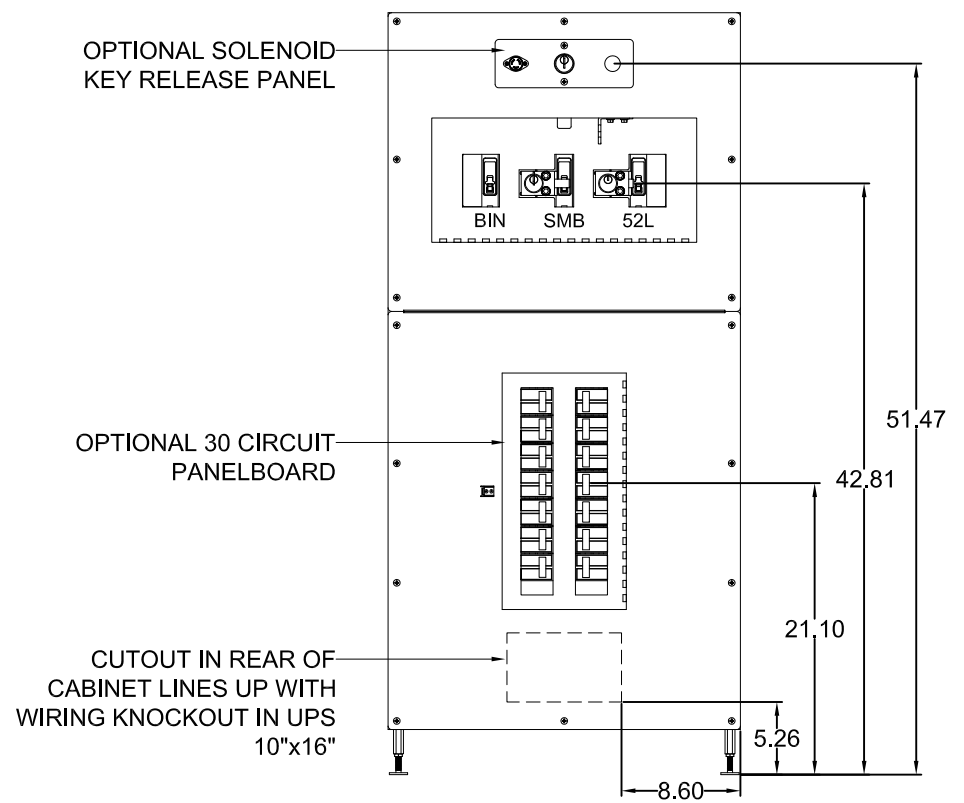
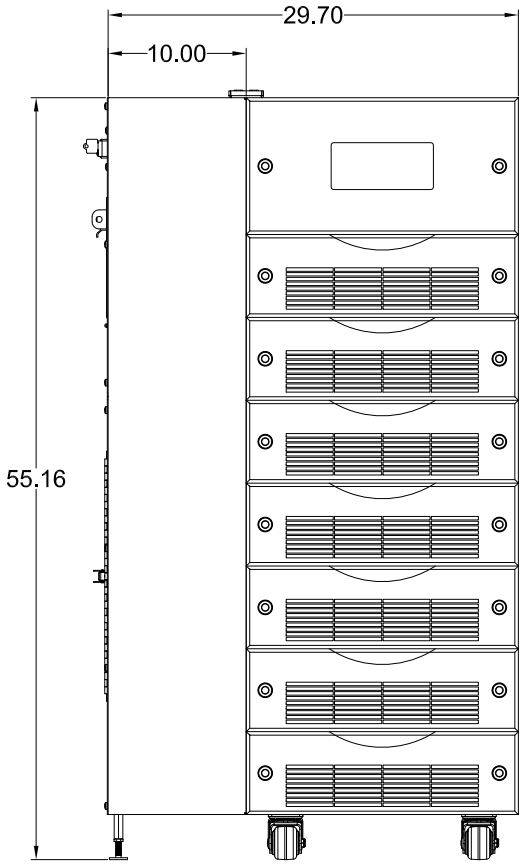


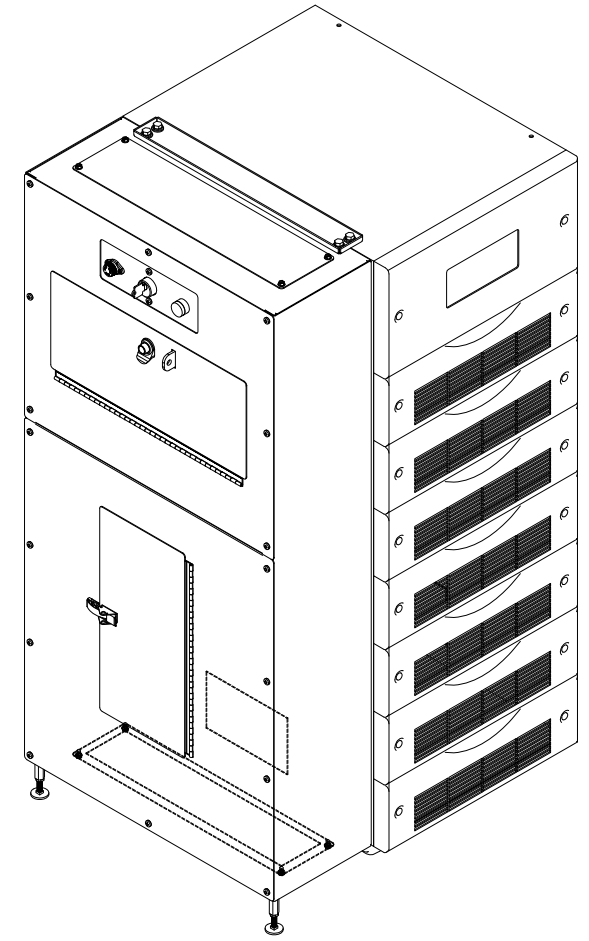
TOP VIEW



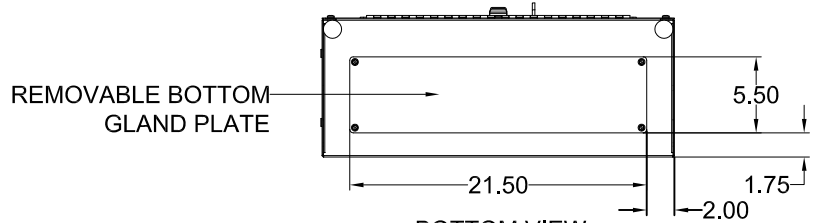
FRONT VIEW (DOORS REMOVED)



RIGHT SIDE VIEW (MITSUBISHI 1100 SERIES UPS SHOWN FOR REFERENCE)



ISOMETRIC VIEW



BOTTOM VIEW

PART NUMBER BREAK DOWN

UD100167-50-C3KNN0

- PRIMARY VOLTAGE 0 NO TRANSFORMER
- INPUT TRANSFORMER N NONE
- OUTPUT DISTRIBUTION N NONE M 30 POLE PANEL
- INTERLOCK TYPE K KIRK KEY SCHEME E SKRU SCHEME
- NUMBER OF BREAKERS 3
- BREAKER MANUFACTURER C CUTLER HAMMER
- KVA

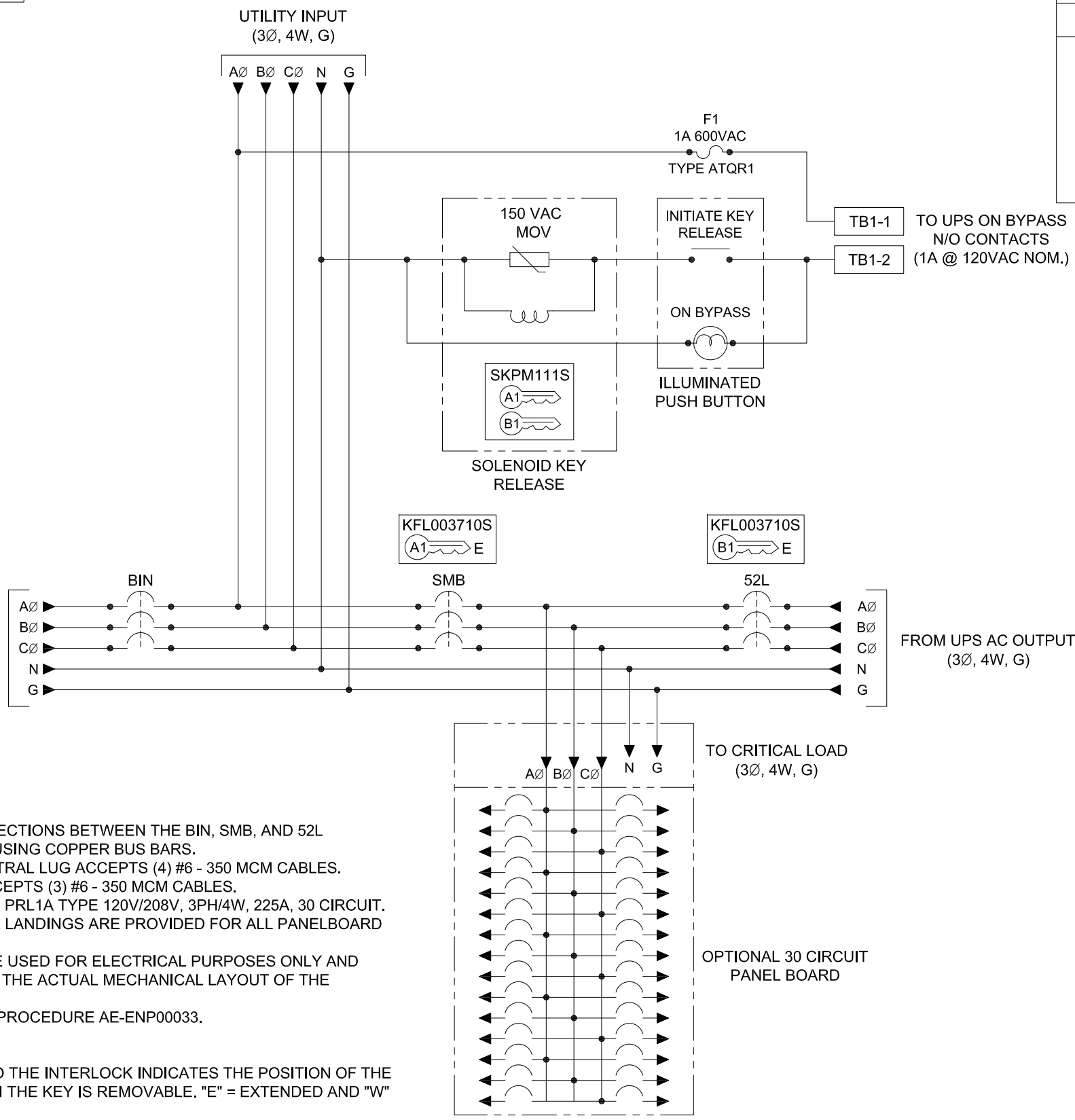
- NOTES:
APPROXIMATE WEIGHT: 160 LBS. (UPS WEIGHT NOT INCLUDED)
1. ASSEMBLY IS UL LISTED TO UL 891.
 2. NEMA 1 TYPE ENCLOSURE.
 3. THE CABINET IS CONSTRUCTED FROM GALVANIZED STEEL.
 4. FINISH IS N1.5 (BLACK) POWDER COAT ON ALL EXTERNAL AND VISIBLE SURFACES, INTERIOR PANELS AND MOUNT BRACKETS ARE GALVANIZED FINISH.
 5. SUPPLIED WITH MOUNTING BRACKET AND HARDWARE TO MOUNT UNIT TO LEFT OR RIGHT SIDE OF THE UPS.
 6. A MINIMUM CLEARANCE OF 36" IS REQUIRED AT THE FRONT OF THE CABINET.

REVISIONS
0 - INITIAL RELEASE EGF 9-5-12
1 - REVISED DIMENSIONS EGF 10-5-12
2 - REVISED SCHEMATIC EGF 1-9-13

DWG. No. UD-100167	SCALE: NTS	DRAFTER: E. FALK	DATE: 10/05/12	<p>MITSUBISHI ELECTRIC POWER PRODUCTS, INC. WARRENDALE, PA.</p>
FILE LOCATION:		CHECKED: M. MEINERT	DATE: 10/05/12	
		ENGINEER: E. FALK	DATE: 10/05/12	
		APPROVED: K. BEAMER	DATE: 10/05/12	
<p>THIS DRAWING CONTAINS PROPRIETARY AND CONFIDENTIAL INFORMATION OF C&C POWER, INC. AND HAS BEEN PREPARED FOR THE USE OF MITSUBISHI ELECTRIC POWER PRODUCTS, INC. FOR USE IN CONJUNCTION WITH EQUIPMENT PROVIDED BY C&C POWER, INC. UNAUTHORIZED REPRODUCTION, IN WHOLE OR IN PART, WITHOUT WRITTEN PERMISSION OF C&C POWER, INC. IS PROHIBITED. © 2012 C&C POWER, INC.</p>				<p>TITLE: 1100 SERIES PERIPHERALS 3 BREAKER BYPASS AND DISTRIBUTION</p>
				<p>DWG. No. SHEET 1 OF 2</p>
				<p>REV: 2</p>

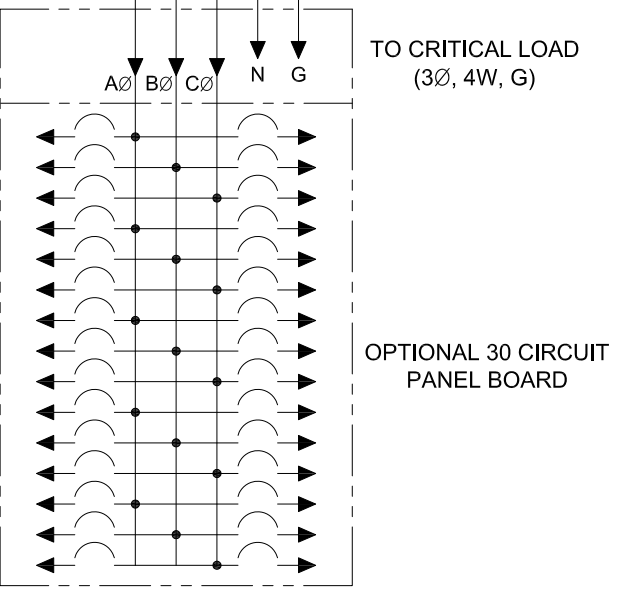
MAINTENANCE BYPASS CIRCUIT BREAKER SUMMARY

BREAKER TYPE	UPS KVA	BREAKER MODEL	TRIP	AIC	WIRE RANGE
EATON SERIES C	10	EHD3040	40A	18K @ 240VAC	(1) 14 - 1/0
	20	EHD3080	80A	18K @ 240VAC	(1) 14 - 1/0
	30	EDB3110	110A	22K @ 240VAC	(1) 4 - 4/0
	40	EDB3150	150A	22K @ 240VAC	(1) 4 - 4/0
	50	EDB3200	200A	22K @ 240VAC	(1) 4 - 4/0



- NOTES:
1. ALL ELECTRICAL CONNECTIONS BETWEEN THE BIN, SMB, AND 52L BREAKERS ARE MADE USING COPPER BUS BARS.
 2. 200% RATED MAIN NEUTRAL LUG ACCEPTS (4) #6 - 350 MCM CABLES.
 3. MAIN GROUND LUG ACCEPTS (3) #6 - 350 MCM CABLES.
 4. PANELBOARD IS EATON PRL1A TYPE 120V/208V, 3PH/4W, 225A, 30 CIRCUIT.
 6. GROUND AND NEUTRAL LANDINGS ARE PROVIDED FOR ALL PANELBOARD CIRCUITS.
 7. THIS DRAWING IS TO BE USED FOR ELECTRICAL PURPOSES ONLY AND DOES NOT REPRESENT THE ACTUAL MECHANICAL LAYOUT OF THE EQUIPMENT.
 8. REFER TO OPERATION PROCEDURE AE-ENP00033.

- KIRK KEY NOTES:
1. THE "E" OR "W" NEXT TO THE INTERLOCK INDICATES THE POSITION OF THE INTERLOCK BOLT WHEN THE KEY IS REMOVABLE. "E" = EXTENDED AND "W" = WITHDRAWN.
 2. THE KEY OR KEYS NEXT TO THE INTERLOCK INDICATES THE KEY NUMBER THAT FUNCTIONS WITH THE INTERLOCK.



REVISIONS	DWG. IN: INCHES	SCALE: NTS	DRAFTER: CH	DATE: 08/15/12	<p>MITSUBISHI ELECTRIC POWER PRODUCTS, INC. WARRENDALE, PA.</p> <p>TITLE: 1100 SERIES PERIPHERAL 3 BREAKER BYPASS AND DISTRIBUTION</p> <p>DWG No. UD-100167 SHEET 2 OF 2</p>	
	<small>THIS DRAWING CONTAINS PROPRIETARY AND CONFIDENTIAL INFORMATION OF C&C POWER, INC. AND HAS BEEN PREPARED FOR THE USE OF MITSUBISHI ELECTRIC POWER PRODUCTS, INC. FOR USE IN CONJUNCTION WITH EQUIPMENT PROVIDED BY C&C POWER, INC. UNAUTHORIZED REPRODUCTION, IN WHOLE OR IN PART, WITHOUT WRITTEN PERMISSION OF C&C POWER, INC. IS PROHIBITED. © 2012 C&C POWER, INC.</small>					CHECKED: -
	REF. DWG. No.			ENGINEER: -		DATE: -
				APPROVED: -		DATE: -
	FILE LOCATION:					
					REV: 2	