

MITSUBISHI 9900 AEGIS SERIES 225KVA UPS SALES DRAWING

PROJECT -

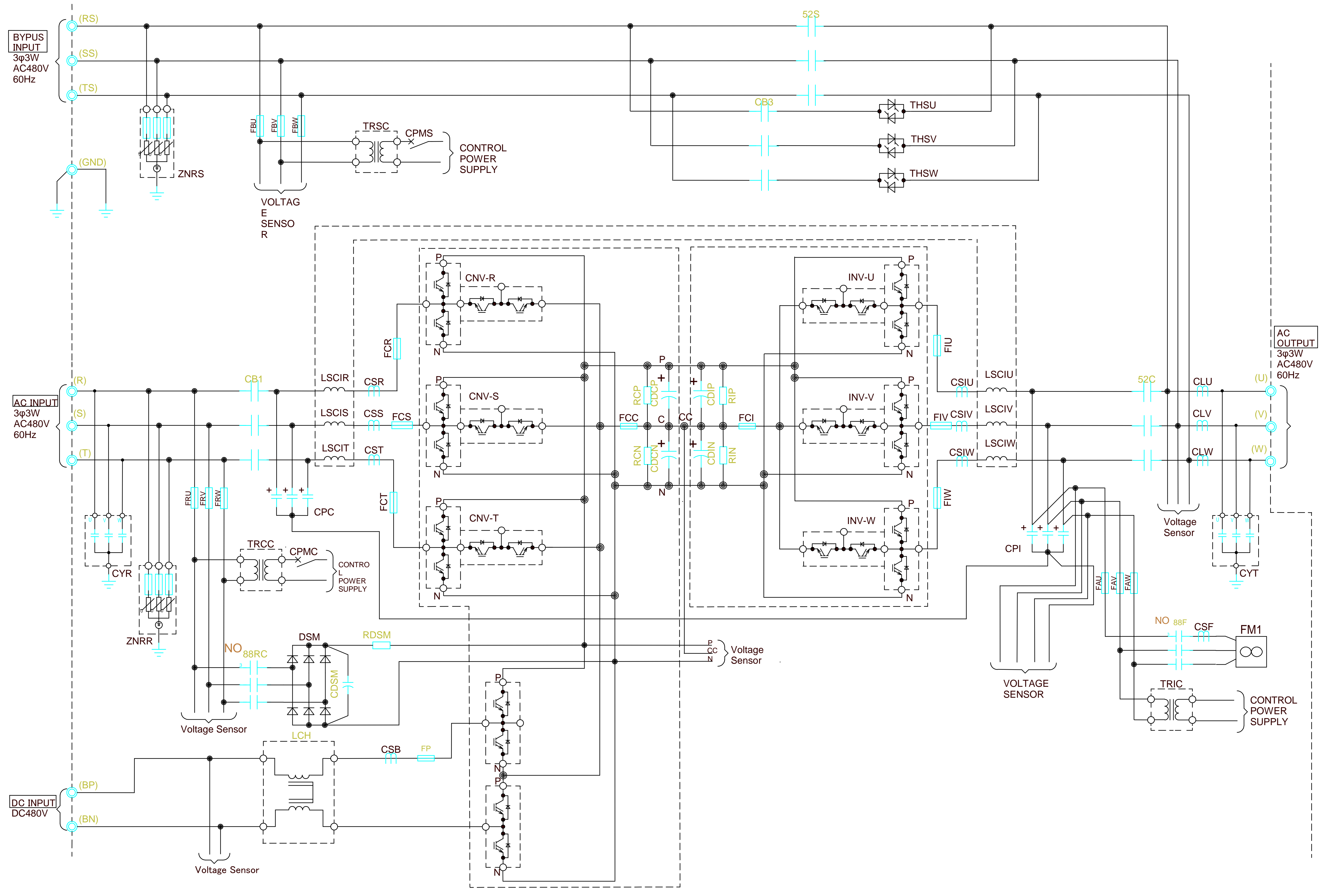
CUSTOMER -

TABLE OF CONTENTS

SHEET NO.	TITLE			
1	COVER SHEET			
2	SYSTEM CONFIGURATION			
3	SINGLE LINE DIAGRAM			
4	UPS OUTLINE-1			
5	UPS OUTLINE-2			
6	UPS CONNECTION DIAGRAM			

REVISIONS	DATE	BY	DESCRIPTION
0. RELEASED	7/10/2017	Z.ZAJAC	
1. ANCHORING DIMENSIONS REVISED	3/16/2018	J.MENDEZ	
2. UPDATED 65KAIC WEIGHT (NOTE 4)	3/14/2018	J.LIEBERT	
3. UPDATED DIMENSIONS PER ECN 702	3/16/2018	Z.ZAJAC	
4. UPDATED DIMENSIONS	3/21/2018	J.MENDEZ	
5. ADDED HEAT REJECTION VALUES; UPDATED PER ECN 1429	8/7/2019	Z.ZAJAC	

<table border="1" style="width: 100%; border-collapse: collapse;"> <thead> <tr> <th>FABRICATION TOLERANCE</th> <th>TOLERANCE</th> </tr> </thead> <tbody> <tr> <td>NOMINAL SIZE</td> <td>±0.01"</td> </tr> <tr> <td>ANGLES</td> <td>±0.01</td> </tr> <tr> <td>HOLE TO MATERIAL EDGE</td> <td>±0.01</td> </tr> <tr> <td>HOLE TO FORMED EDGE</td> <td>±0.01</td> </tr> <tr> <td>HOLE TO HOLE</td> <td>±0.005</td> </tr> <tr> <td>FORMED EDGE TO FORMED EDGE</td> <td>±0.01</td> </tr> <tr> <td>FORMED EDGE TO WELDED EDGE < 48.0</td> <td>±0.03</td> </tr> <tr> <td>FORMED EDGE TO WELDED EDGE > 48.0</td> <td>±0.06</td> </tr> <tr> <td>PANEL DISTORTION OVER 48.0in</td> <td>0.03 MAX</td> </tr> </tbody> </table>	FABRICATION TOLERANCE	TOLERANCE	NOMINAL SIZE	±0.01"	ANGLES	±0.01	HOLE TO MATERIAL EDGE	±0.01	HOLE TO FORMED EDGE	±0.01	HOLE TO HOLE	±0.005	FORMED EDGE TO FORMED EDGE	±0.01	FORMED EDGE TO WELDED EDGE < 48.0	±0.03	FORMED EDGE TO WELDED EDGE > 48.0	±0.06	PANEL DISTORTION OVER 48.0in	0.03 MAX	<table border="1" style="width: 100%; border-collapse: collapse;"> <thead> <tr> <th>DIMENSIONS IN:</th> <th>SCALE</th> </tr> </thead> <tbody> <tr> <td>IN [MM] REF </td> <td></td> </tr> </tbody> </table>	DIMENSIONS IN:	SCALE	IN [MM] REF		<table border="1" style="width: 100%; border-collapse: collapse;"> <thead> <tr> <th>DRAFTER</th> <th>DATE</th> </tr> </thead> <tbody> <tr> <td>Z.ZAJAC</td> <td>7/6/17</td> </tr> <tr> <th>APPROVED</th> <th>DATE</th> </tr> <tr> <td>N.RIEMER</td> <td>7/6/17</td> </tr> </tbody> </table>	DRAFTER	DATE	Z.ZAJAC	7/6/17	APPROVED	DATE	N.RIEMER	7/6/17	<p style="text-align: center;">PROPRIETARY</p> <p style="font-size: 8px;">This document is the property of Mitsubishi Electric Power Products, Inc. and contains proprietary and confidential information which must not be duplicated, used or disclosed other than as expressly authorized by Mitsubishi Electric Power Products, Inc.</p>	<p>MITSUBISHI ELECTRIC</p>	<table border="1" style="width: 100%; border-collapse: collapse;"> <thead> <tr> <th>TITLE</th> <th>DWG. NO.</th> <th>SHEET 1 OF 6</th> <th>REV.</th> </tr> </thead> <tbody> <tr> <td style="text-align: center;">9900 AEGIS 225KVA</td> <td style="text-align: center;">UD-100654</td> <td style="text-align: center;">5</td> <td style="text-align: center;">5</td> </tr> </tbody> </table>	TITLE	DWG. NO.	SHEET 1 OF 6	REV.	9900 AEGIS 225KVA	UD-100654	5	5
FABRICATION TOLERANCE	TOLERANCE																																												
NOMINAL SIZE	±0.01"																																												
ANGLES	±0.01																																												
HOLE TO MATERIAL EDGE	±0.01																																												
HOLE TO FORMED EDGE	±0.01																																												
HOLE TO HOLE	±0.005																																												
FORMED EDGE TO FORMED EDGE	±0.01																																												
FORMED EDGE TO WELDED EDGE < 48.0	±0.03																																												
FORMED EDGE TO WELDED EDGE > 48.0	±0.06																																												
PANEL DISTORTION OVER 48.0in	0.03 MAX																																												
DIMENSIONS IN:	SCALE																																												
IN [MM] REF																																													
DRAFTER	DATE																																												
Z.ZAJAC	7/6/17																																												
APPROVED	DATE																																												
N.RIEMER	7/6/17																																												
TITLE	DWG. NO.	SHEET 1 OF 6	REV.																																										
9900 AEGIS 225KVA	UD-100654	5	5																																										



REVISIONS
0. RELEASED Z.ZAJAC 7/10/2017
1. ANCHORING DIMENSIONS REVISED J.MENDEZ 3/6/2018
2. UPDATED 65KA I.C WEIGHT (NOTE 4) J.LIEBERT 3/7/4/2018
3. UPDATED DIMENSIONS PER ECN 702 Z.ZAJAC 3/16/2018
4. UPDATED DIMENSIONS J.MENDEZ 3/21/2018
5. ADDED HEAT REJECTION VALUES; UPDATED PER ECN 1429 Z.ZAJAC 8/7/2019

FABRICATION TOLERANCE	TOLERANCE
NOMINAL SIZE	
ANGLES	±0.01°
HOLE TO MATERIAL EDGE	±0.01
HOLE TO FORMED EDGE	±0.01
HOLE TO HOLE	±0.005
FORMED EDGE TO FORMED EDGE	±0.01
FORMED EDGE TO WELDED EDGE < 48.0	±0.03
FORMED EDGE TO WELDED EDGE > 48.0	±0.06
PANEL DISTORTION OVER 48.0in	0.03 MAX

DIMENSIONS IN:	SCALE
IN [MM]	REF

PROPRIETARY
This document is the property of Mitsubishi Electric Power Products, Inc. and contains proprietary and confidential information which must not be duplicated, used or disclosed other than as expressly authorized by Mitsubishi Electric Power Products, Inc.

DRAFTER Z.ZAJAC	DATE 7/6/17
APPROVED N.RIEMER	DATE 7/6/17

MITSUBISHI ELECTRIC

TITLE
9900 AEGIS 225KVA

DWG. NO. UD-100654 SHEET 2 OF 6 REV. 5

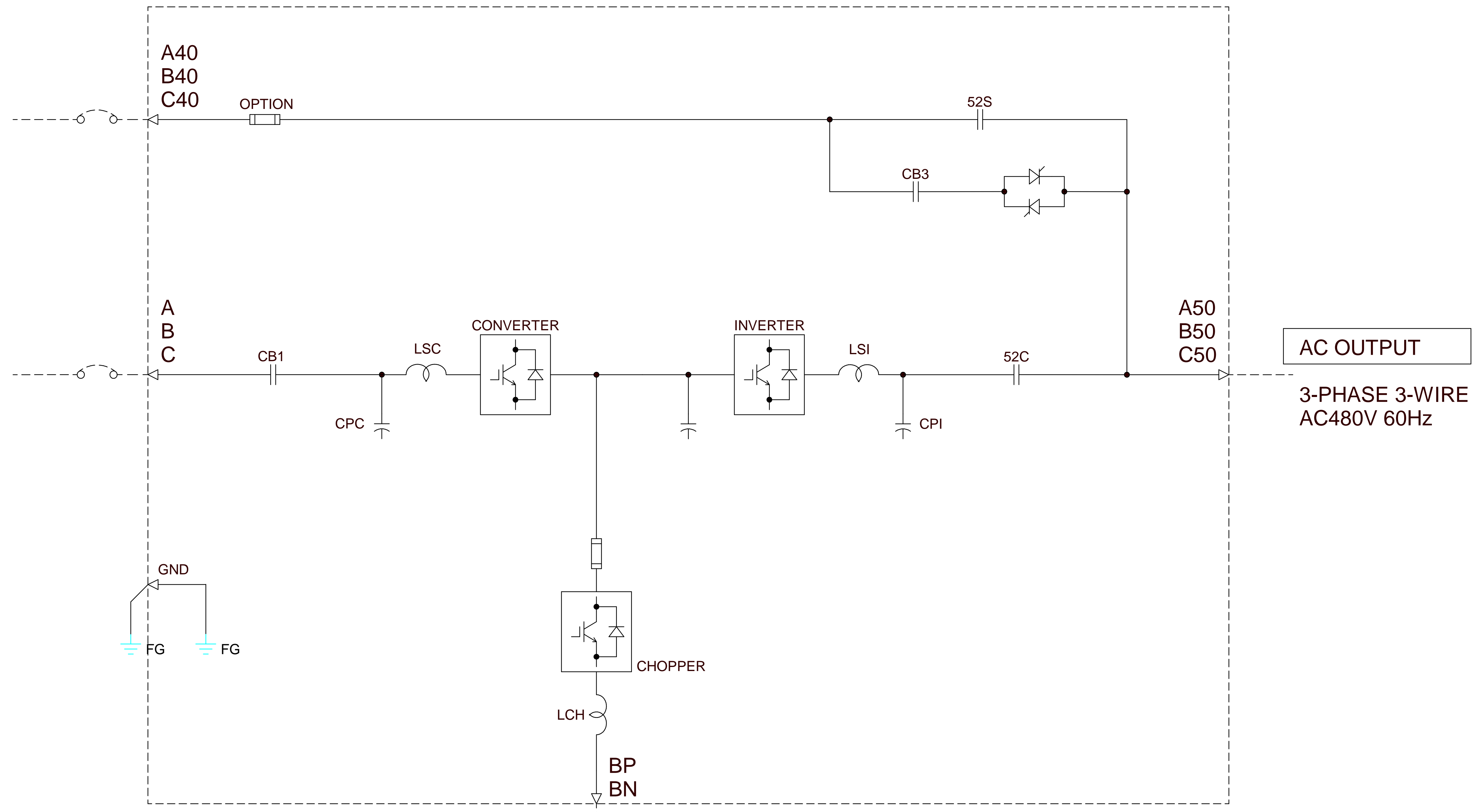
225kVA 203kW UPS

BYPASS INPUT

3-PHASE 3-WIRE
AC480V 60Hz

AC INPUT

3-PHASE 3-WIRE
AC480V 60Hz

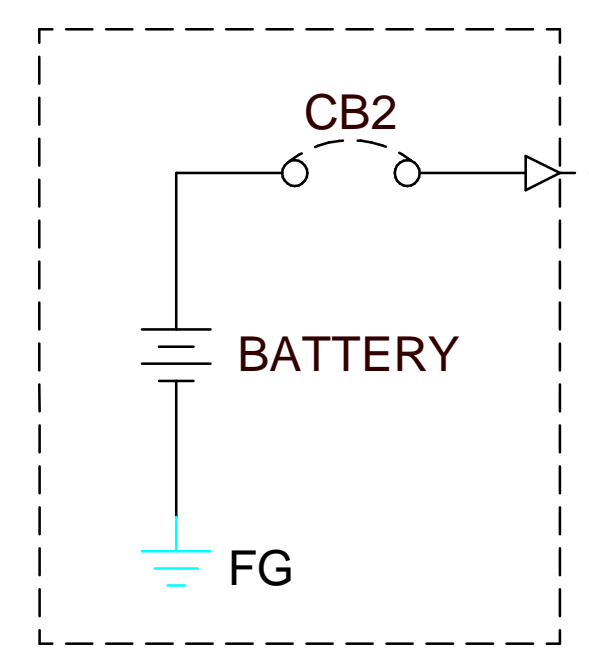


AC OUTPUT

3-PHASE 3-WIRE
AC480V 60Hz

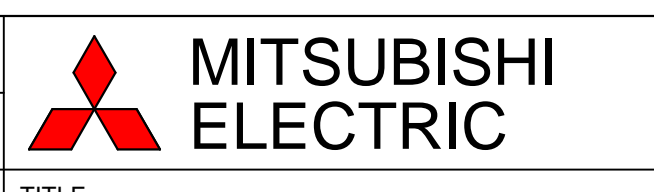
DC INPUT

Nominal Voltage 480V
Final Voltage 400V

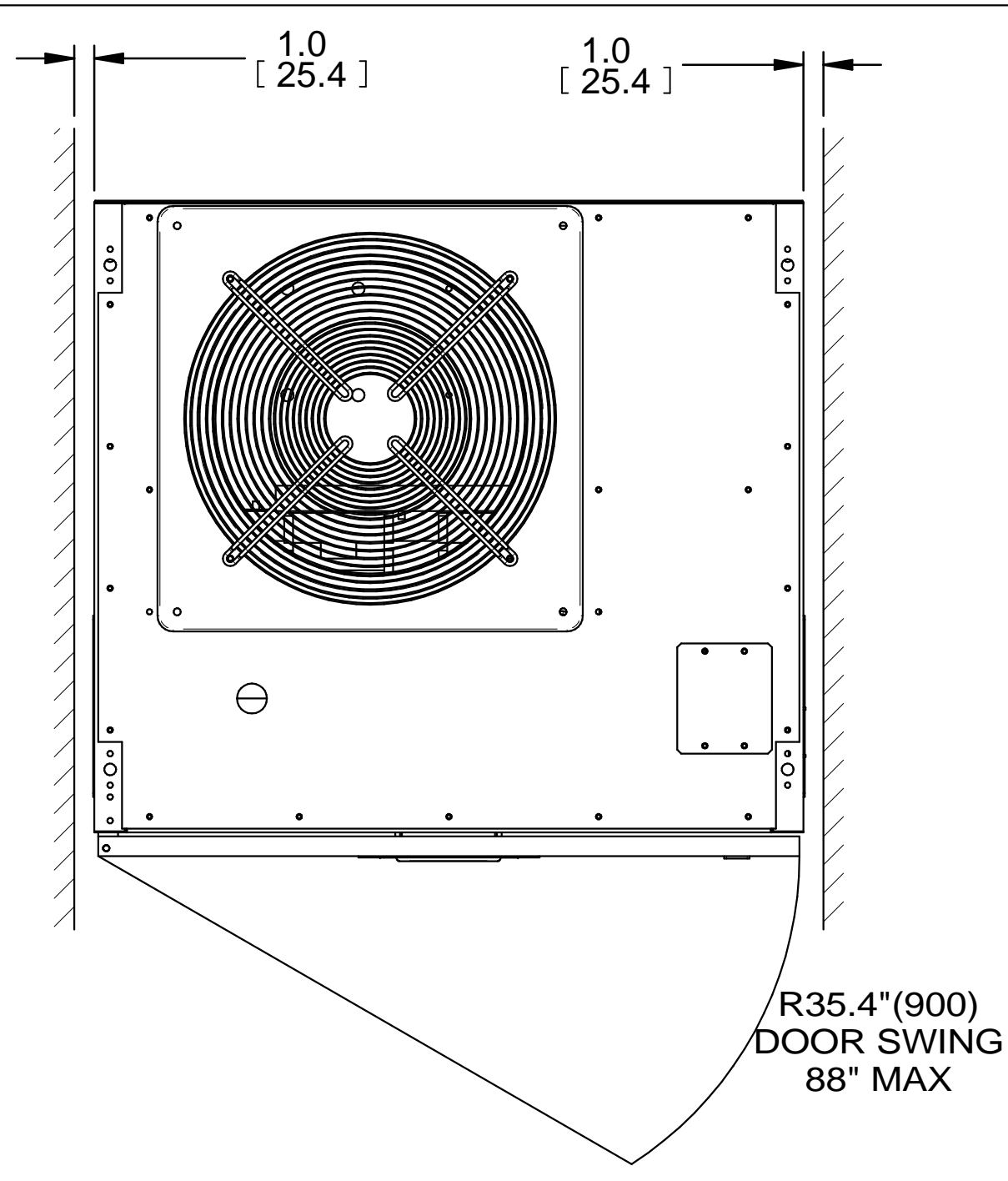
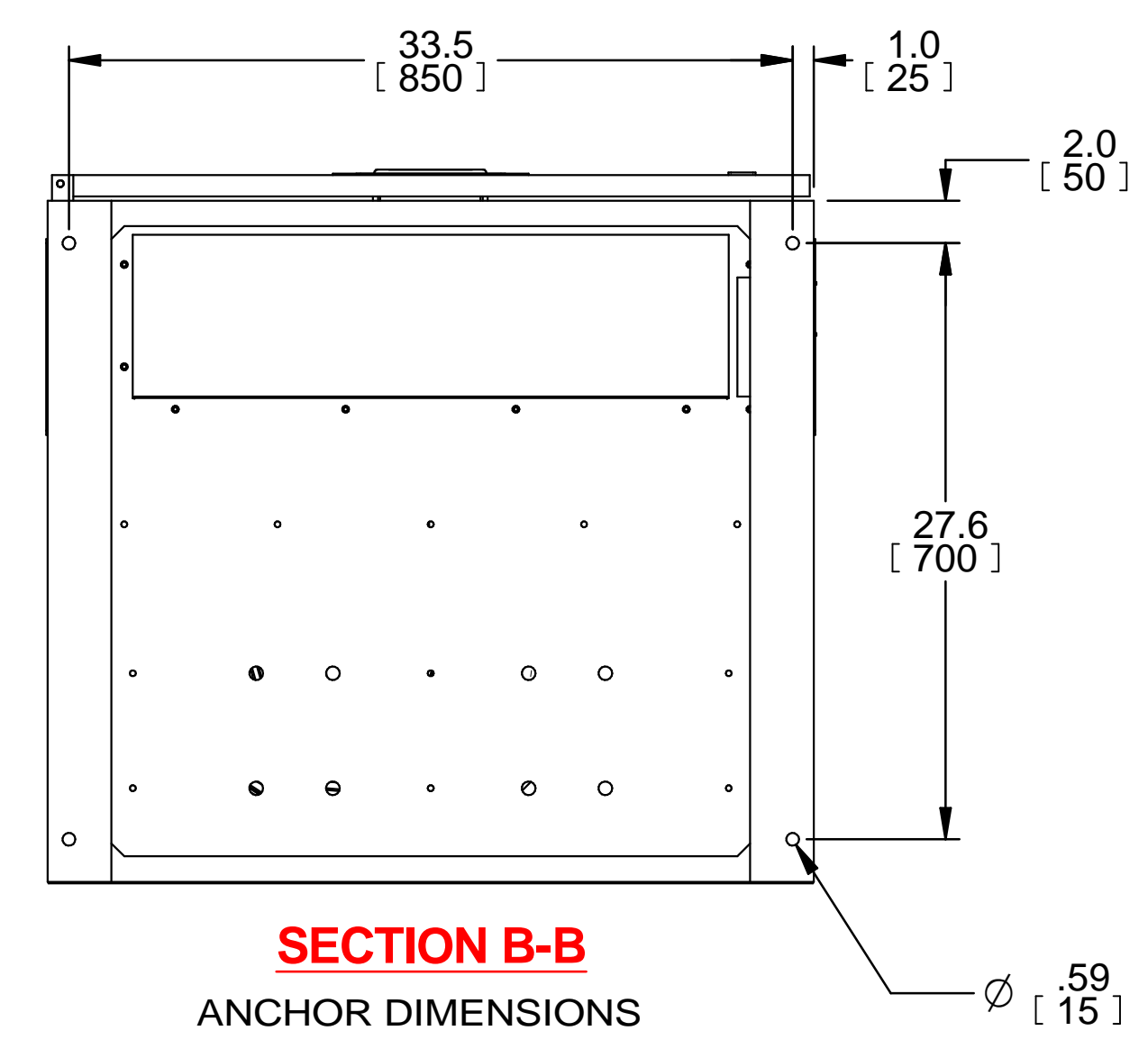


REVISIONS	DATE	BY
0. RELEASED	7/10/2017	Z.ZAJAC
1. ANCHORING DIMENSIONS REVISED	3/16/2018	J.MENDEZ
2. UPDATED 65KA IEC WEIGHT (NOTE 4)	3/7/4/2018	J.LIEBERT
3. UPDATED DIMENSIONS PER ECN 702	3/16/2018	Z.ZAJAC
4. UPDATED DIMENSIONS	3/21/2018	J.MENDEZ
5. ADDED HEAT REJECTION VALUES; UPDATED PER ECN 1429	8/7/2019	Z.ZAJAC

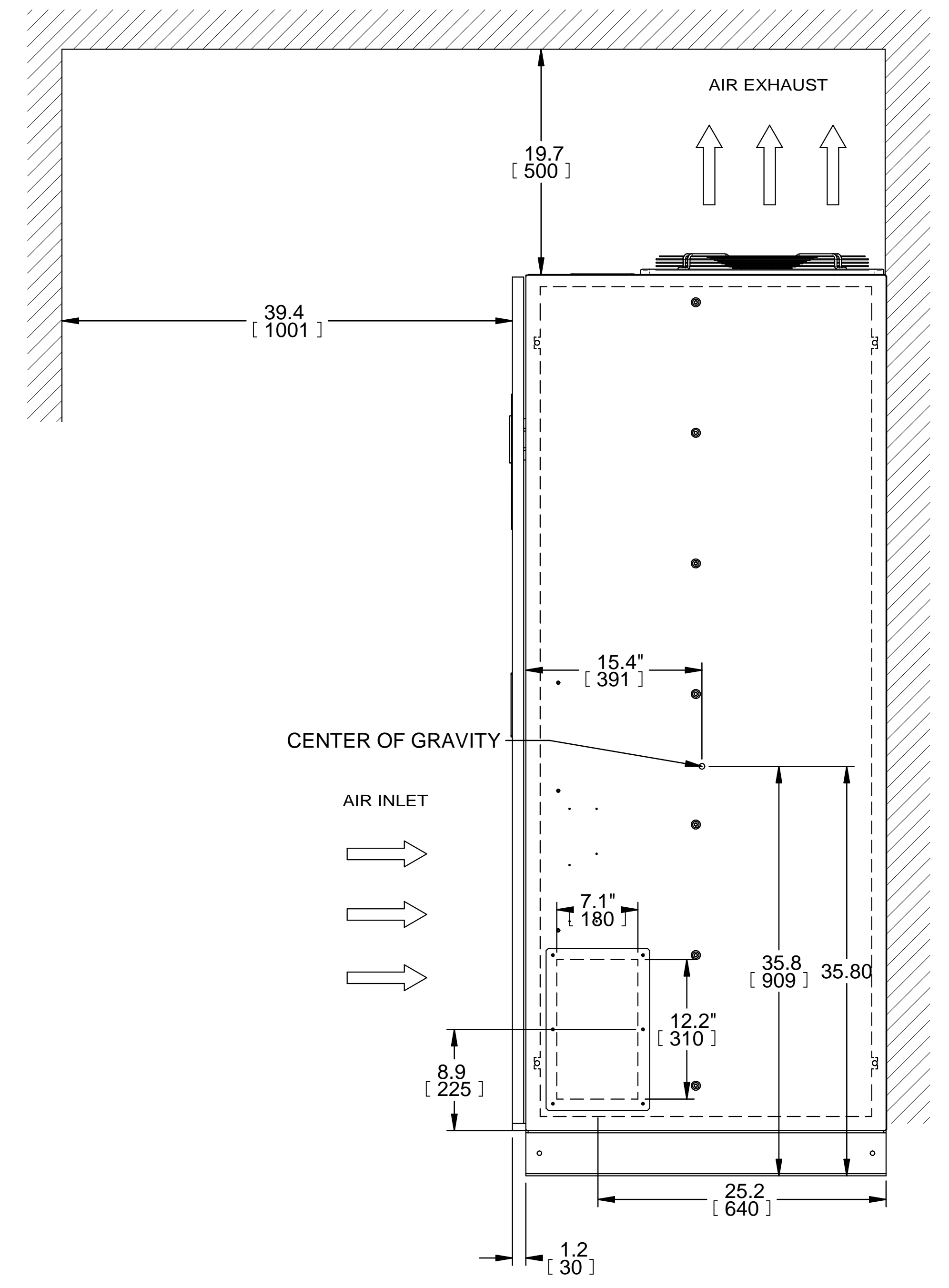
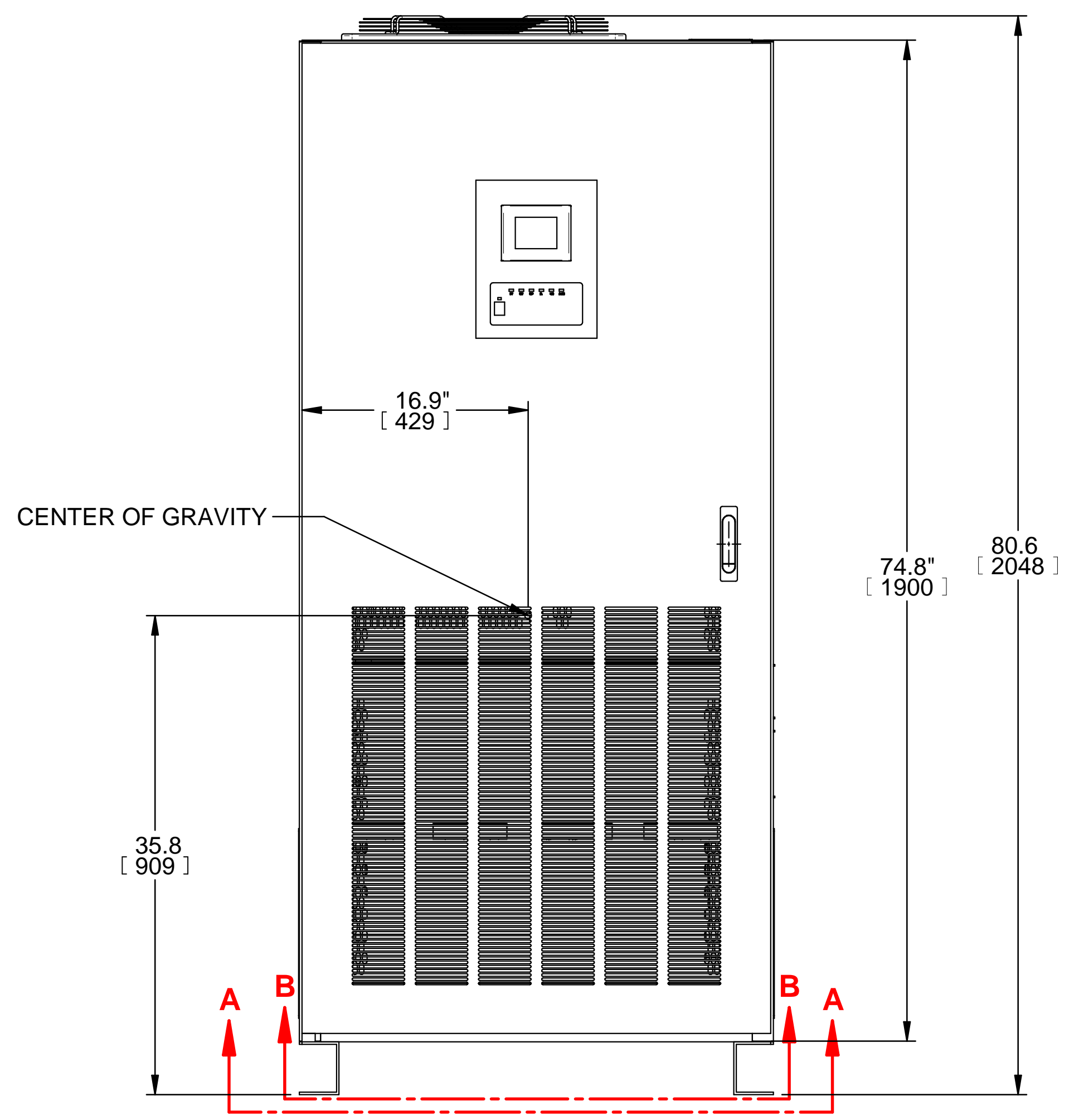
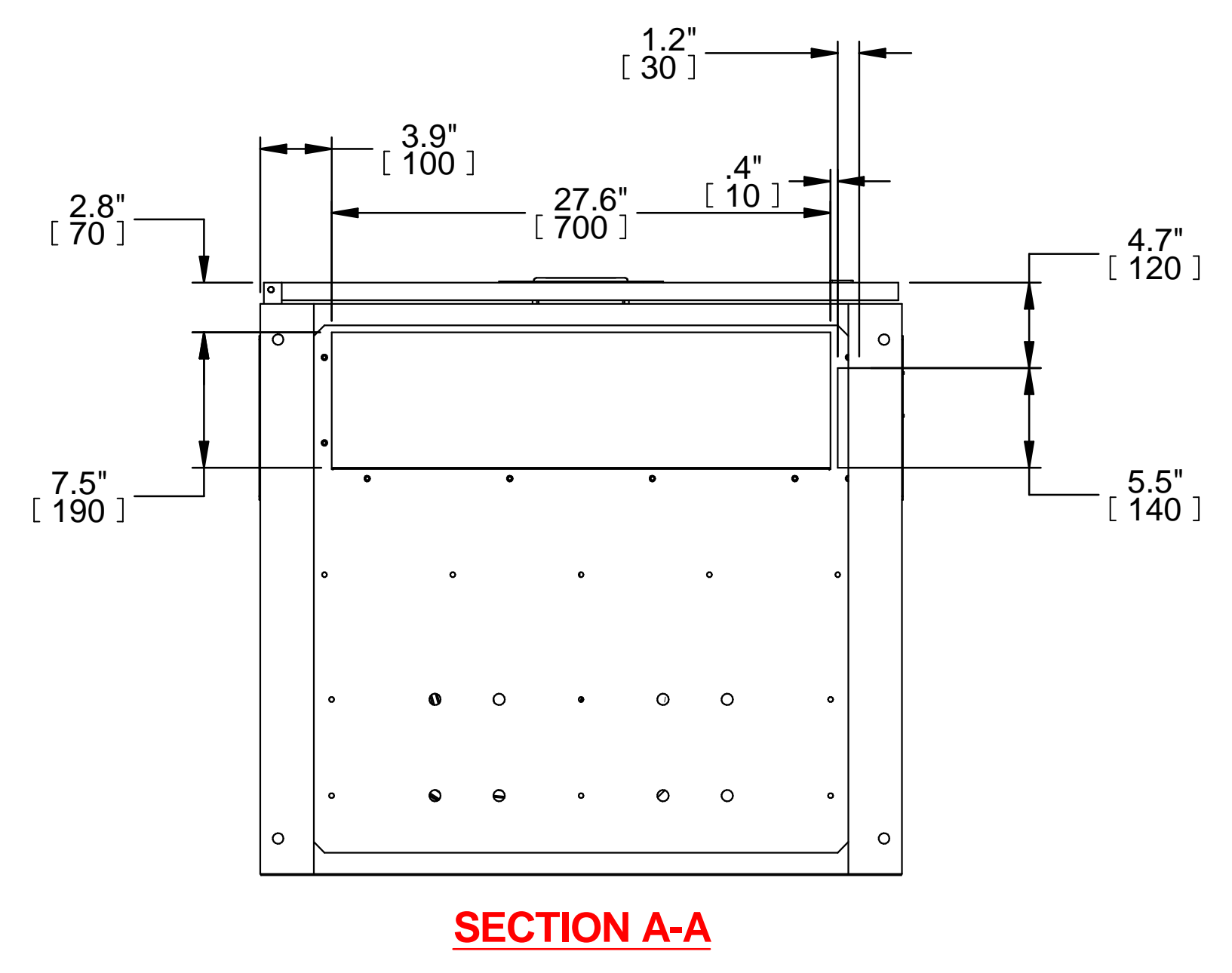
FABRICATION TOLERANCE		DIMENSIONS IN:		SCALE	DRAFTER Z.ZAJAC	DATE 7/6/17
NOMINAL SIZE	TOLERANCE	IN	[MM] REF			
ANGLES	±0.01°	PROPRIETARY		This document is the property of Mitsubishi Electric Power Products, Inc. and contains proprietary and confidential information which must not be duplicated, used or disclosed other than as expressly authorized by Mitsubishi Electric Power Products, Inc.	APPROVED	DATE
HOLE TO MATERIAL EDGE	±0.01				N.RIEMER	7/6/17
HOLE TO FORMED EDGE	±0.01				CORE [REFERENCE] DRAWING if there is a core drawing insert that here	
HOLE TO HOLE	±0.005				TITLE	
FORMED EDGE TO FORMED EDGE	±0.01				9900 AEGIS 225KVA	
FORMED EDGE TO WELDED EDGE < 48.0	±0.03				DWG. NO. UD-100654 SHEET 3 OF 6 REV. 5	
FORMED EDGE TO WELDED EDGE > 48.0	±0.06					
PANEL DISTORTION OVER 48.0in	0.03 MAX					



MITSUBISHI ELECTRIC



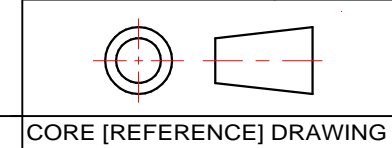
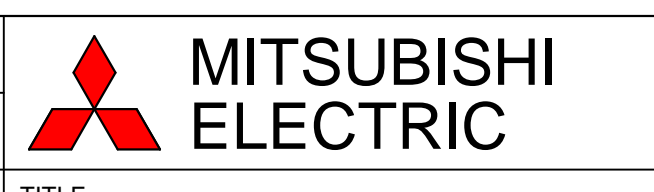
- NOTES**
1. DIMENSIONS ARE SHOWN IN INCHES (MILLIMETERS)
 2. SIDE SPACE ' 1"(25) ' IS NOT REQUIRED WHEN SIDECARS ARE USED.
 3. CABINET SHOULD BE MAINTAINED UPRIGHT WITHIN ±15° DURING HANDLING.
 4. APPROXIMATE WEIGHTS:
 225KVA BASE UNIT : 1080 LBS (480KG)
 225KVA 65KAIC UNIT: 1094 LBS (496KG)
 5. HEAT REJECTION VALUE:
 11.4 KBTU/HR @ 50%
 16.6 KBTU/HR @ 75%
 22.8 KBTU/HR @ 100%



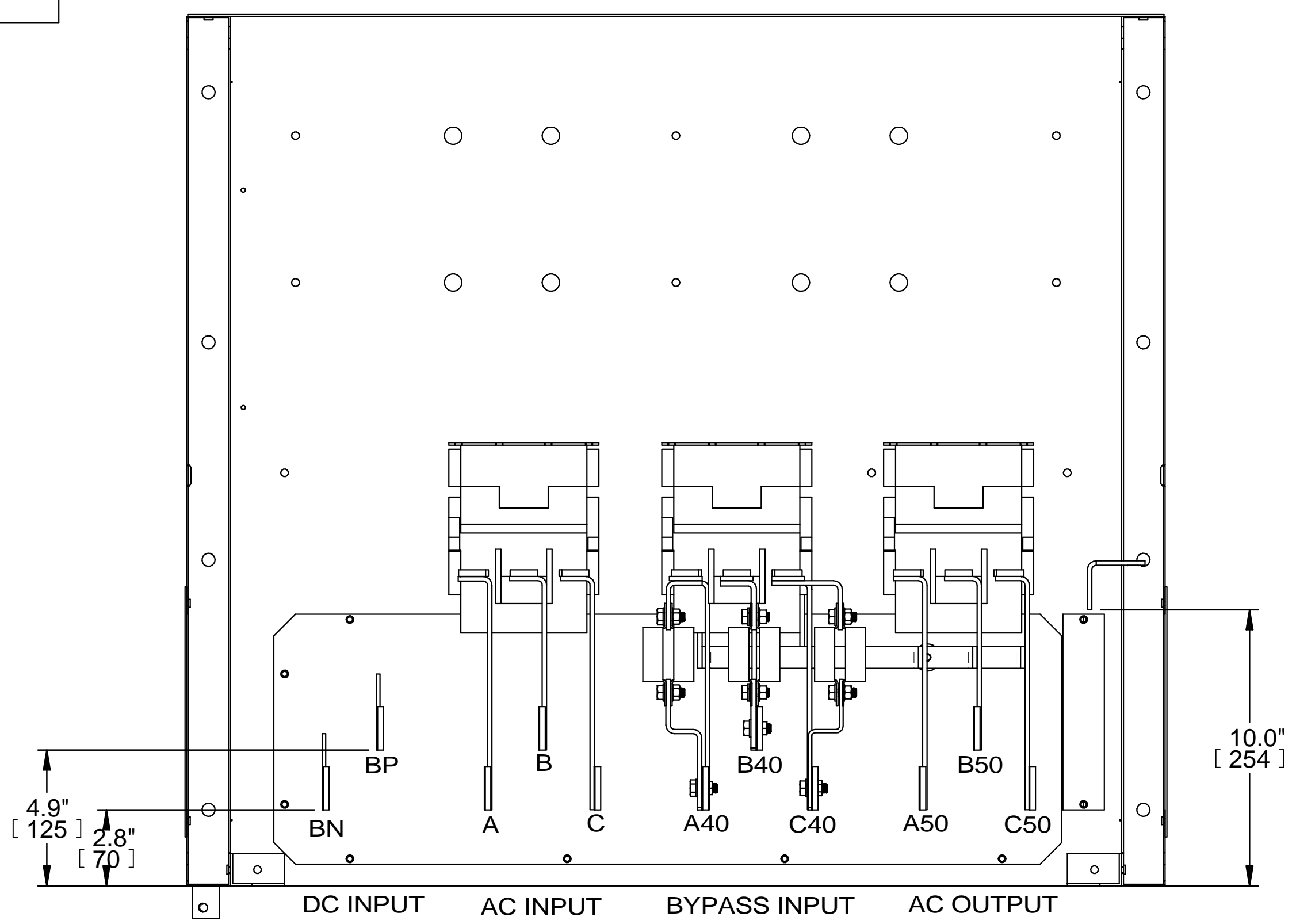
REVISIONS	DATE	BY	DESCRIPTION
0. RELEASED	7/10/2017	Z.ZAJAC	
1. ANCHORING DIMENSIONS REVISED	7/10/2017	Z.ZAJAC	
2. UPDATED 65KAIC WEIGHT (NOTE 4)	3/16/2018	J.MENDEZ	
3. UPDATED DIMENSIONS PER ECN 702	3/16/2018	Z.ZAJAC	
4. UPDATED DIMENSIONS	3/16/2018	Z.ZAJAC	
5. ADDED HEAT REJECTION VALUES; UPDATED PER ECN 1429	8/7/2019	Z.ZAJAC	

FABRICATION TOLERANCE	TOLERANCE	DIMENSIONS IN;	SCALE	DRAFTER	DATE
NOMINAL SIZE		IN [MM] REF	-NTS-	Z.ZAJAC	7/6/17
ANGLES	±0.01°	PROPRIETARY			
HOLE TO MATERIAL EDGE	±0.01	This document is the property of Mitsubishi Electric Power Products, Inc. and contains proprietary and confidential information which must not be duplicated, used or disclosed other than as expressly authorized by Mitsubishi Electric Power Products, Inc.			
HOLE TO FORMED EDGE	±0.01				
HOLE TO HOLE	±0.005				
FORMED EDGE TO FORMED EDGE	±0.01				
FORMED EDGE TO WELDED EDGE < 48.0	±0.03				
FORMED EDGE TO WELDED EDGE > 48.0	±0.06				
PANEL DISTORTION OVER 48.0in	0.03 MAX				

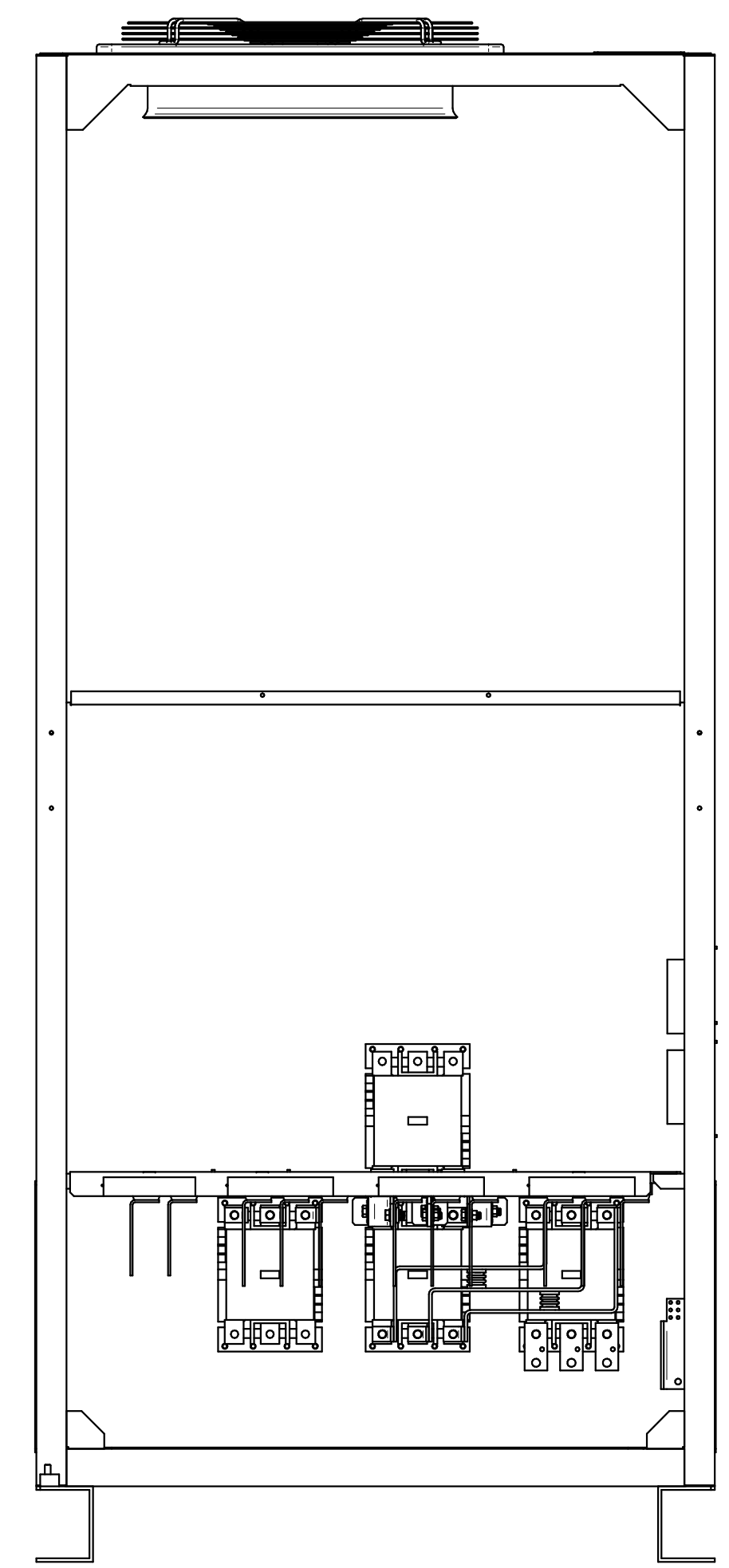
TITLE	DWG. NO.	SHEET 4 OF 6	REV.
9900 AEGIS 225KVA	UD-100654	4	5



CORE [REFERENCE] DRAWING if there is a core drawing insert that here

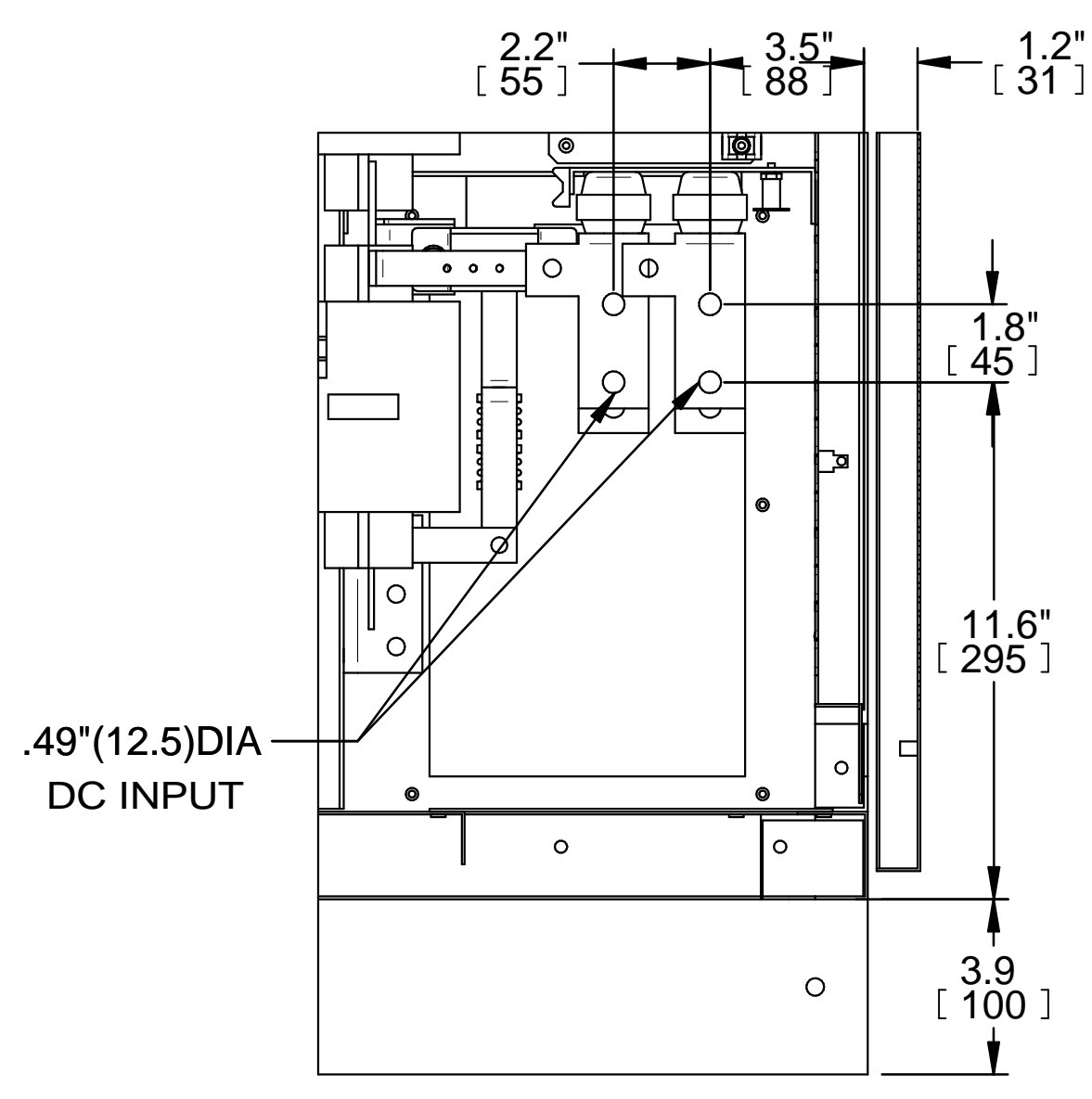
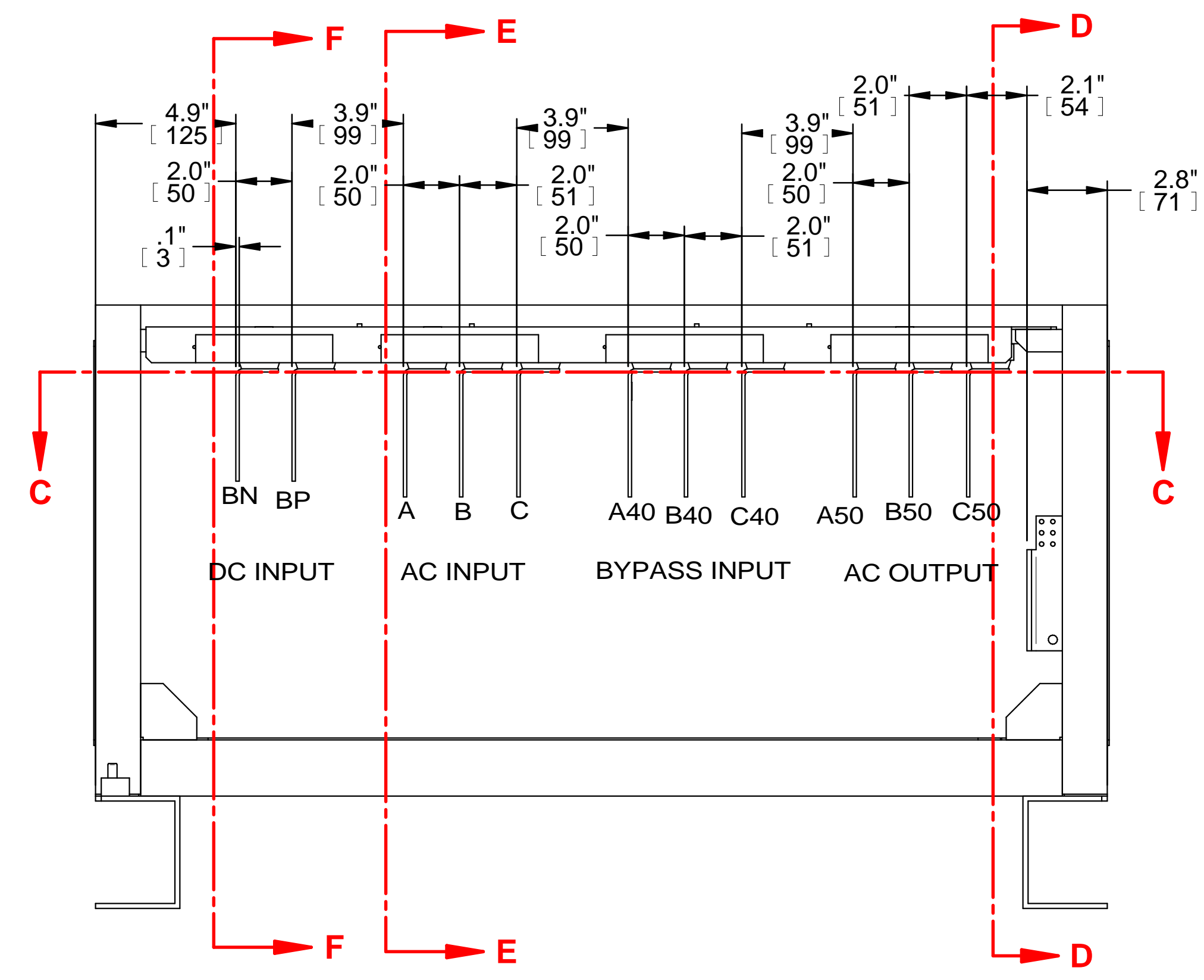


SECTION C-C

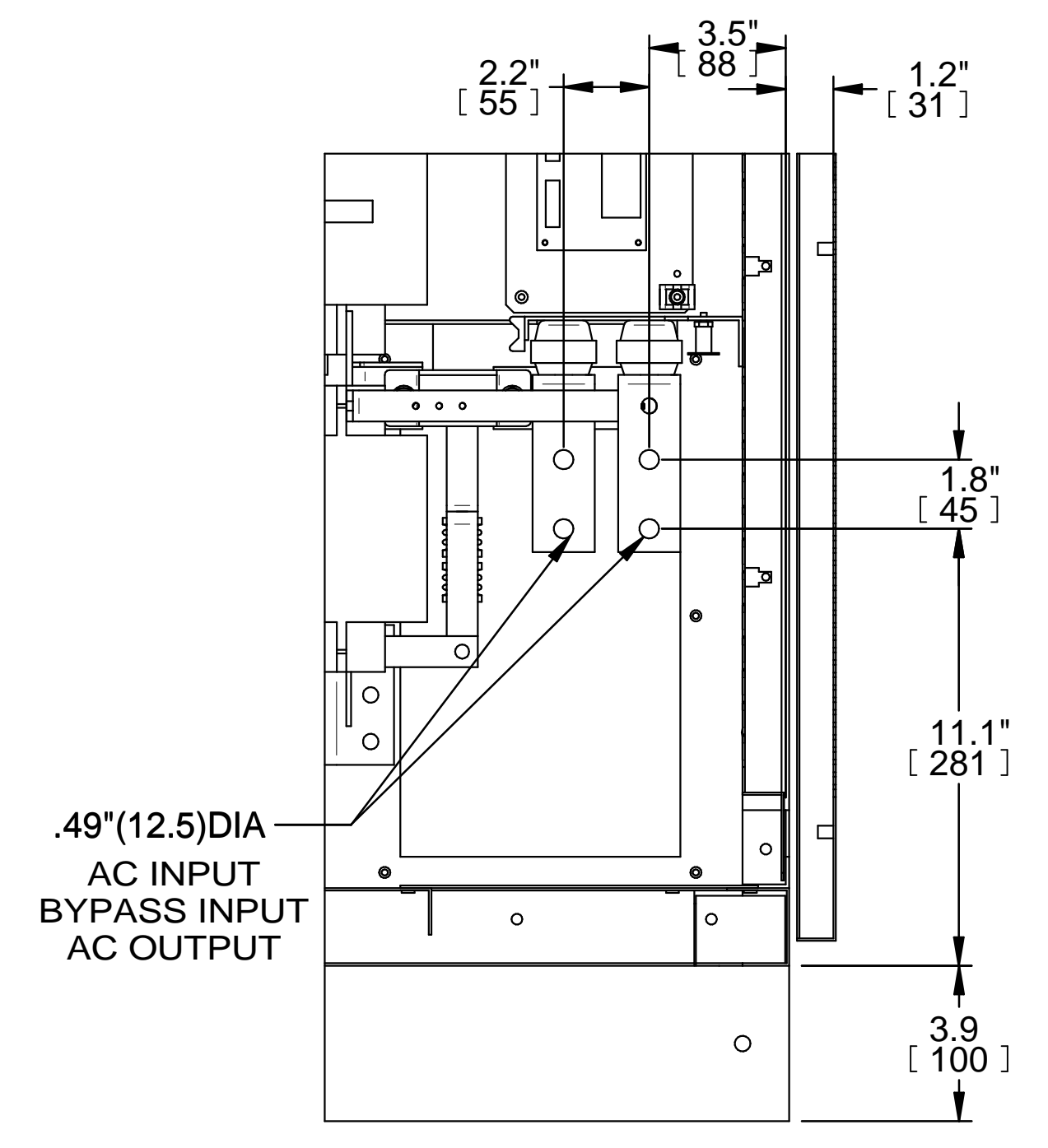


NOTES

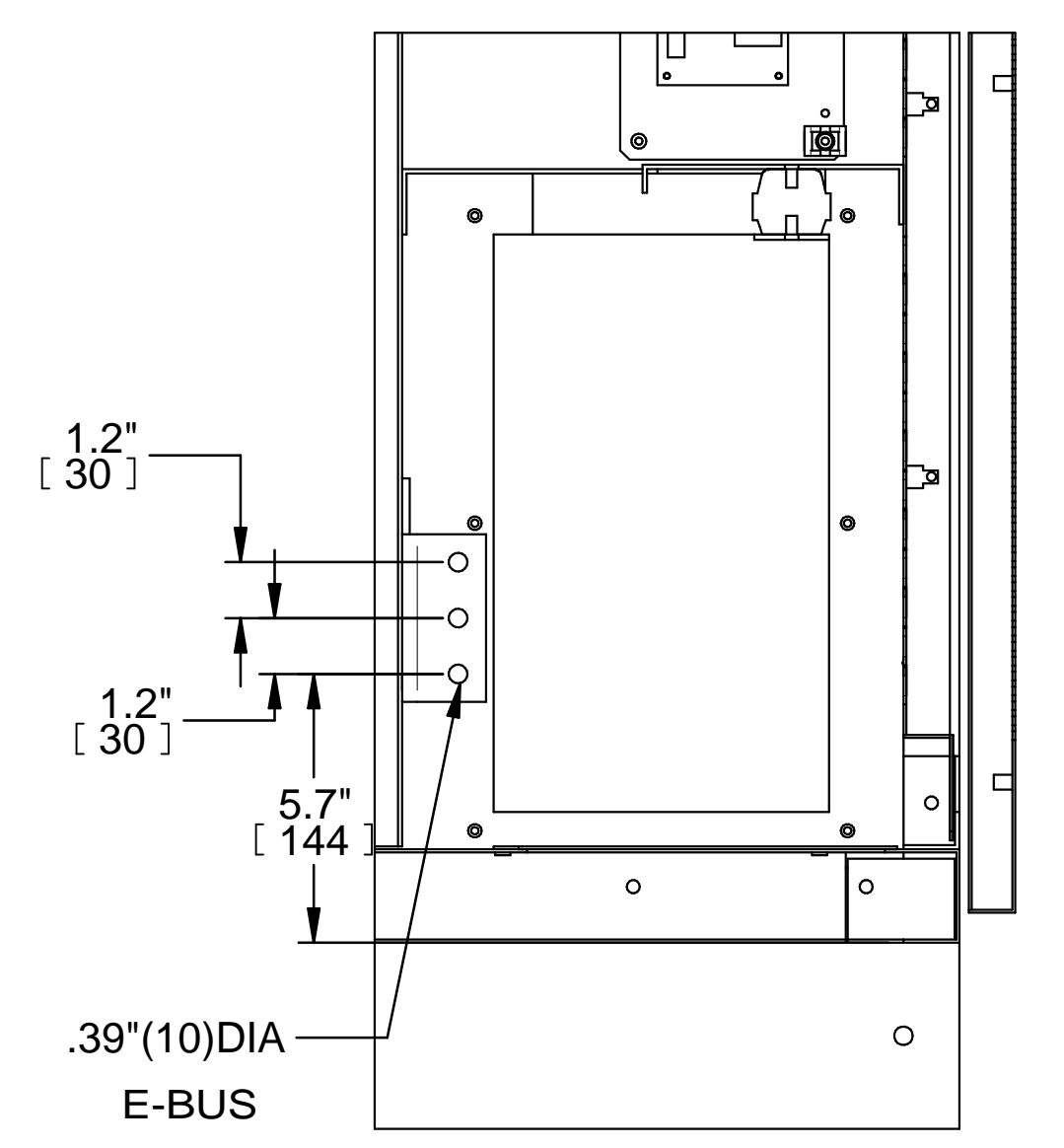
- 6. EXTERNAL WIRING MATERIALS FOR AC INPUT, DC INPUT, BYPASS INPUT, AND AC OUTPUT SHOULD BE SUPPLIED BY CUSTOMER (OUT OF SCOPE OF SUPPLY FROM MITSUBISHI).
- 7. A, B, C CLOCKWISE ROTATION



SECTION F-F



SECTION E-E



SECTION D-D

REVISIONS	DATE	BY	DESCRIPTION
0. RELEASED	7/10/2017	Z.ZAJAC	
1. ANCHORING DIMENSIONS REVISED	3/16/2018	J.MENDEZ	
2. UPDATED 65KA/IC WEIGHT (NOTE 4)	3/7/4/2018	J.LIEBERT	
3. UPDATED DIMENSIONS PER ECN 702	3/16/2018	Z.ZAJAC	
4. UPDATED DIMENSIONS	3/21/2018	J.MENDEZ	
5. ADDED HEAT REJECTION VALUES; UPDATED PER ECN 1429	8/7/2019	Z.ZAJAC	

FABRICATION TOLERANCE	TOLERANCE	DIMENSIONS IN:	SCALE
NOMINAL SIZE		IN [MM] REF	
ANGLES	±0.01°		
HOLE TO MATERIAL EDGE	±0.01		
HOLE TO FORMED EDGE	±0.01		
HOLE TO HOLE	±0.005		
FORMED EDGE TO FORMED EDGE	±0.01		
FORMED EDGE TO WELDED EDGE < 48.0	±0.03		
FORMED EDGE TO WELDED EDGE > 48.0	±0.06		
PANEL DISTORTION OVER 48.0in	0.03 MAX		

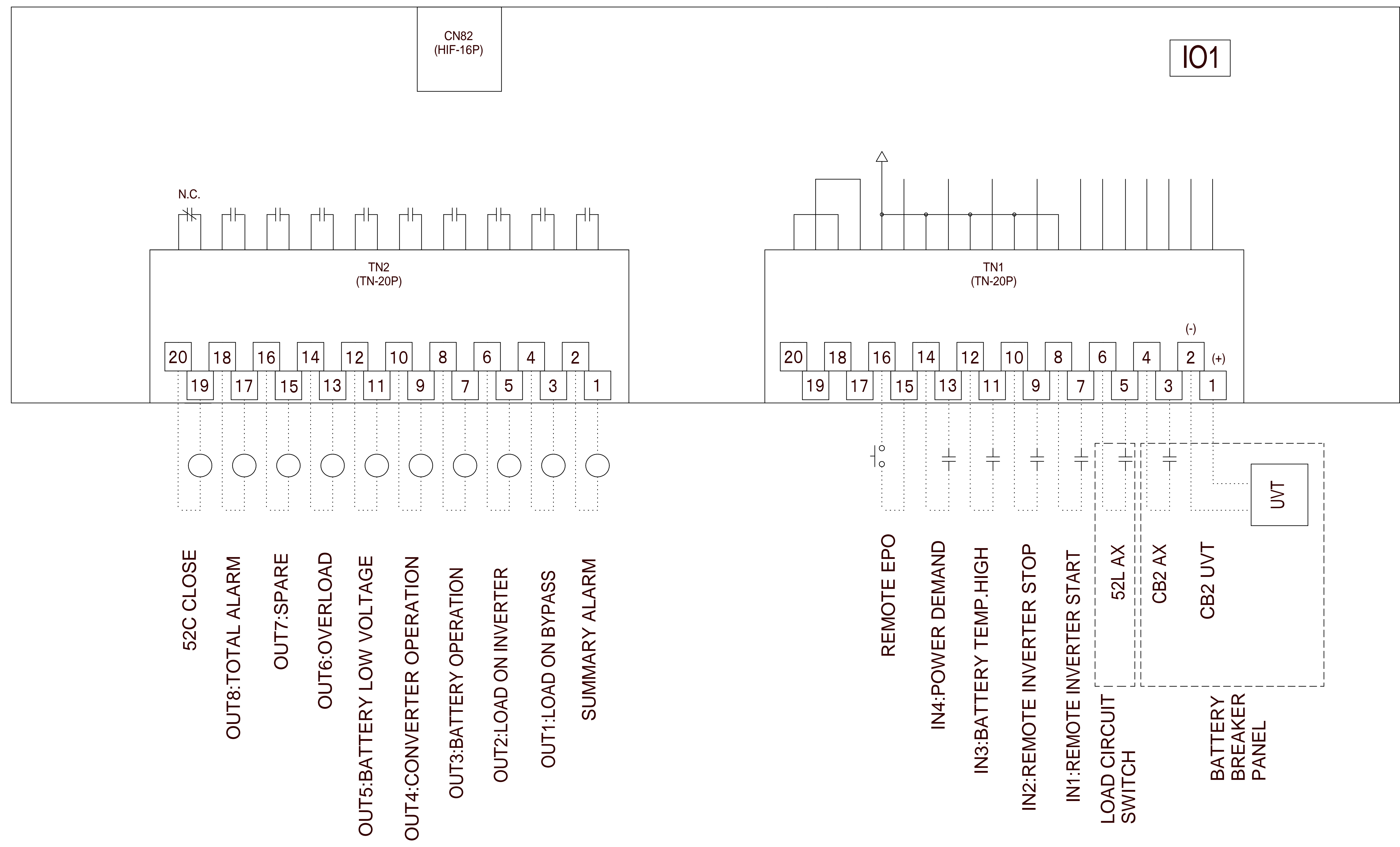
DRAFTER	DATE	APPROVED	DATE
Z.ZAJAC	7/6/17	N.RIEMER	7/6/17

MITSUBISHI ELECTRIC

TITLE
9900 AEGIS 225KVA

DWG. NO. **UD-100654** SHEET 5 OF 6 REV. **5**

(OPTION)
TO IO2:
EXTERNAL I/F BOARD



REVISIONS
0. RELEASED Z.ZAJAC 7/10/2017
1. ANCHORING DIMENSIONS REVISED J.MENDEZ 3/16/2018
2. UPDATED 65KA/IC WEIGHT (NOTE 4) J.LIEBERT 3/7/4/2018
3. UPDATED DIMENSIONS PER ECN 702 Z.ZAJAC 3/16/2018
4. UPDATED DIMENSIONS J.MENDEZ 3/21/2018
5. ADDED HEAT REJECTION VALUES; UPDATED PER ECN 1429 Z.ZAJAC 8/7/2019

FABRICATION TOLERANCE	
NOMINAL SIZE	TOLERANCE
ANGLES	±0.01°
HOLE TO MATERIAL EDGE	±0.01
HOLE TO FORMED EDGE	±0.01
HOLE TO HOLE	±0.005
FORMED EDGE TO FORMED EDGE	±0.01
FORMED EDGE TO WELDED EDGE < 48.0	±0.03
FORMED EDGE TO WELDED EDGE > 48.0	±0.06
PANEL DISTORTION OVER 48.0in	0.03 MAX

DIMENSIONS IN:		SCALE
IN [MM]	REF	
<small>PROPRIETARY</small> <small>This document is the property of Mitsubishi Electric Power Products, Inc. and contains proprietary and confidential information which must not be duplicated, used or disclosed other than as expressly authorized by Mitsubishi Electric Power Products, Inc.</small>		

DRAFTER	DATE
Z.ZAJAC	7/6/17
APPROVED	DATE
N.RIEMER	7/6/17

MITSUBISHI ELECTRIC
 TITLE
9900 AEGIS 225KVA
 DWG. NO. **UD-100654** SHEET 6 OF 6 REV. **5**