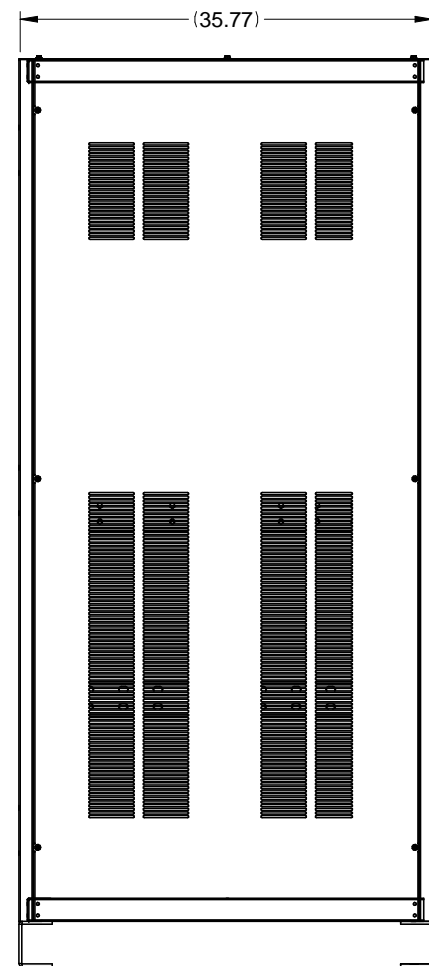
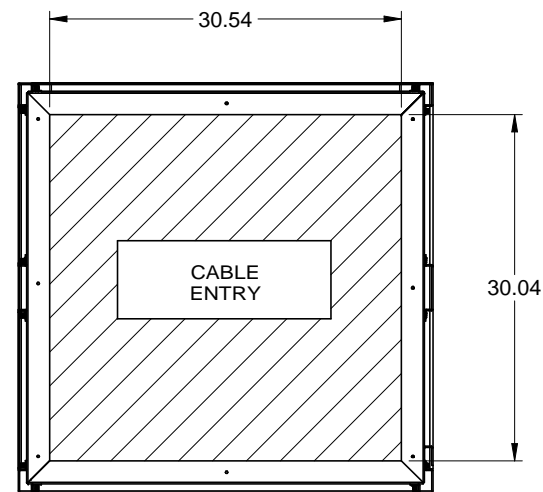




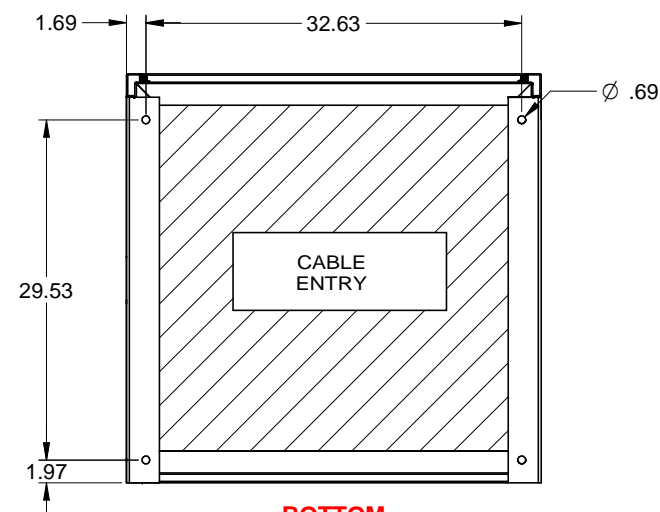
**LEFT SIDE**



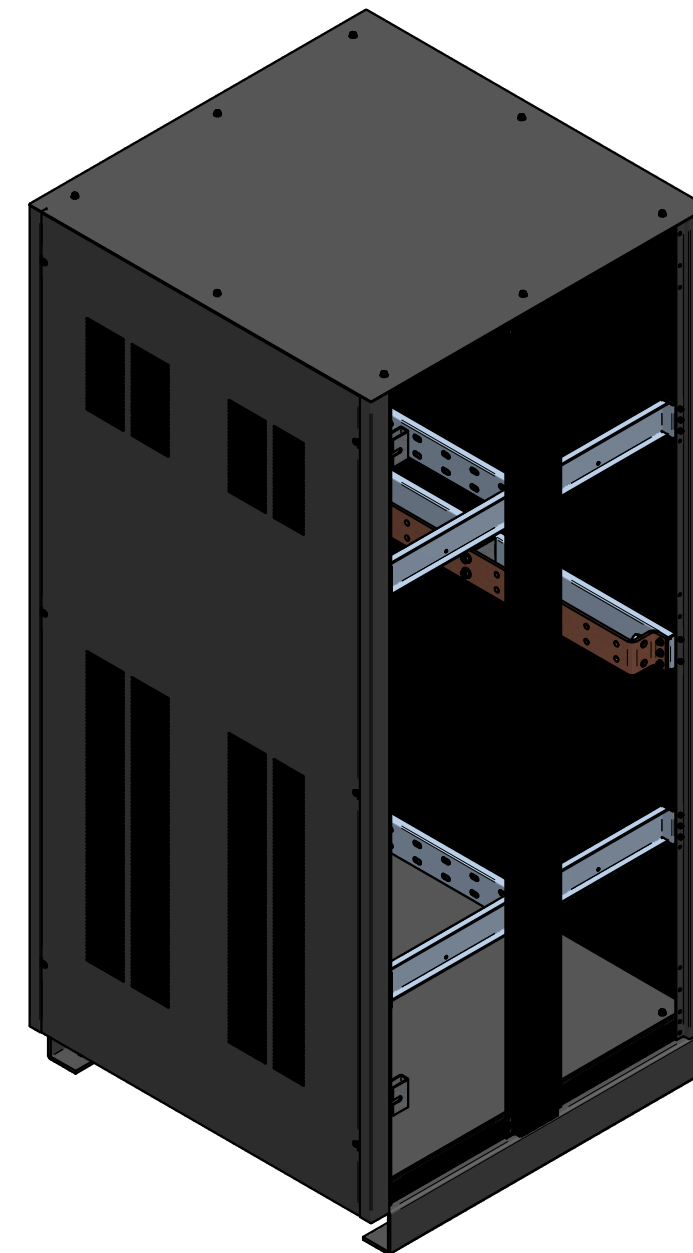
**FRONT**



**TOP**



**BOTTOM**



- NOTES:
1. SIDE CAR IS DESIGNED TO INTEGRALLY ATTACH TO THE LEFT SIDE OF THE 9900CX UPS.
  2. SIDE CAR WEIGHT: 473 LBS.
  3. ATTACH SIDE CAR TO UPS VIA SUPPLIED 3/8" HARDWARE.
  4. CUSTOMER GROUND PROVISIONS, 10X NEMA 2-HOLE PATTERN.

**DIRECT CABLE SIDE CAR;BLACK**

DIMENSIONS IN: IN [MM] (REF)	SCALE - NTS -	DRAFTER Z.ZAJAC	DATE 9/27/21	<p><b>MITSUBISHI ELECTRIC</b></p>
<p><b>PROPRIETARY</b> This document is the property of Mitsubishi Electric Power Products, Inc. and contains proprietary and confidential information which must not be duplicated, used or disclosed other than as expressly authorized by Mitsubishi Electric Power Products, Inc.</p>		APPROVED R.DURBIN	DATE 9/27/21	
CORE/REFERENCE DRAWING (IF APPLICABLE)		DWG. NO. <b>UD-101485</b>		SHEET 1 OF 1 REV. <b>0</b>

REVISIONS  
0. INITIAL RELEASE  
Z.ZAJAC 9/27/21