

PART NUMBER UD-100360-AK1600DK065

COLOR OF UNIT  
A-BEIGE  
B-BLACK

VOLTAGE OF UNIT  
K-480V

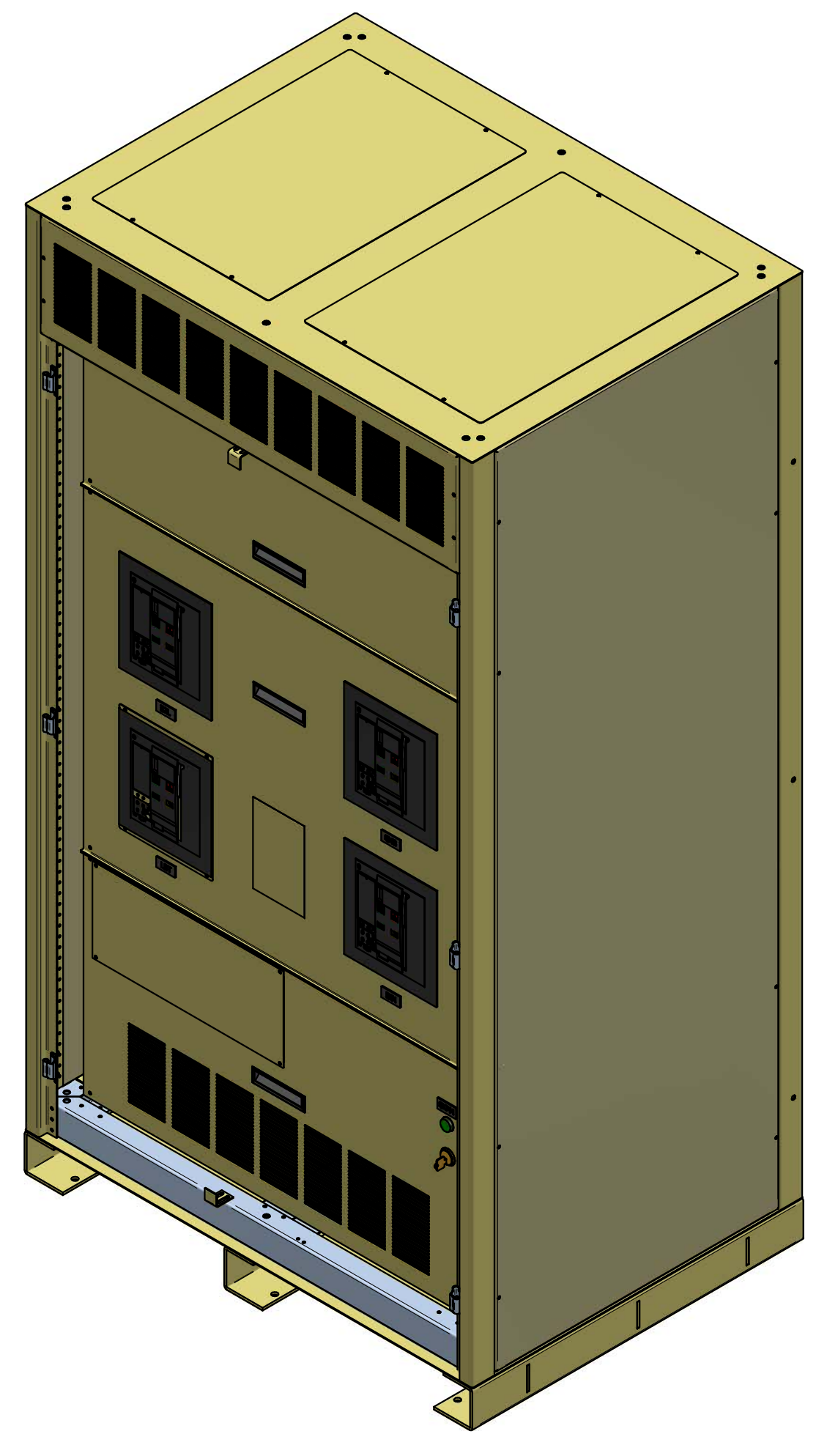
AMPERAGE OF UNIT  
1600

TABLE CODE  
BLANK-NO OPTION  
AOI-WITH LBT

KAIC OF UNIT  
100  
65

INTERLOCK  
E- SKPM  
K- KIRKKEY

BREAKER MANUFACTURER  
D-SQAURE D



GENERAL ARRANGEMENT

NOTES:  
TOTAL WEI GHT 2434LBS

REVISIONS

0	ORIGINAL RELEASE	GDJ	1/03/14
1	ADDED THE SINGLE LINE SCHEMATIC	G-JOHNSTON	9/20/2016
3	ADDED PART NUMBER MATRIX	JPRY-SOCK	7/9/2020

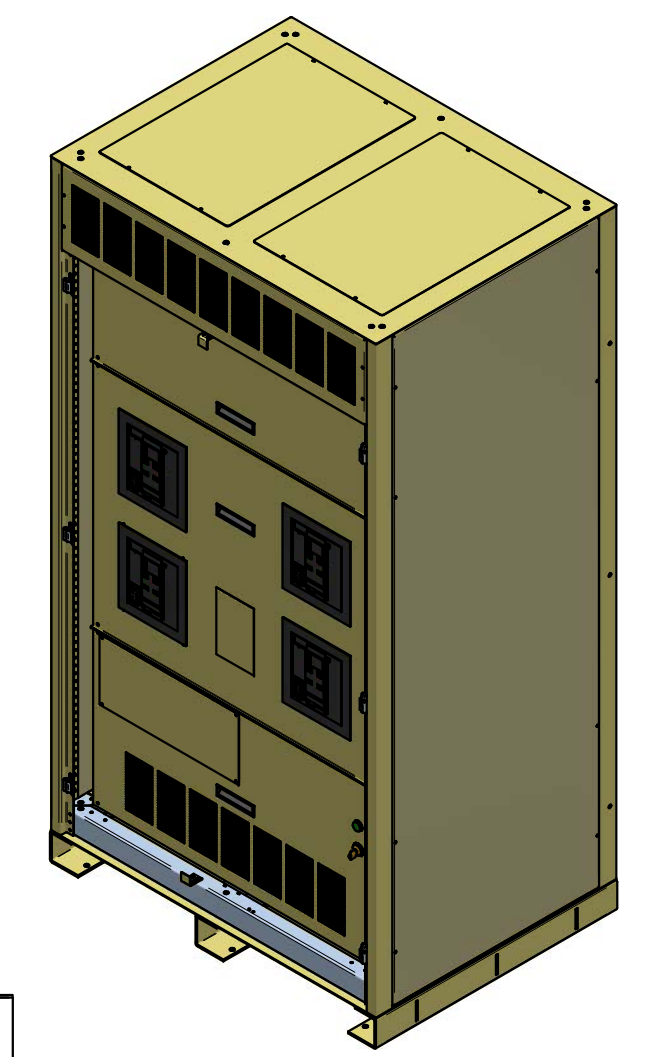
DIM. IN [IN]	SCALE	DRAFTER	DATE
		G. JOHNSTON	1/03/14
<small>PROPRIETARY</small> <small>This document is the property of Mitsubishi Electric Power Products, Inc. and contains proprietary and confidential information which must not be duplicated, used or disclosed other than as expressly authorized by Mitsubishi Electric Power Products, Inc.</small>		CHECKED	DATE
		E. FALK	1/03/14
		ENGINEER	DATE
		E. FALK	1/03/14
		APPROVED	DATE
		E. FALK	1/03/14
REF DWG. NO.			
FILE LOCATION:			

MITSUBISHI ELECTRIC POWER PRODUCTS, INC. WARRENDALE, PA.

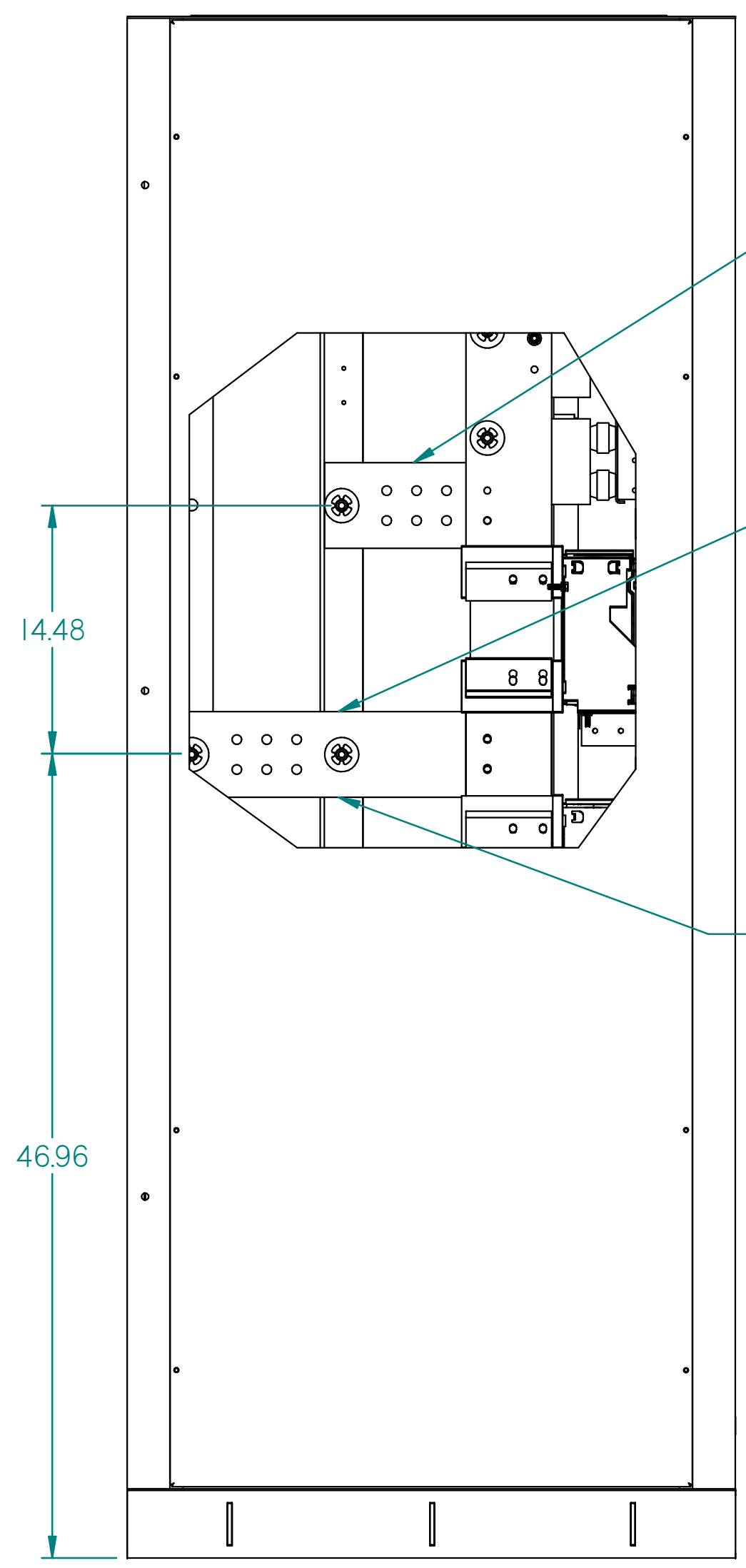
TITLE 9900C BYPASS CABINET W/LBT

DWG. NO. UD-100360 SHEET 1 OF 8

REV. 3



ISO VIEW DOORS REMOVED FOR CLARITY

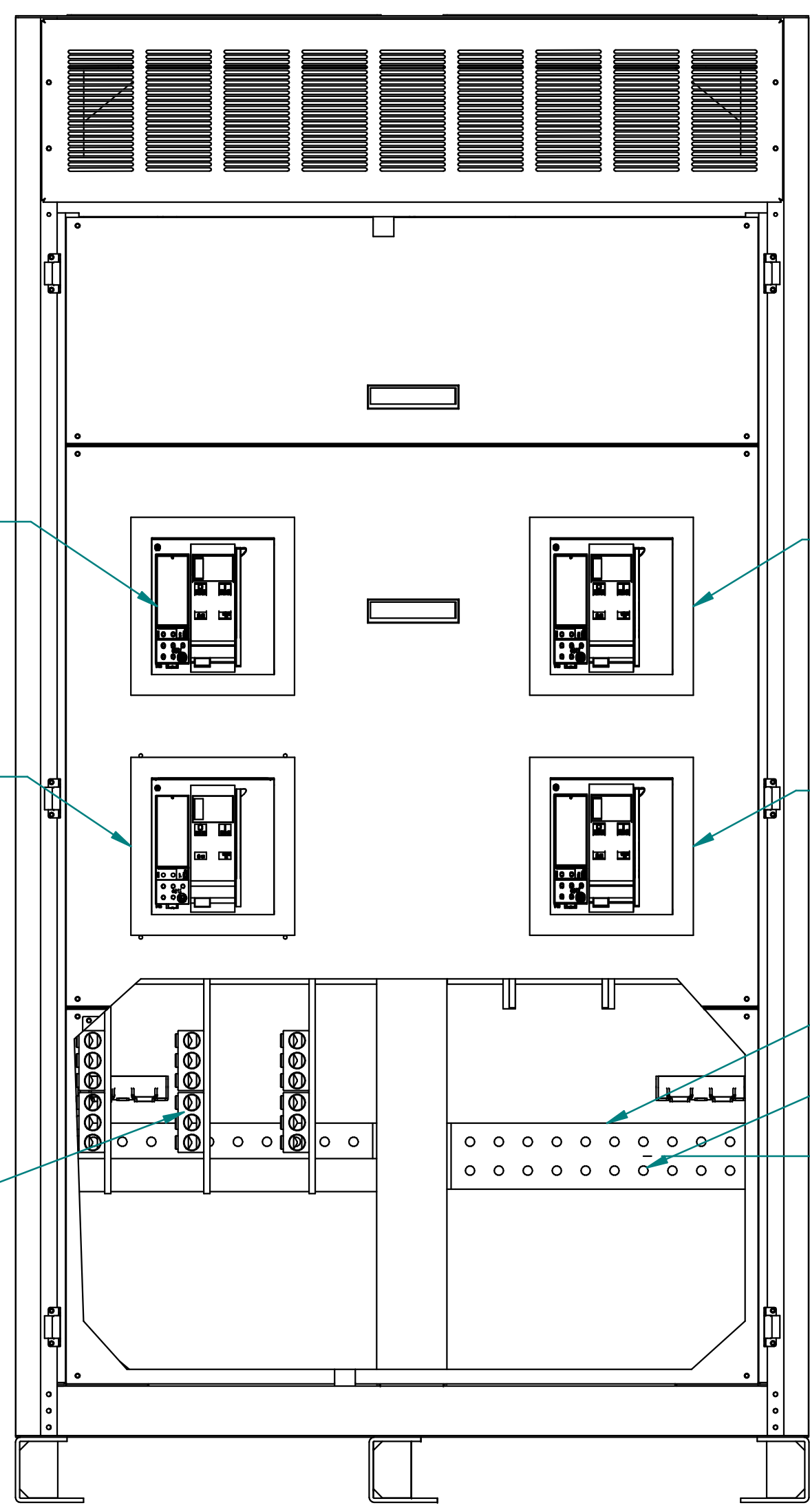


1 AC OUTPUT CUSTOMER CONNECTION (SEE NOTE 1)

1 UPS OUTPUT CUSTOMER CONNECTION (SEE NOTE 1)

CONNECTIONS NEMA 2 HOLE LUGS 1/2" CLEARANCE HOLE

3 LBT OUTPUT CUSTOMER CONNECTION (SEE NOTE 3)



52L BREAKER

LBT BREAKER

SMB BREAKER

BIN BREAKER

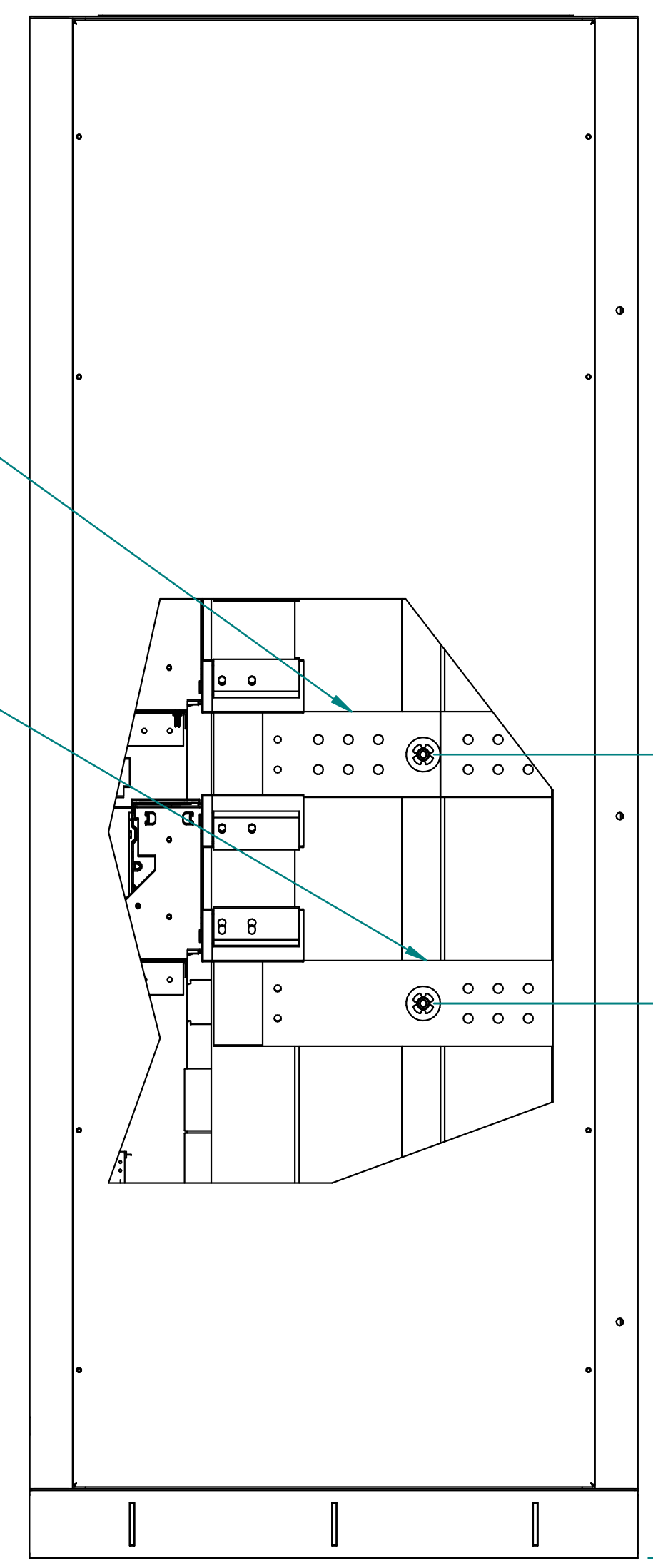
2 2 PLACES CUSTOMER GROUND CONNECTION (SEE NOTE 2)

CONNECTIONS NEMA 2 HOLE LUGS 1/2" CLEARANCE HOLE

20.95

1 AC INPUT CUSTOMER CONNECTION (SEE NOTE 1)

1 UPS INPUT CUSTOMER CONNECTION (SEE NOTE 1)

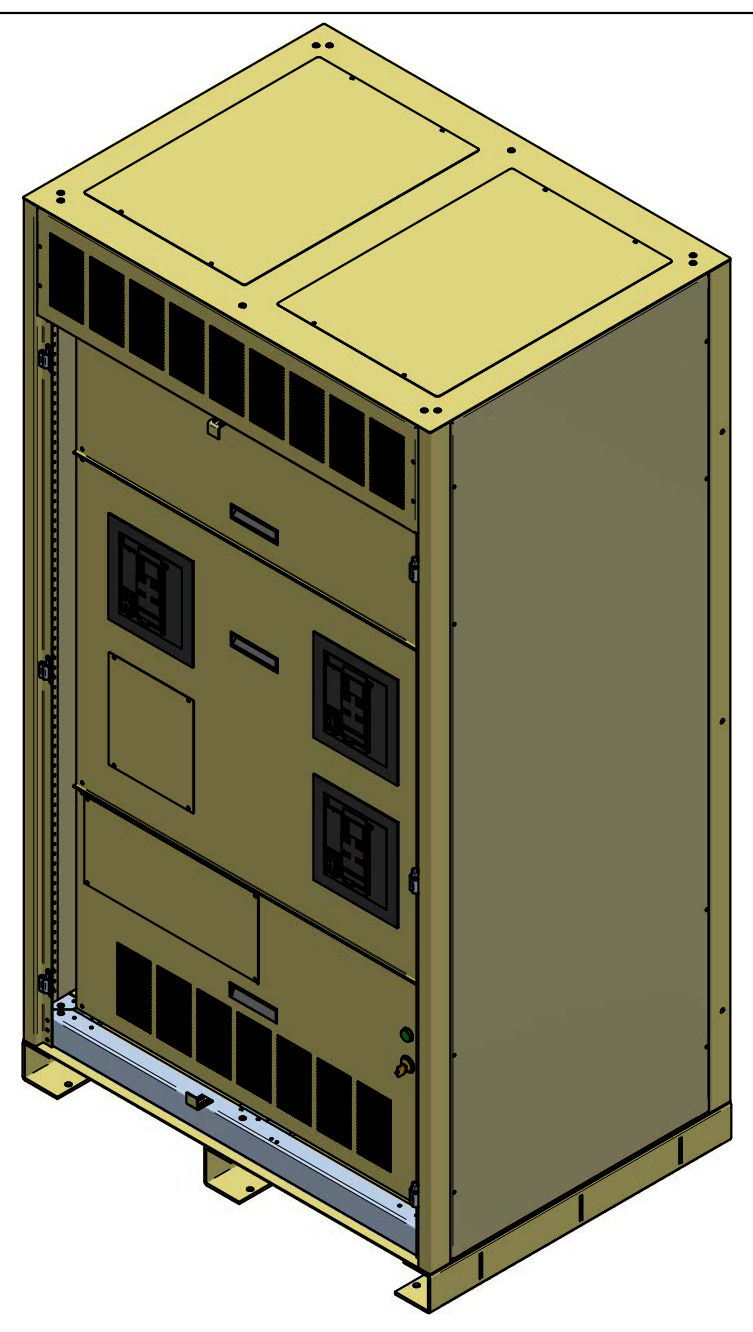


FRONT VIEW DOORS REMOVED 3 BREAKER BYPASS W/LBT BREAKER

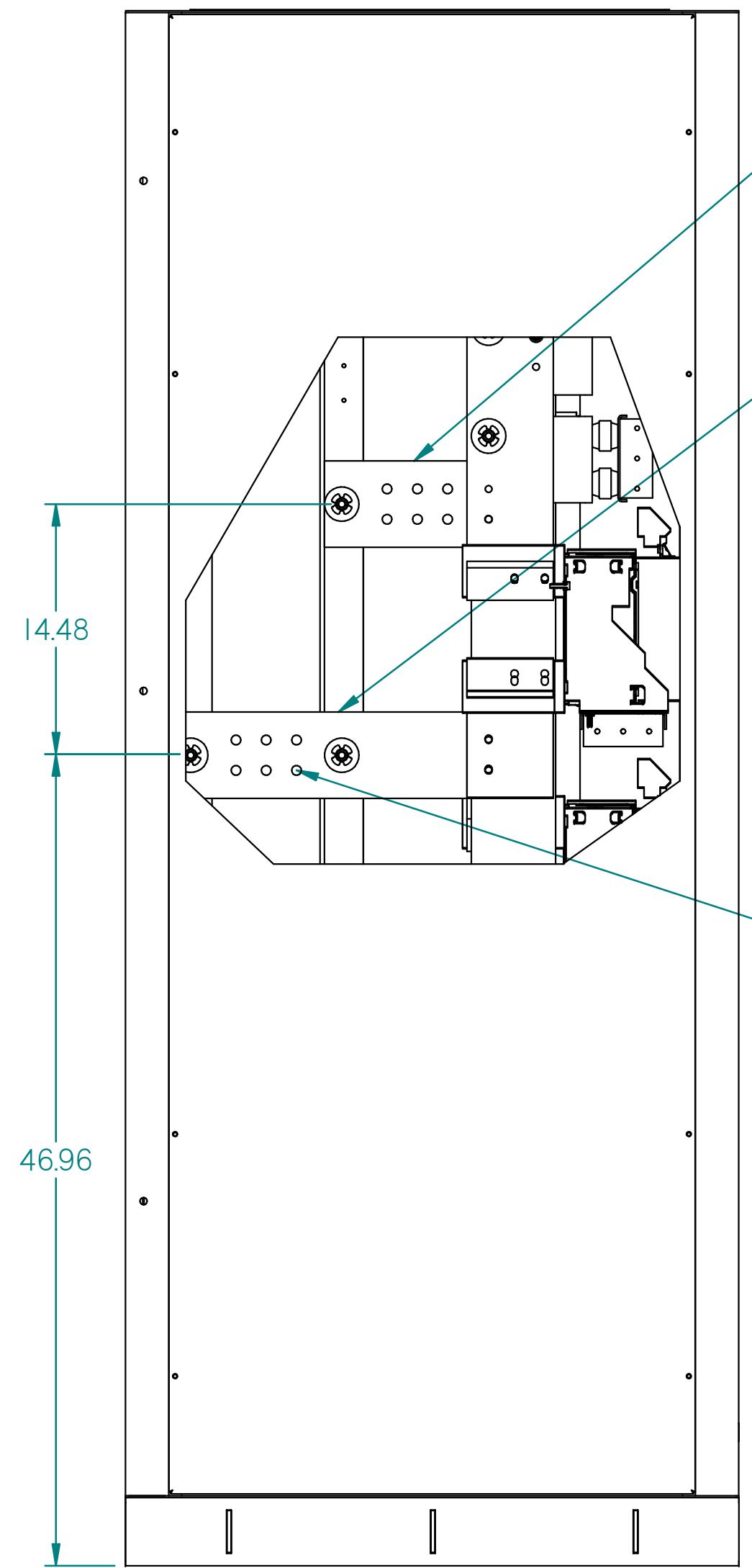
REV	DESCRIPTION
0	ORIGINAL RELEASE GDJ 1/03/14
1	ADDED THE SINGLE LINE SCHEMATIC G.JOHNSTON 9/20/2016
3	ADDED PART NUMBER MATRIX J.PRY-SOCK 7/9/2020

DIM. IN [IN]	SCALE NTS	DRAFTER G. JOHNSTON	DATE
<small>PROPRIETARY This document is the property of Mitsubishi Electric Power Products, Inc. and contains proprietary and confidential information which must not be duplicated, used or disclosed other than as expressly authorized by Mitsubishi Electric Power Products, Inc.</small>		CHECKED	DATE
REF DWG. NO.	APPROVED	ENGINEER	DATE
FILE LOCATION:			DATE

MITSUBISHI ELECTRIC POWER PRODUCTS, INC. WARRENDALE, PA.	
TITLE 9900C BYPASS CABINET W/LBT	
DWG. NO. UD-100360	REV. 3



ISO VIEW COVERS REMOVED FOR CLARITY



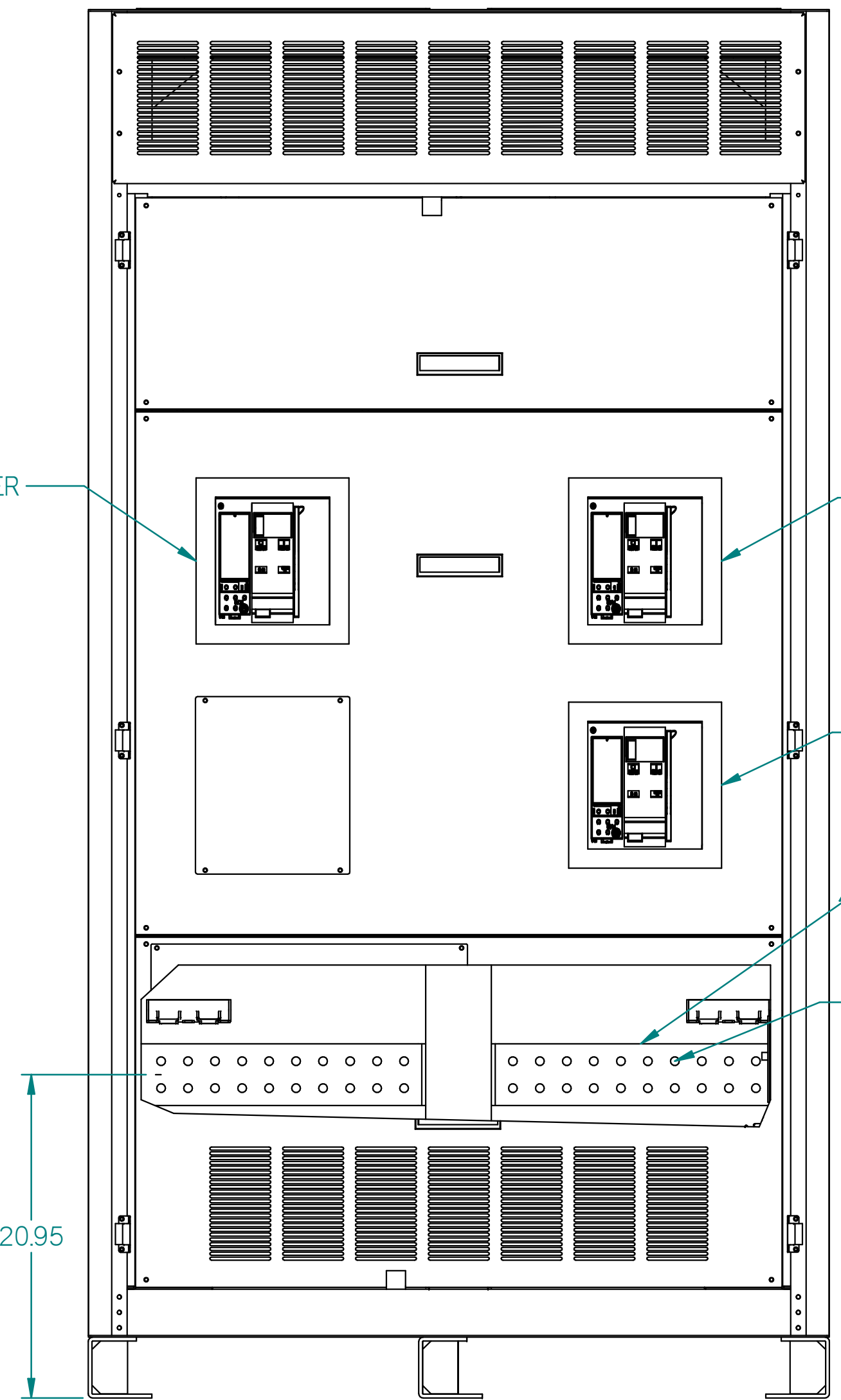
14.48

46.96

1 AC OUTPUT CUSTOMER CONNECTION (SEE NOTE 1)

1 UPS OUTPUT CUSTOMER CONNECTION (SEE NOTE 1)

CONNECTIONS NEMA 2 HOLE LUGS 1/2" CLEARANCE HOLE



20.95

52L BREAKER

SMB BREAKER

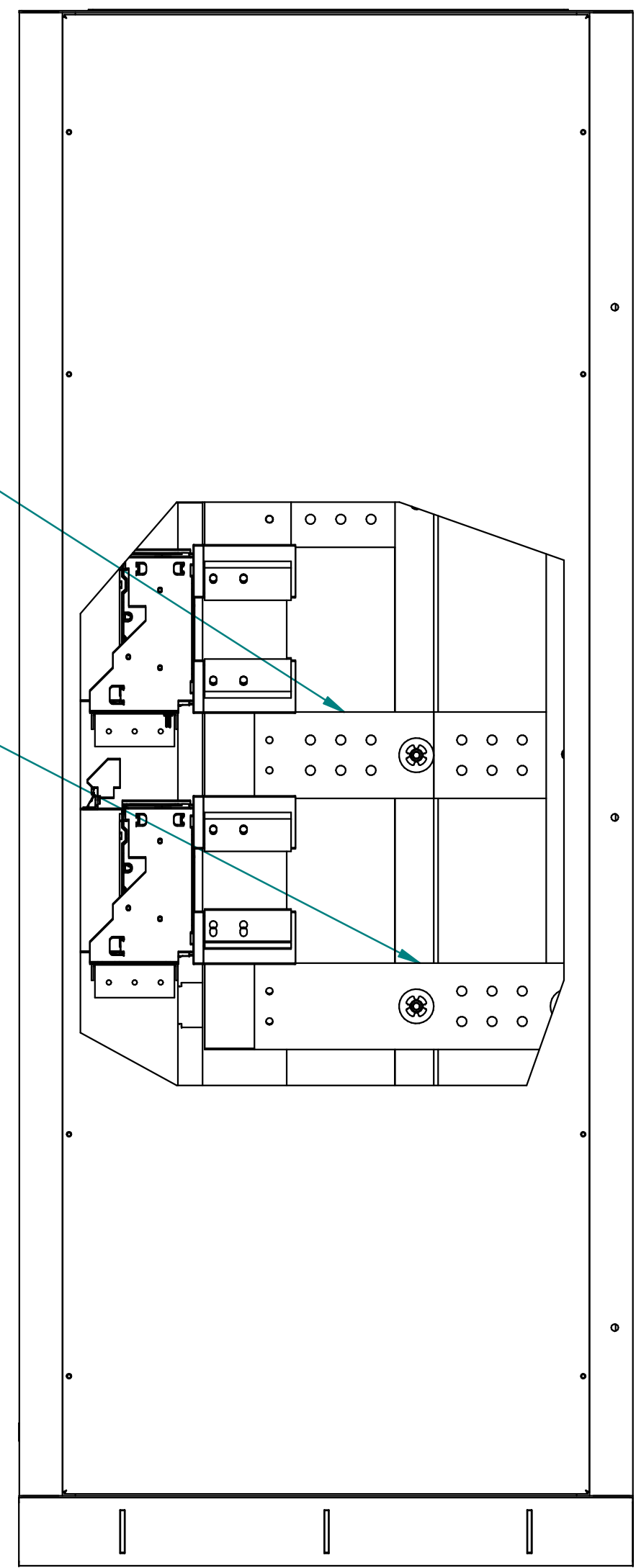
BIN BREAKER

2 2 PLACES CUSTOMER GROUND CONNECTION (SEE NOTE 2)

CONNECTIONS NEMA 2 HOLE LUGS 1/2" CLEARANCE HOLE

1 AC INPUT CUSTOMER CONNECTION (SEE NOTE 1)

1 UPS INPUT CUSTOMER CONNECTION (SEE NOTE 1)

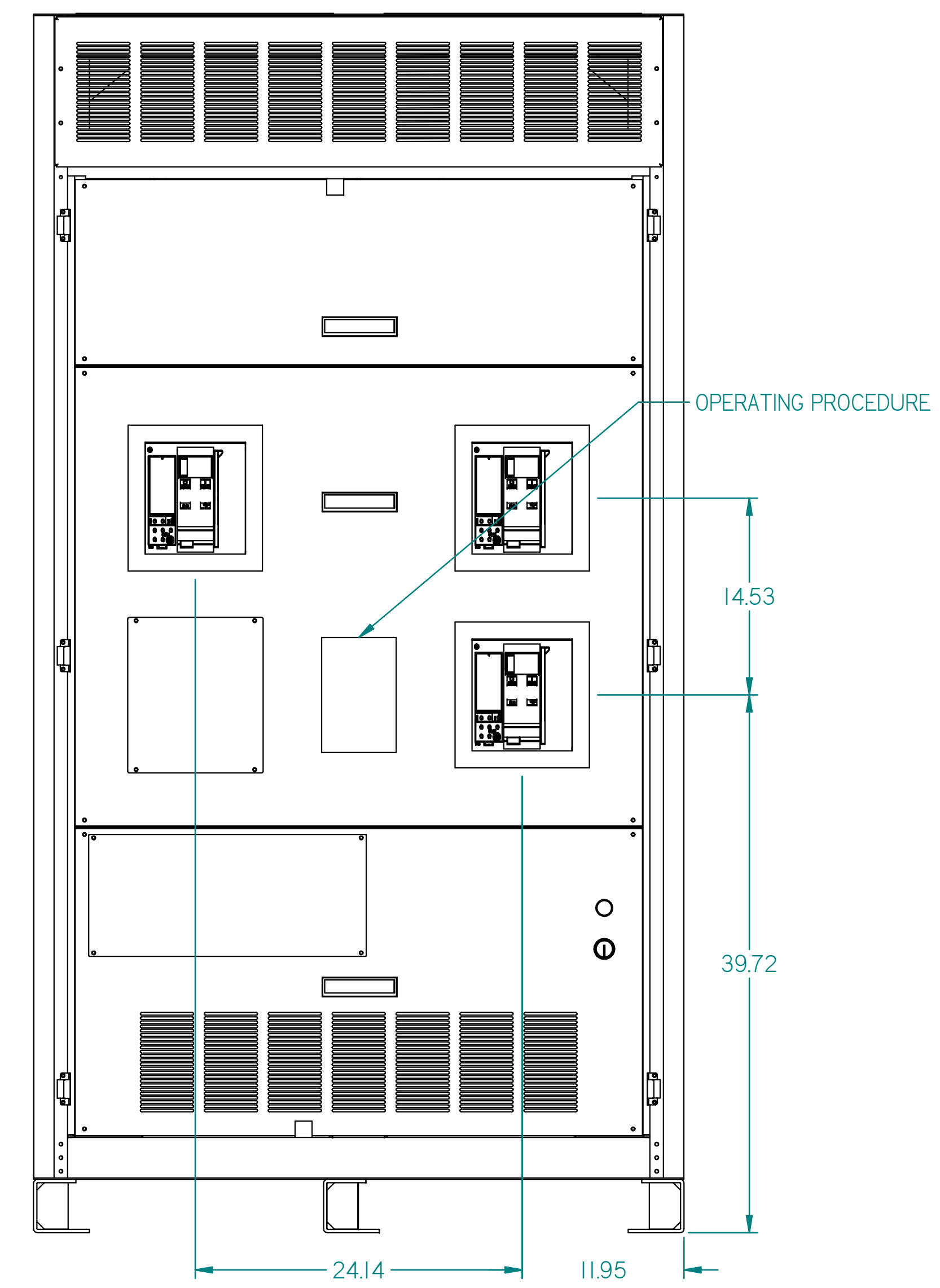
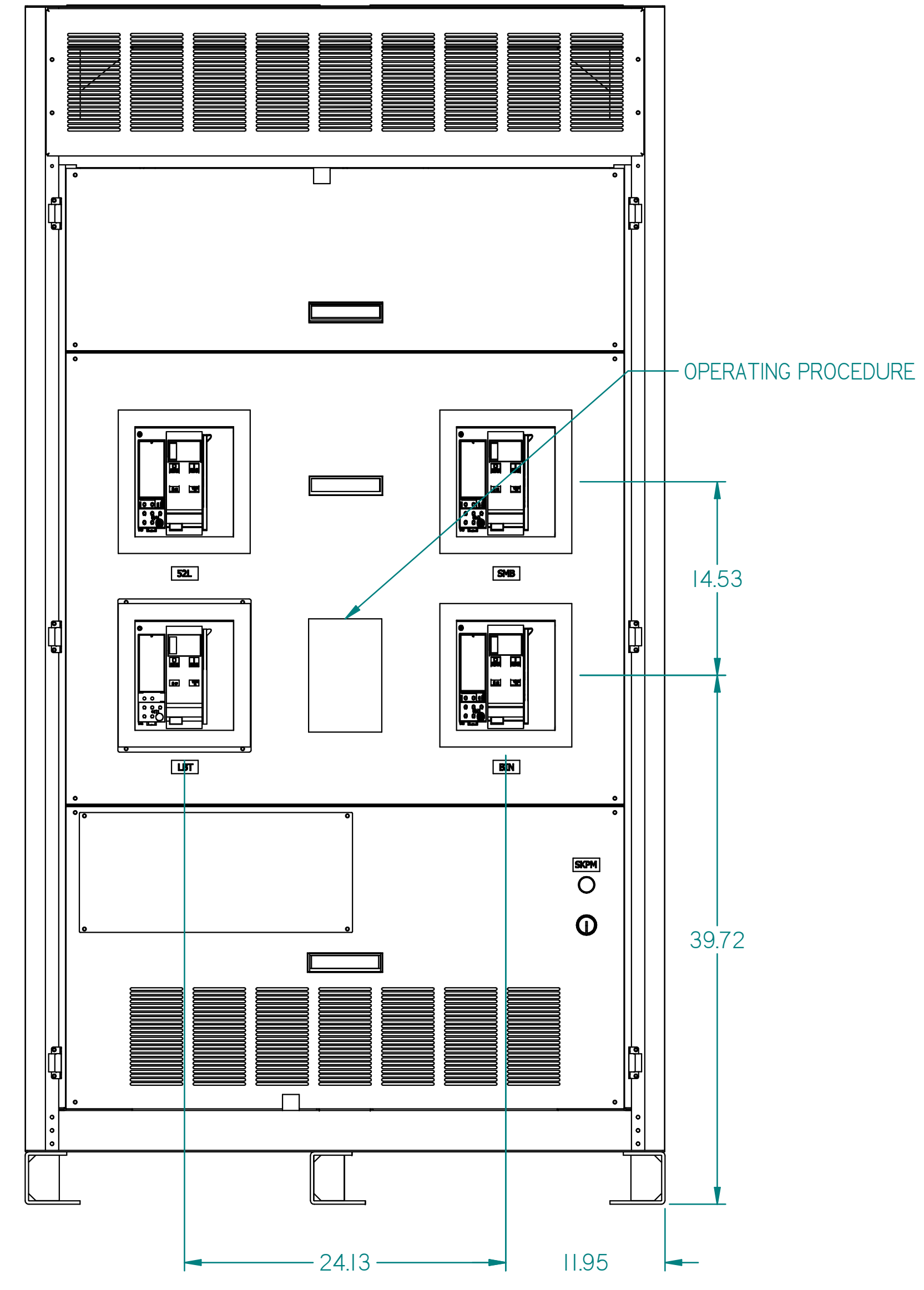
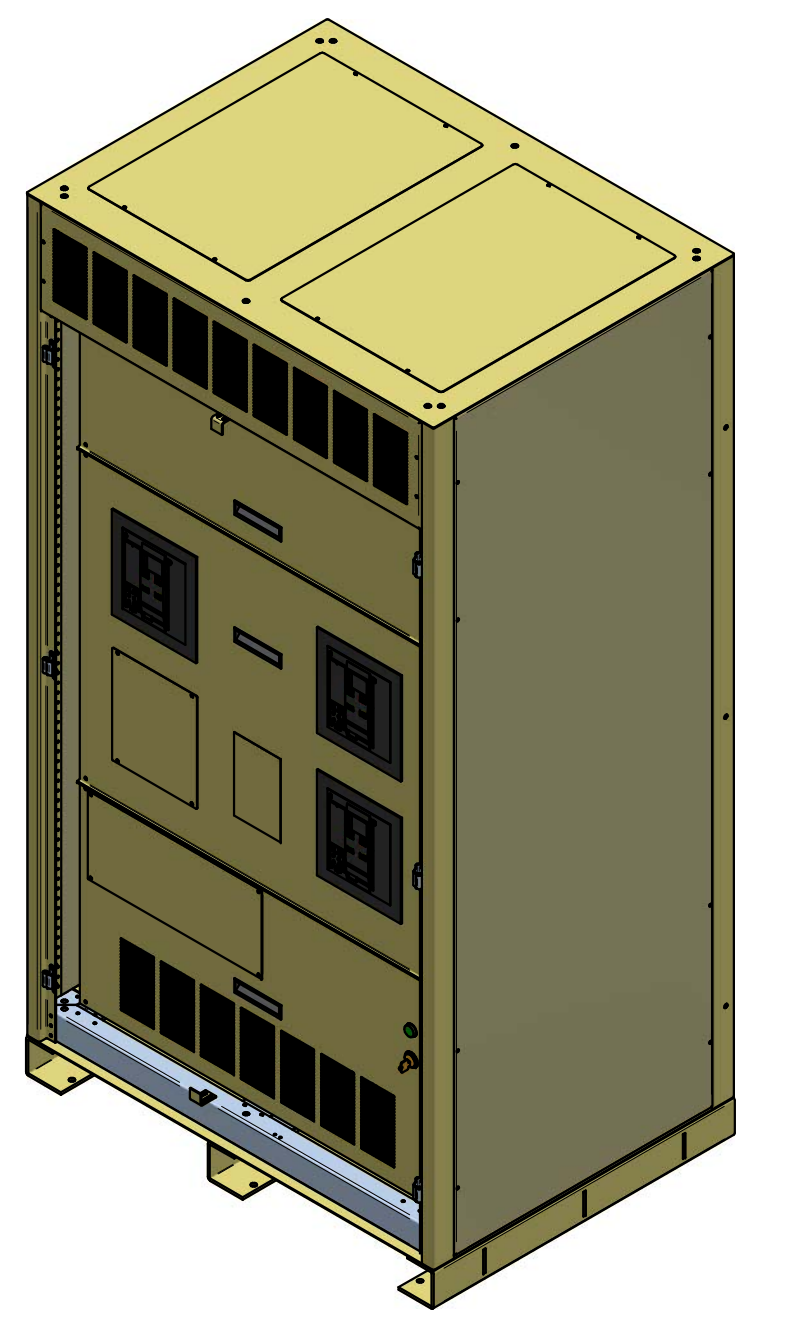
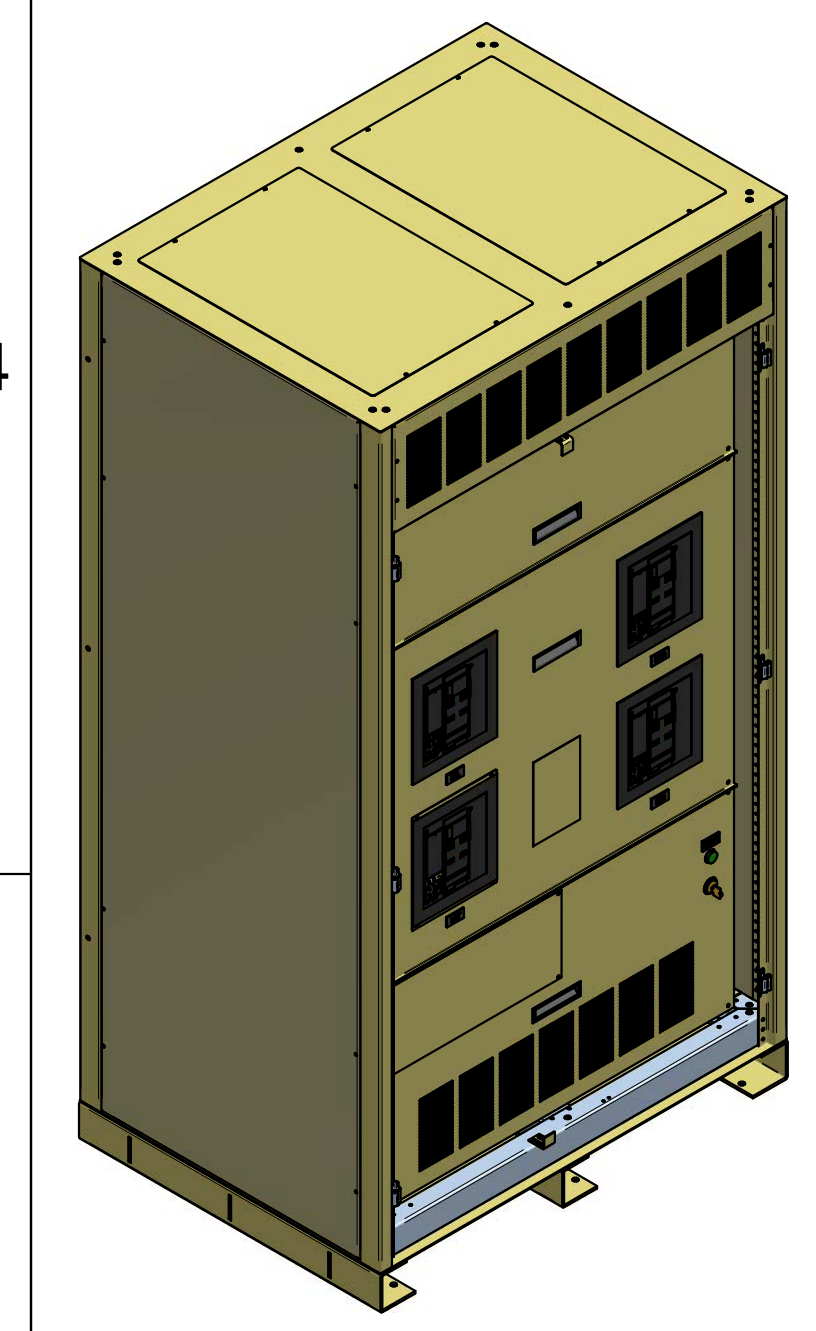


FRONT VIEW DOORS REMOVED 3 BREAKER BYPASS

REVISIONS
0 ORIGINAL RELEASE GDJ 1/03/14
1. ADDED THE SINGLE LINE SCHEMATIC G. JOHNSTON 9/20/2016
3. ADDED PART NUMBER MATRIX J.PRY-SOCK 7/9/2020

DIM. IN [IN]	SCALE NTS	DRAFTER G. JOHNSTON	DATE
<small>PROPRIETARY</small> <small>This document is the property of Mitsubishi Electric Power Products, Inc. and contains proprietary and confidential information which must not be duplicated, used or disclosed other than as expressly authorized by Mitsubishi Electric Power Products, Inc.</small>		CHECKED	DATE
REF DWG. NO.	APPROVED	ENGINEER	DATE
FILE LOCATION:			DATE

<b>MITSUBISHI ELECTRIC POWER PRODUCTS, INC.</b> WARRENDALE, PA.	
<b>TITLE</b> 9900C BYPASS CABINET W/LBT	
DWG. NO. UD-100360	REV. 3



FRONT VIEW DOORS REMOVED 3 BREAKER BYPASS W/ LBT BREAKER

FRONT VIEW DOORS REMOVED 3 BREAKER BYPASS

REV	DESCRIPTION
0	ORIGINAL RELEASE GDJ 17/03/14
1	ADDED THE SINGLE LINE SCHEMATIC G.JOHNSTON 9/20/2016
3	ADDED PART NUMBER MATRIX J.PRY-SOCK 7/9/2020

<p>PROPRIETARY This document is the property of Mitsubishi Electric Power Products, Inc. and contains proprietary and confidential information which must not be duplicated, used or disclosed other than as expressly authorized by Mitsubishi Electric Power Products, Inc.</p>		<p>DRAFTER G. JOHNSTON</p>	<p>DATE</p>
<p>REF DWG. NO.</p>		<p>CHECKED</p>	<p>DATE</p>
<p>FILE LOCATION:</p>		<p>ENGINEER</p>	<p>DATE</p>
		<p>APPROVED</p>	<p>DATE</p>

<p>DIM. IN [IN]</p>	<p>SCALE NTS</p>	<p>DRAWN</p>	<p>DATE</p>	<p>MITSUBISHI ELECTRIC POWER PRODUCTS, INC. WARRENDALE, PA.</p>
<p>TITLE 9900C BYPASS CABINET W/LBT</p>				
<p>DWG. NO. UD-100360</p>			<p>REV. 3</p>	







