

A B C D E F G H I J K L M N O P Q

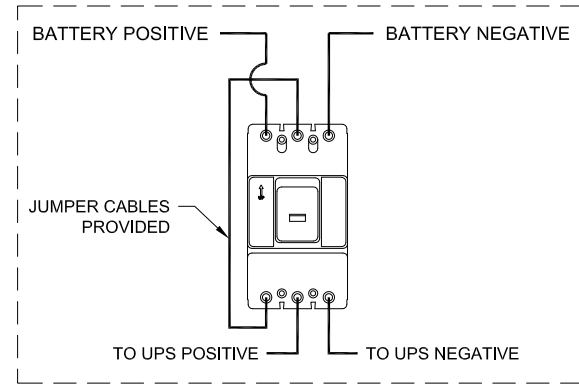
CIRCUIT BREAKER SUMMARY				
BREAKER TYPE	BREAKER MODEL	TRIP	AIC	WIRE RANGE
CUTLER HAMMER SERIES C	HFDDC3XXX	15-100A	42K @ 600VDC	(1) 14 - 1/0 ①
CUTLER HAMMER SERIES G	JGEDC3XXX	125-250A	35K @ 600VDC	(1) 8 - 350 ①
	LGEDC3XXX	300-350A	35K @ 600VDC	(1) 3 - 500 ①
	LGEDC3400	400A	35K @ 600VDC	(1) 500 - 750 ①

① THIS SPECIFIES THE WIRE RANGE THAT CAN BE USED WITH THE CIRCUIT BREAKER LUG. THE WIRE SHALL BE SIZED IN ACCORDANCE WITH THE MOST RECENT REVISION OF THE NATIONAL ELECTRICAL CODE (NEC) NFPA 70.

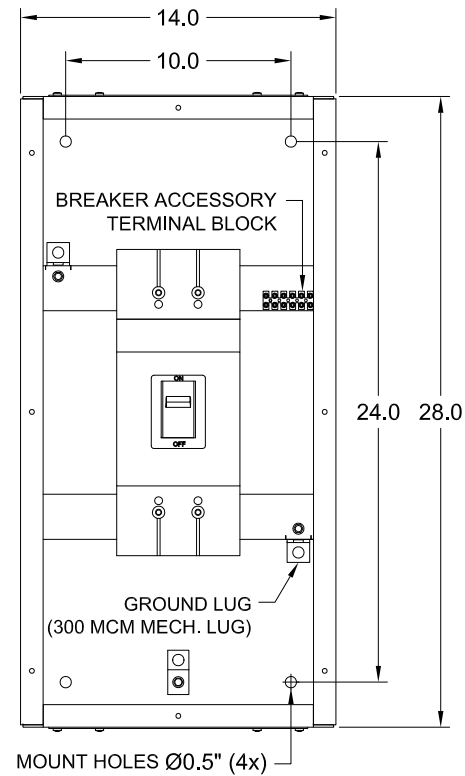
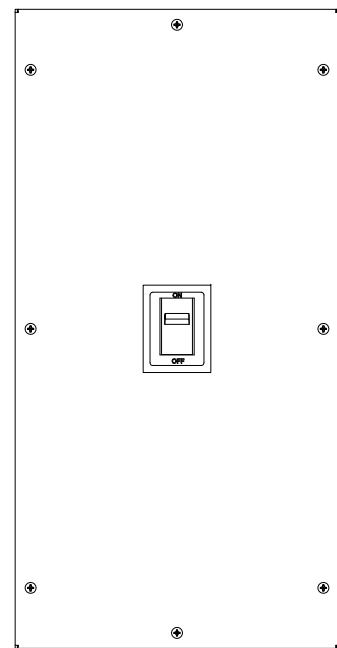
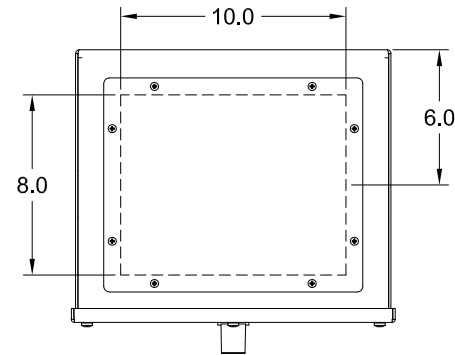
PART NUMBER BREAK DOWN

DC-480-0225B4-0-1

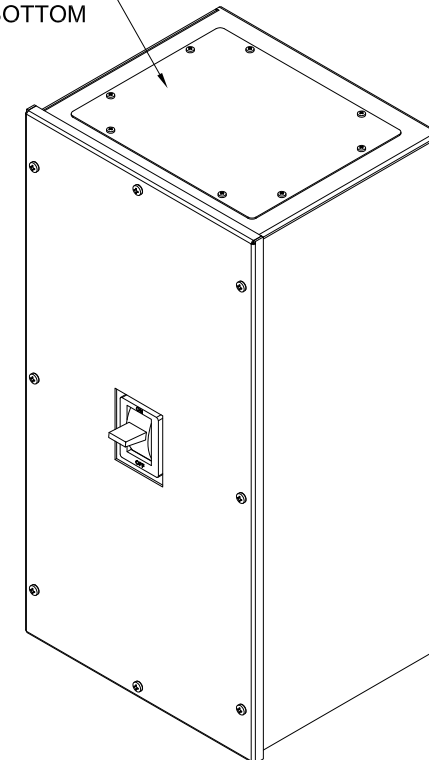
- CABLES PER POLARITY: 1 1 CABLE 2 2 CABLES
- SIZE: 0 WALL MOUNT
- DISCONNECT TYPE: B3 BREAKER B4 BREAKER
- BREAKER RATING AMPS: 0070 0100 0125 0150 0200 0225 0300 0350 0400
- VOLTAGE: 480 360
- CABINET TYPE: DC WALL MOUNT



TYPICAL BREAKER WIRING



8.00" x 10.00" KNOCKOUT TOP & BOTTOM



- REVISIONS**
- 4 - ADDED CIRCUIT BREAKER SUMMARY TABLE
 - ADDED PART NUMBER BREAK DOWN

DIMENSIONS IN [MM]	SCALE NTS	DRAFTER CH	DATE 10/23/13	<p>MITSUBISHI ELECTRIC POWER PRODUCTS, INC. WARRENDALE, PA.</p>
THIS DRAWING CONTAINS PROPRIETARY AND CONFIDENTIAL INFORMATION OF C&C POWER, INC. AND HAS BEEN PREPARED FOR THE USE OF MITSUBISHI ELECTRIC POWER PRODUCTS, INC. FOR USE IN CONJUNCTION WITH EQUIPMENT PROVIDED BY C&C POWER, INC. UNAUTHORIZED REPRODUCTION, IN WHOLE OR IN PART, WITHOUT WRITTEN PERMISSION OF C&C POWER, INC. IS PROHIBITED. © 2011 C&C POWER, INC.			DATE	
REF DWG. NO. -	ENGINEER	DATE	TITLE DC DISCONNECT 15A-400A	
FILE LOCATION:	APPROVED	DATE	DWG NO. 91810-SD01	