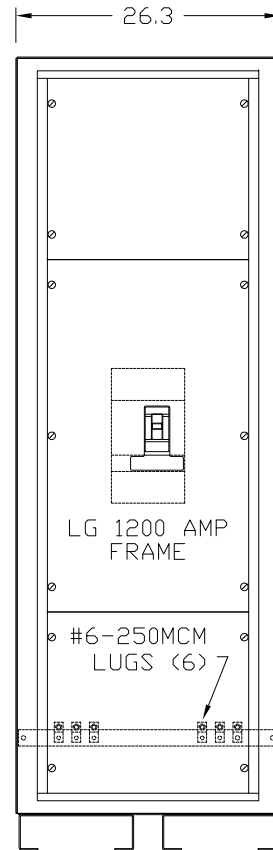
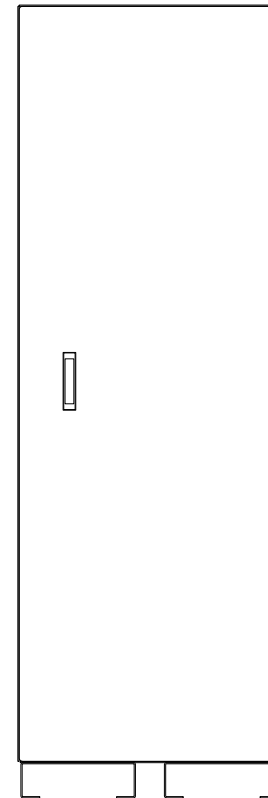


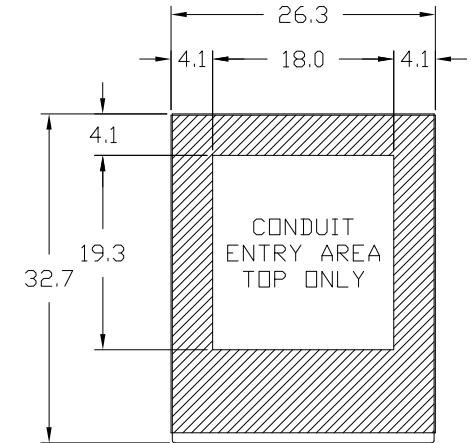
LEFT SIDE VIEW
SIDE COVER REMOVED



FRONT VIEW
DOOR REMOVED



FRONT VIEW
DOOR SHOWN



PLAN VIEW
CONDUIT ENTRY DETAIL

This Document Contains Proprietary and Confidential Information.
Duplication, reproduction or use of this document or its contents in any form other than as expressly permitted by Kinney Electrical Mfg. Co., is prohibited.

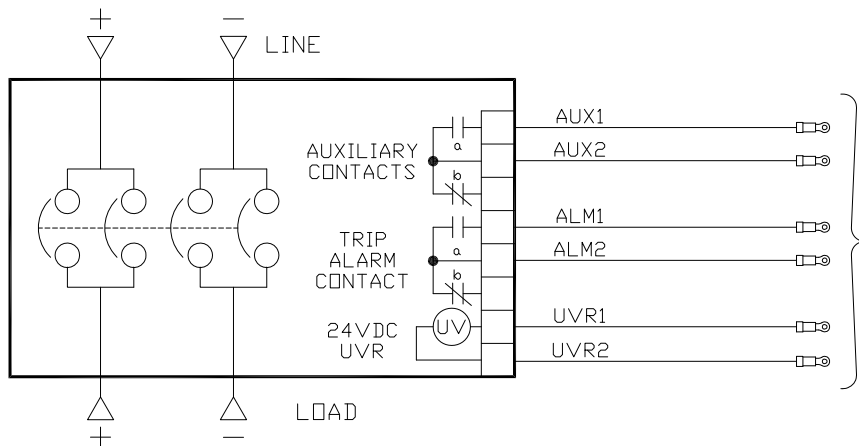
MITSUBISHI ELECTRIC POWER PRODUCTS, INC.
WARRENDALE, PA

REVISIONS

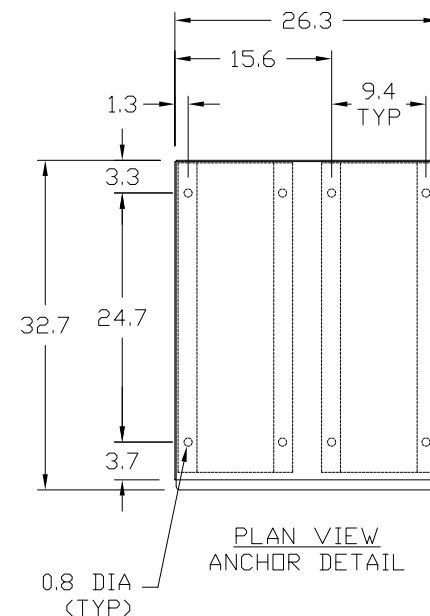
PART NO.		SEE TABLE		
DESCRIPTION 480V DC LANDING CABINET - 1200 AMP MAX				
MEPPI APPROVED	MAB	KINNEY APPROVED	RFM	REVISION *
DATE	4-5-2016	CAD FILE	DRAWING NO.	SHEET
DRAWN BY	RFM	DCF99001200A03	M0000544	1 OF 2

DC LANDING CABINET – 1200 AMPERES

PART NUMBER	UPS SERIES	KVA	BREAKER TRIP UNIT	BREAKER CATALOG NUMBER	LINE CONNECTIONS PER POLE	LOAD CONNECTIONS PER POLE
LB-480-0700DB4-9-5	9900B	300	700 AMPS	LGF47070D35	< 10> #4-600MCM	< 5> #4-600MCM
LB-480-1200DB4-9-5	9900B	500	1200 AMPS	LGF4709120D42	< 10> #4-600MCM	< 5> #4-600MCM
LB-480-1200DB4-9-6	9900B	500	1200 AMPS	LGF4709120D42	< 12> #4-600MCM	< 6> #4-600MCM



14'-#14 AWG. SIS VW-1.
#4 SCREW RING TERMINALS
AND WIRE MARKERS PROVIDED
ON BOTH ENDS.



ENCLOSURE NOTES:

SERVICE: 500VDC.

ENCLOSURE: NEMA 1 (UL 50 LISTED ENCLOSURE).

FRAME: BOLT TOGETHER TRI-SQUARE FORMED CHANNEL OF 10 GAUGE STEEL.

DOOR: 12 GAUGE PAINTED STEEL EQUIPPED WITH MITSUBISHI HANDLE WITH THREE POINT CATCH.

FINISH: MITSUBISHI BEIGE POLYESTER POWDERCOAT APPLIED TO SURFACES TREATED WITH AN IRON PHOSPHATE AND CHROME FREE SEALER.

BUS BAR: ELECTROLYTIC COPPER OF 98% CONDUCTIVITY, BASED ON 1000 AMPS PER SQUARE INCH DENSITY, SILVER PLATED.

WIRE BENDING GUTTER: MEETS OR EXCEEDS NEC TABLES 312-6(a), 312-6(b).

BREAKER: SQUARE D POWERPACT LG 1200 AMP FRAME, 4 POLE. BREAKER EQUIPPED WITH THERMAL-MAGNETIC TRIP UNIT (SEE TABLE), TWO AUXILIARY CONTACTS, TWO ALARM CONTACTS, AND 24VDC UNDER VOLTAGE RELEASE.

BREAKER RATING: 20,000 A. I. C. AT 500VDC (LOADED), 600VDC (FLOATING).

LABELING: CABINET PROVIDED WITH UL 891 LABEL.

This Document Contains Proprietary and Confidential Information.

Duplication, reproduction or use of this document or its contents in any form other than as expressly permitted by Kinney Electrical Mfg. Co., is prohibited.

MITSUBISHI ELECTRIC POWER PRODUCTS, INC.
WARRENDALE, PA

REVISIONS

1 REVISED PART #'S - S TO D 5-20-16

PART NO. **SEE TABLE**

DESCRIPTION **480V DC LANDING CABINET - 1200 AMP MAX**

MEPPI APPROVED **MAB**

KINNEY APPROVED **RFM**

REVISION **1**

DATE **4-5-2016**

CAD FILE

DRAWING NO.

SHEET

DRAWN BY **RFM**

DCF99001200A03

M0000544

2 OF 2