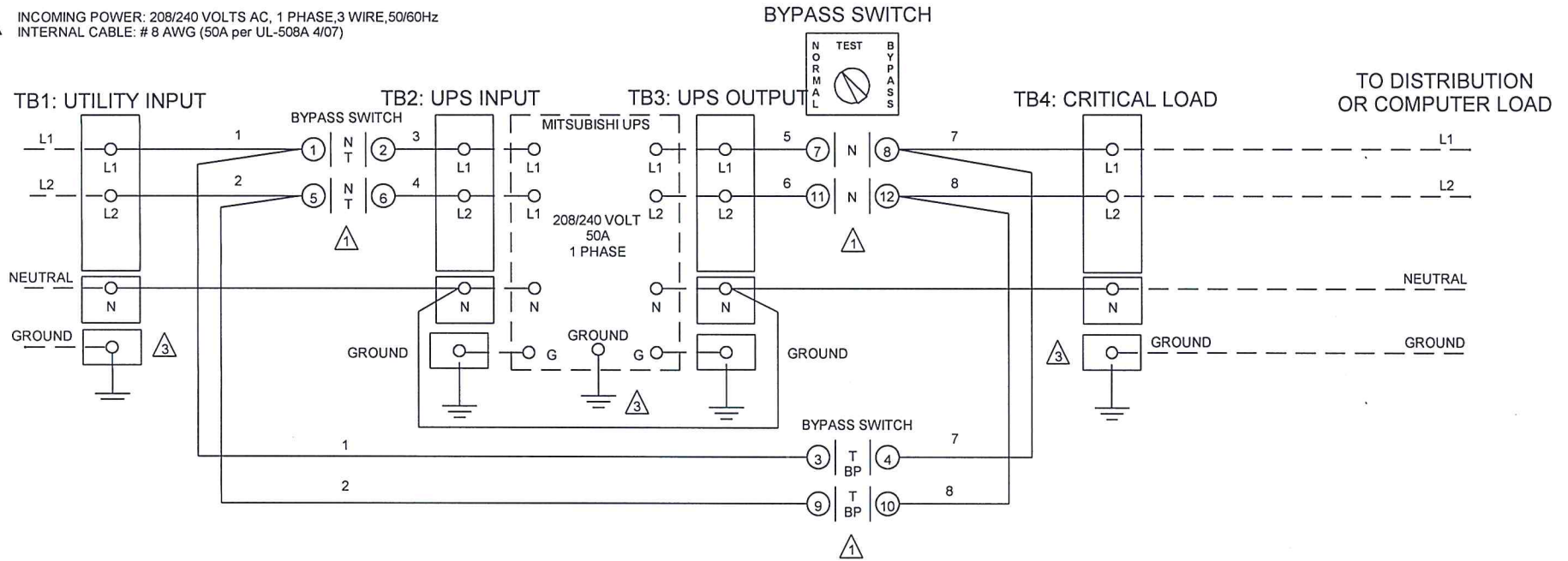


△ INCOMING POWER: 208/240 VOLTS AC, 1 PHASE, 3 WIRE, 50/60Hz  
 INTERNAL CABLE: # 8 AWG (50A per UL-508A 4/07)



**NOTES:**

△ 1 SWITCH CONTACTS ARE "MAKE-BEFORE-BREAK"  
 POS. 1: CONTACTS MARKED "N" ARE CLOSED IN THE "NORMAL" POSITION.  
 POS. 2: CONTACTS MARKED "T" ARE CLOSED IN THE "TEST" POSITION.  
 POS. 3: CONTACTS MARKED "BP" ARE CLOSED IN THE "BYPASS" POSITION.

△ 2 DISCONNECT SWITCH AND BRANCH CIRCUIT PROTECTION TO BE PROVIDED BY INSTALLER.

△ 3 ALL GROUNDS ARE ISOLATED FROM NEUTRAL.

PART NUMBER MBS-7011A-3

CUSTOMER MITSUBISHI UPS GROUP

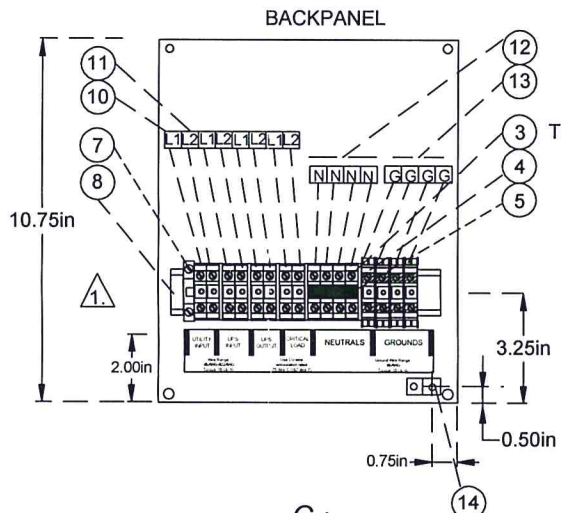
Replaces drawing #: MBS-7011A-3-S-0603			
REV.	DATE:	DESC.:	APPR :
REV. A:	04/16/07	Updated UL.wire amperage info.	D.U.
REV. B:	05/14/08	Changed wording of input requirements.	D.U.
REV. C:			
REV. D:			
DRAWING NO:		MBS-7011A-3-S-0204	



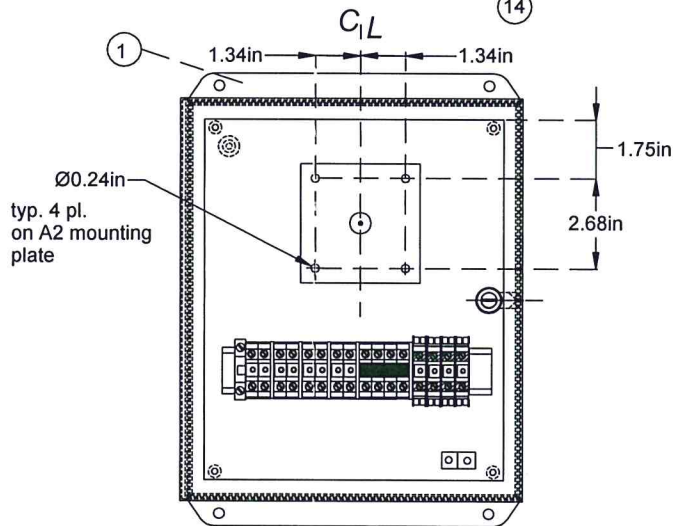
**MITSUBISHI  
 UPS GROUP**

DESCRIPTION 50A, 2 pole MBC schematic

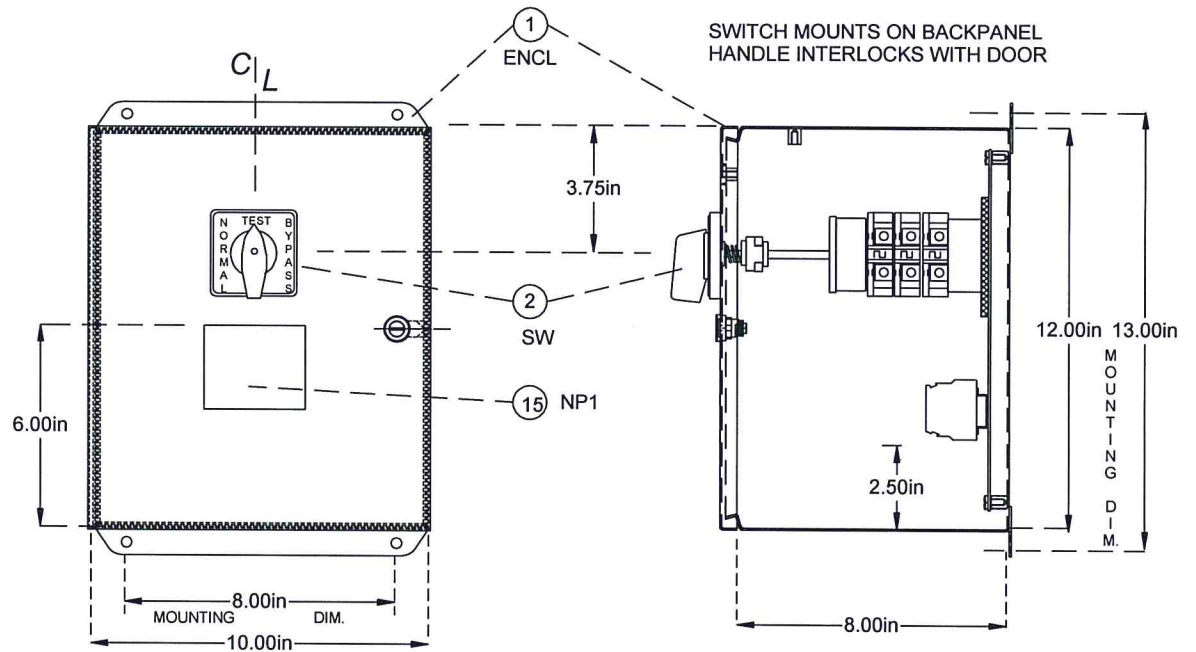
DRAWN BY: MFN DATE: 02/05/04 APPROVAL : D.U. DATE: 02/05/04



MOUNT TERMINAL BLOCKS ON DIN RAIL AS SHOWN. PLACE T.B. LABEL BELOW TERMINALS TO MATCH INPUTS AND OUTPUTS



SWITCH IS MOUNTED ON BACKPANEL AND CABLED TO TERMINALS WITH #8 AWG WIRE.



NOTES:

1 Center 8" din rail and screenprinted nameplate on backpanel.

2

PART NUMBER

MBS-7011A-3

MITSUBISHI UPS GROUP

DESCRIPTION

50A, 2 pole MBC dimensional

Replaces drawing #: MBS-7011A-3-D-0603

DRAWN BY: MFN

DATE: 02/05/04

APPROVAL: D.U.

DATE: 02/05/04

REV.	DATE:	DESC.:	APPR.:
REV. A:	2/27/04	Added dims for mounting sw. to bp and spacers	MFN
REV. B:	06/10/05	Mitsubishi needs to supply decals. Do not apply if not available.	D.U.
REV. C:	07/05/05	Added jumper to neutrals	D.U.
REV. D:	04/18/12	Label changes and additions	D.U.
REV. E:	05/31/12	Removed terminal block clamp	D.U.
REV. F:	01/21/13	Actual N63 switch now shown. Changed mtg. dims again.	D.U.
REV. G:	09/25/13	Removed standoffs. Switch has longer shaft	D.U.
DRAWING NO:		MBS-7011A-3-D-0205	



MITSUBISHI UPS GROUP