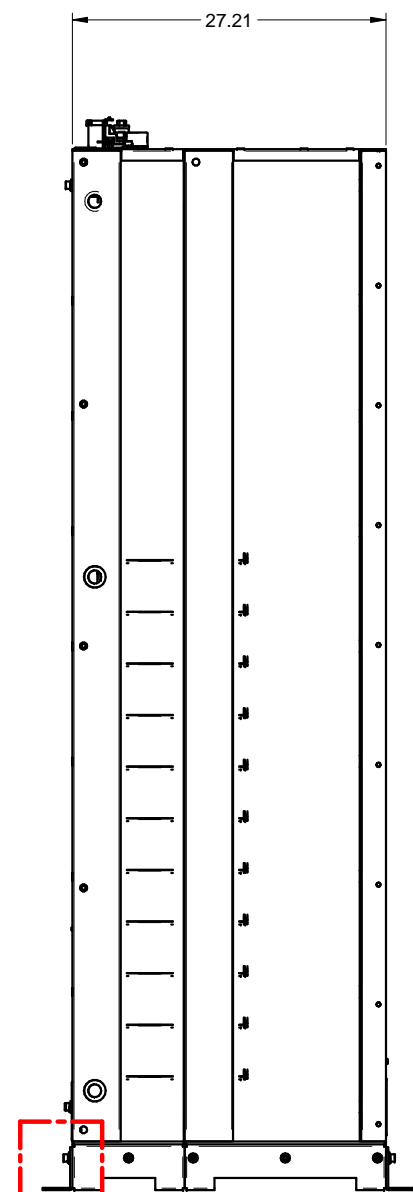
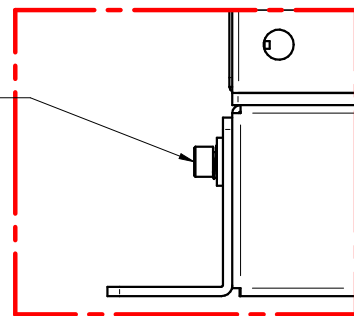


FRONT VIEW
(DOORS REMOVED)

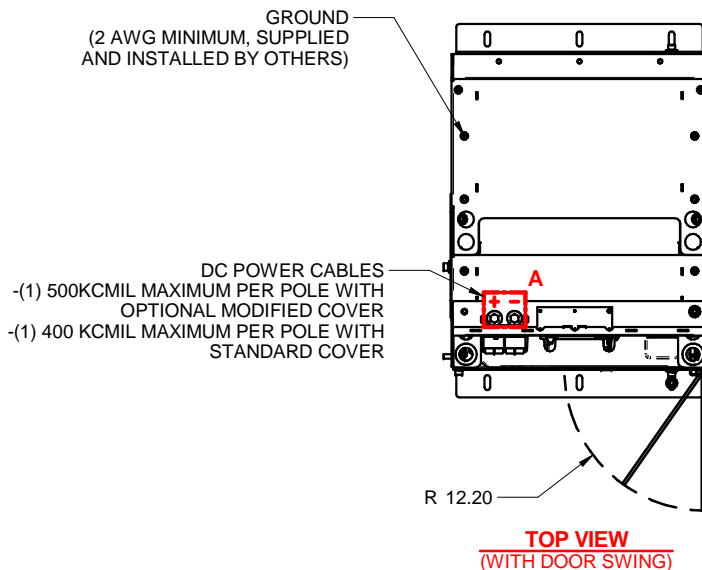


SIDE VIEW

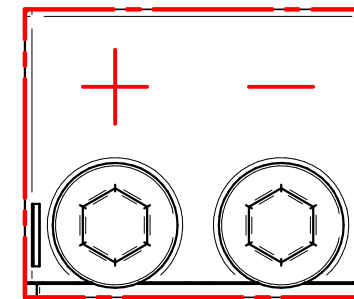
SEE OWNERS MANUAL FOR
ANCHOR BRACKET TORQUE VALUES



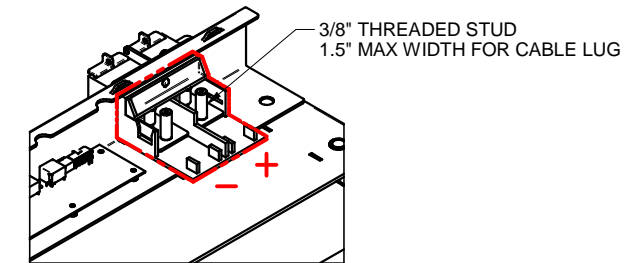
DETAIL B
TYPICAL 2 PLACES
RETAIN BRACKETS AFTER SHIPPING



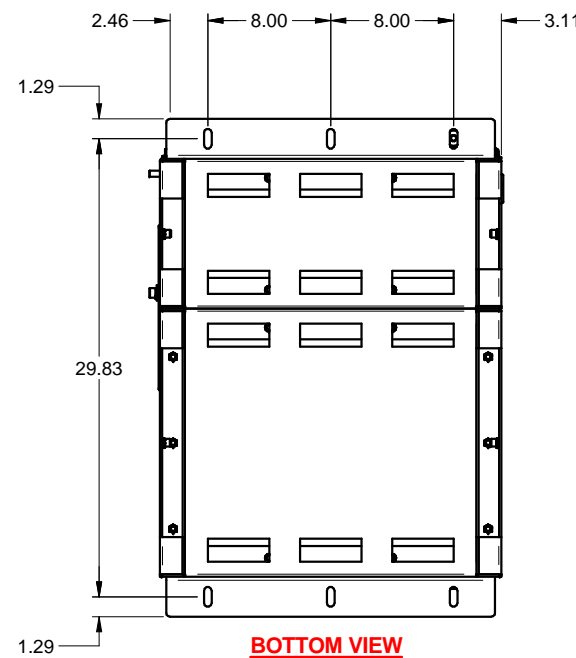
TOP VIEW
(WITH DOOR SWING)



DETAIL A
DC TERMINAL COVER

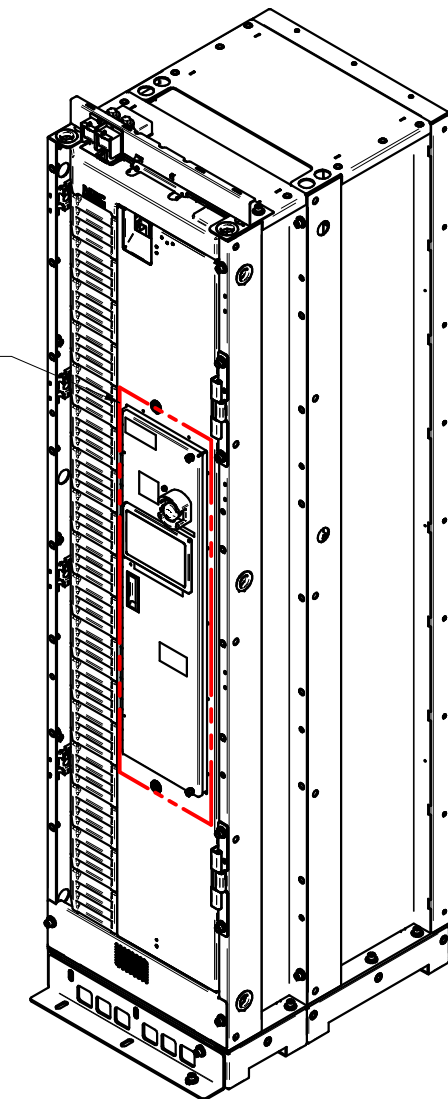


POWER CONNECTIONS
(COVER REMOVED FOR CLARITY)



BOTTOM VIEW

ONLY ONE INTERGRATED ZONE
CONTROLLER REQUIRED PER SYSTEM

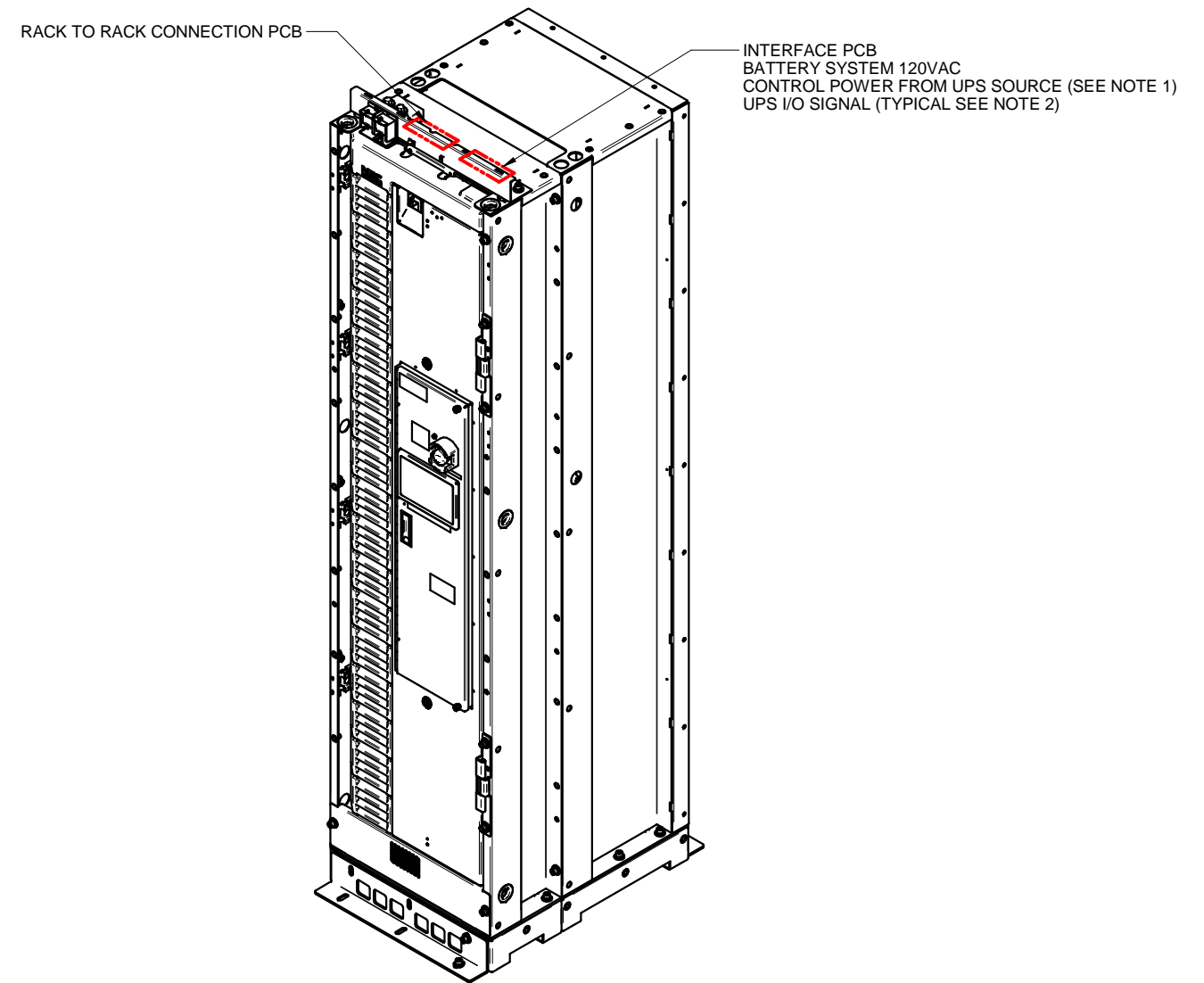
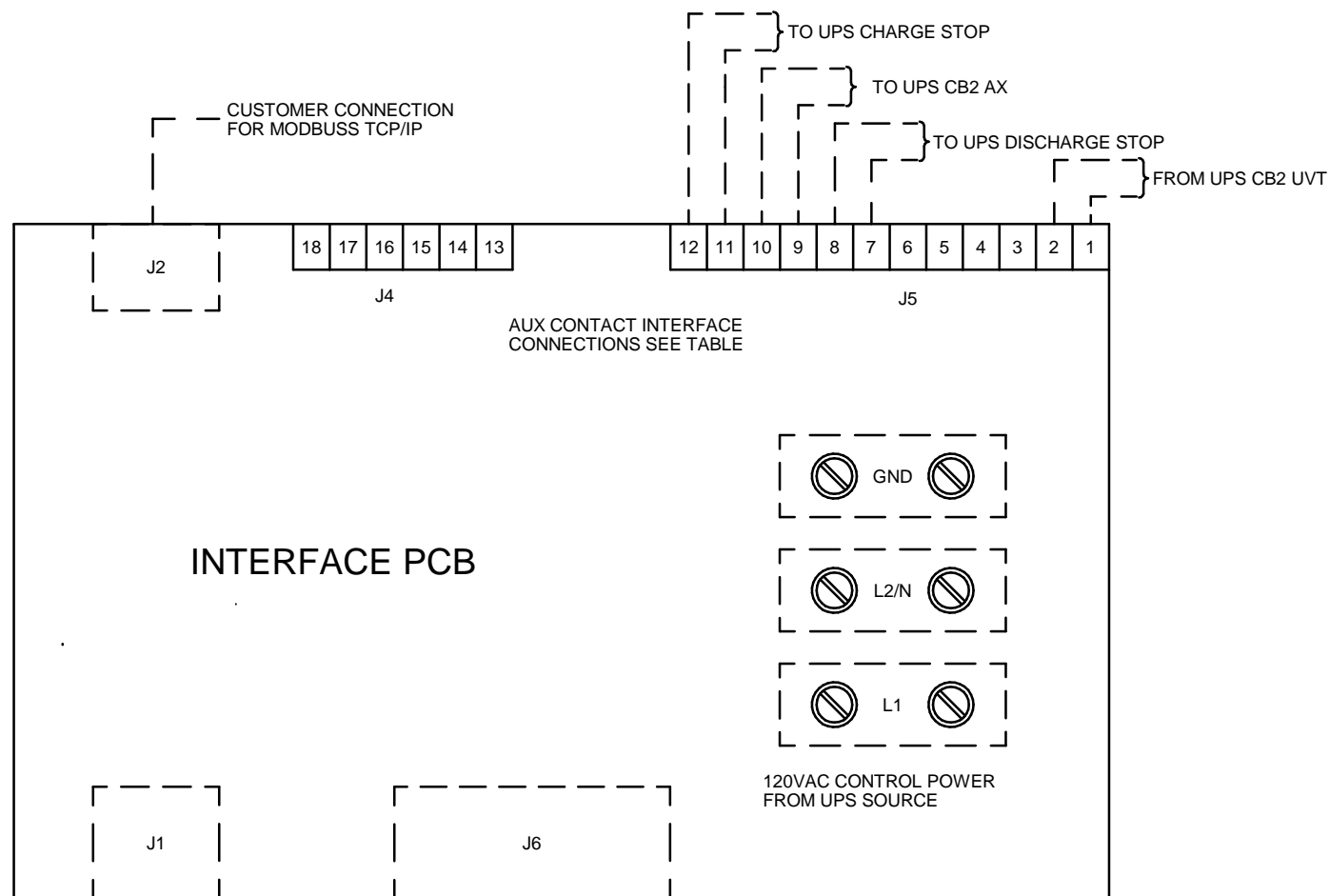


- NOTES:
 1. 120W MAXIMUM (SUPPLIED AND INSTALLED BY OTHERS).
 2. 8 SIGNAL WIRES REQUIRED (6 SIGNAL WIRES FOR 9900C/CX), 22-16 AWG WIRE SIZE (SUPPLIED AND INSTALLED BY OTHERS).
 3. RACK SPECIFICATIONS:
 132 kW MAX POWER
 462-588 VDC OPERATING VOLTAGE RANGE

NEC 2P

REVISIONS
0 RELEASED FOR CONSTRUCTION
Z.ZAJAC 10/3/2018

DIMENSIONS IN: IN [MM] (REF)	SCALE - NTS -	DRAFTER Z.ZAJAC	DATE 10/3/18	<p>MITSUBISHI ELECTRIC</p>
<p>PROPRIETARY This document is the property of Mitsubishi Electric Power Products, Inc. and contains proprietary and confidential information which must not be duplicated, used or disclosed other than as expressly authorized by Mitsubishi Electric Power Products, Inc.</p>		APPROVED N.RIEMER	DATE 10/3/18	
CORE/REFERENCE DRAWING (IF APPLICABLE)				TITLE NEC 2P LITHIUM ION BATTERY CABINET
DWG. NO. UD-100848		SHEET 1 OF 2		REV. 0



UPS I/O SIGNALS	
PIN	SIGNAL
J5-1	+24V BATTERY ENABLE
J5-2	BATTERY ENABLE
J5-3	SPARE
J5-4	SPARE
J5-5	SPARE
J5-6	SPARE
J5-7	DISCHARGE STOP C
J5-8	DISCHARGE STOP NO
J5-9	RACK CONNECTED C
J5-10	RACK CONNECTED NO
J5-11	CHARGESTOP C
J5-12	CHARGE STOP NO

INTERFACE PCB

REVISIONS
0. RELEASED FOR CONSTRUCTION
Z.ZAJAC 10/3/2018

DIMENSIONS IN: IN [MM] (REF)	SCALE - NTS -	DRAFTER Z.ZAJAC	DATE 10/3/18	MITSUBISHI ELECTRIC
<small>PROPRIETARY</small> <small>This document is the property of Mitsubishi Electric Power Products, Inc. and contains proprietary and confidential information which must not be duplicated, used or disclosed other than as expressly authorized by Mitsubishi Electric Power Products, Inc.</small>		APPROVED N.RIEMER	DATE 10/3/18	
CORE/REFERENCE DRAWING (IF APPLICABLE)				DWG. NO. UD-100848
				SHEET 2 OF 2 REV. 0