

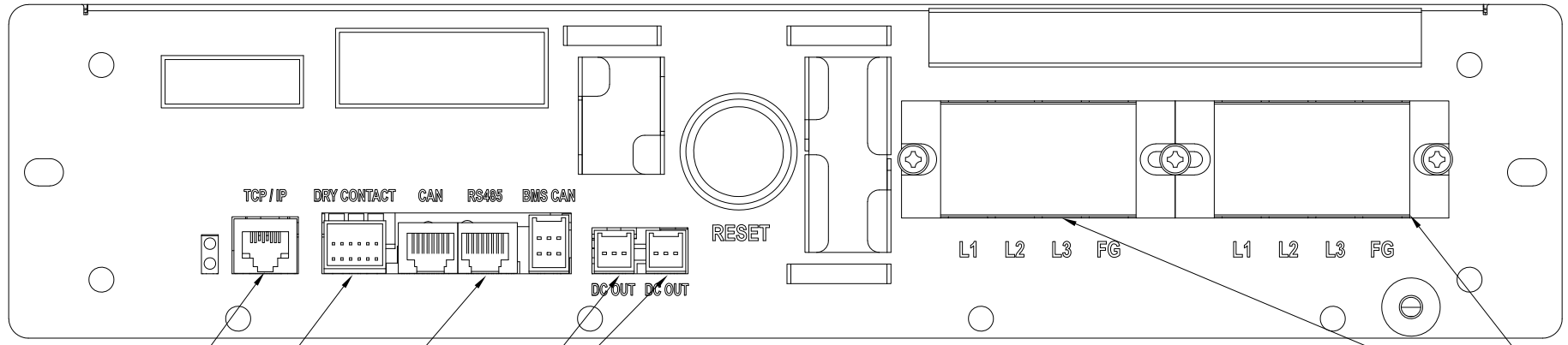
- NOTES:
1. REDUNDANT CONTROL POWER SUPPLIES, 480VAC, 3 PHASE + GROUND, 0.1A (SUPPLIED AND INSTALLED BY OTHERS)
 2. 8 SIGNAL WIRES REQUIRED (6 SIGNAL WIRES FOR 9900C/CX, 22-16 AWG WIRE SIZE (SUPPLIED AND INSTALLED BY OTHERS))
 3. RACK SPECIFICATIONS.
- 184 kW CONTINUOUS, 257kW MAX POWER
340-582 VDC OPERATING VOLTAGE RANGE

SAMSUNG LITHIUM ION

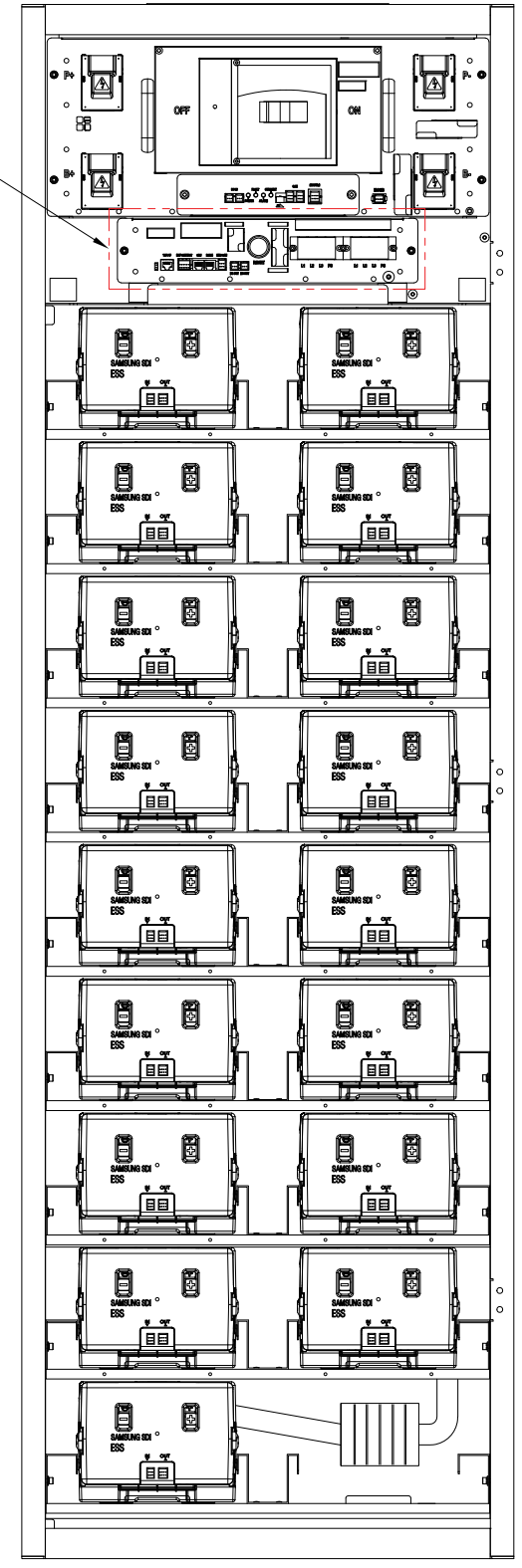
REVISIONS

0	INITIAL RELEASE
1	ECN 1256
2	E.MACDONALD
3	05/01/2019

DIMENSIONS IN: IN [MM]	SCALE - NTS -	DRAFTER E.MACDONALD	DATE 05/01/2019	<p>MITSUBISHI ELECTRIC</p>
PROPRIETARY		APPROVED A.WINTER	DATE 05/15/2019	
<small>This document is the property of Mitsubishi Electric Power Products, Inc. and contains proprietary and confidential information which must not be disclosed, used or disclosed other than as expressly authorized by Mitsubishi Electric Power Products, Inc.</small>				TITLE CABINET;BATTERY;LITHIUM ION;SAMSUNG
CORE [REFERENCE] DRAWING		DWG. NO.	SHEET 1 OF 2	REV. 0
		UD-100945		



SYSTEM BMS

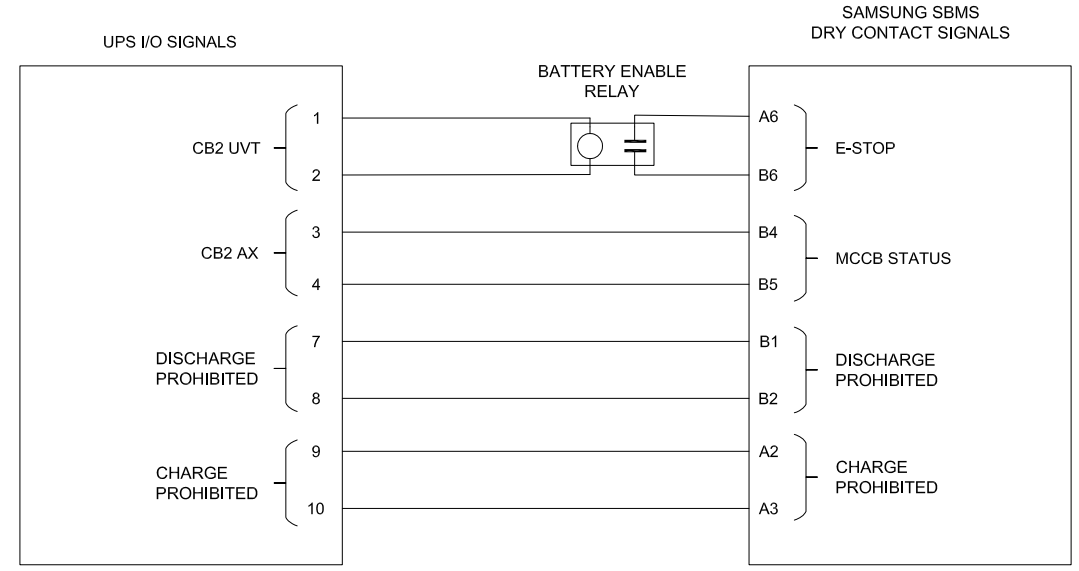


AC INLET TERMINAL
SEE NOTE 1

4x - M4

12.0mm

TYPICAL SIGNAL CONNECTIONS TO UPS
SEE NOTE 2



SYSTEM BMS INTERFACE

REVISIONS
0 INITIAL RELEASE
ECN 1256
E.MACDONALD
05/01/2019

DIMENSIONS IN: IN (MM)	SCALE - NTS -	DRAFTER E.MACDONALD	DATE 05/01/2019	<p>MITSUBISHI ELECTRIC</p>
PROPRIETARY		APPROVED A.WINTER	DATE 05/15/2019	
<small>This document is the property of Mitsubishi Electric Power Products, Inc. and contains proprietary and confidential information which must not be disclosed, used or disclosed other than as expressly authorized by Mitsubishi Electric Power Products, Inc.</small>				TITLE CABINET;BATTERY;LITHIUM ION;SAMSUNG
CORE [REFERENCE] DRAWING			DWG. NO.	SHEET 2 OF 2 REV.
			UD-100945	0