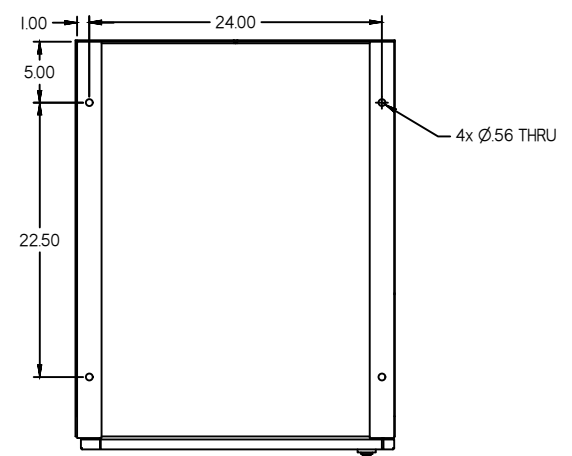


TOP VIEW
SHOWING CABLE ENTRY



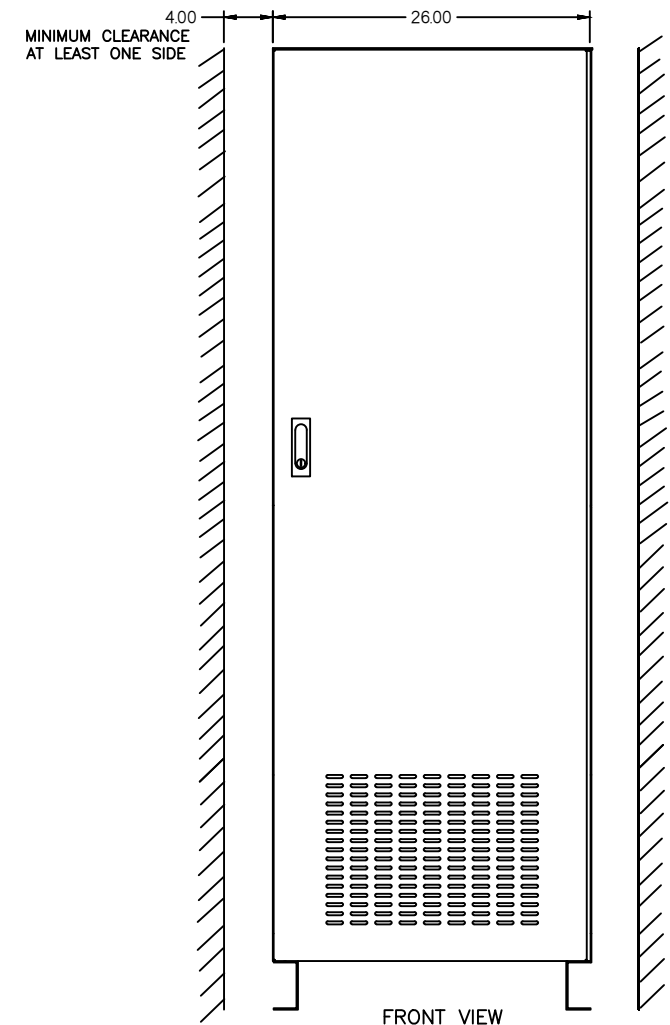
BOTTOM VIEW
SHOWING MOUNTING HOLES

SPECIFICATIONS

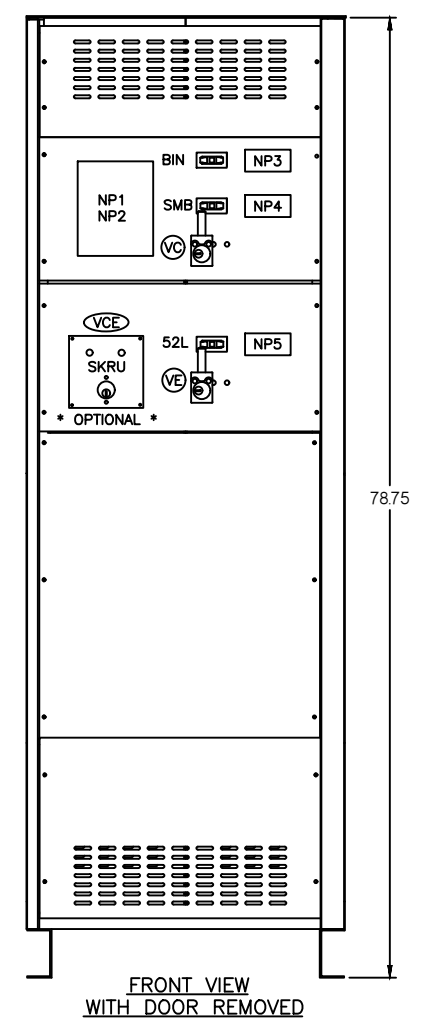
- S1. SYSTEM RATING:
 VOLTAGE: PRIMARY: 480V/, 3P/3W, 60Hz
 SECONDARY: 208V, 3P/4W 200% NEUTRAL, 60Hz
 AMPERES: 80kVA-125AT, 100kVA-150AT, 150kVA-225AT
- S2. INTERRUPT RATING: THE SHORT CIRCUIT INTERRUPTING CAPABILITY IS 35,000 RMS SYMMETRICAL AMPERES AT 480 VOLTS, BASED ON THE LOWEST SHORT CIRCUIT CURRENT RATING OF THE INDIVIDUAL OR SERIES RATED COMBINATION DEVICE INSTALLED AT TIME OF MANUFACTURE. THE BUSSING STRUCTURE IS CONSTRUCTED TO WITHSTAND FAULTS OF 35,000 RMS SYMMETRICAL AMPERES.
- S3. ALL COPPER BUSS RATED AT 1000A PER SQUARE INCH.
- S4. TRANSFORMER (T1) IS K13, DOE 2016. ALUMINUM WINDINGS (STANDARD).
- S5. SHIPPING WEIGHTS (LBS) w/TRANSFORMER: 80kVA-1080, 100kVA-1211, 150kVA-1315.

GENERAL NOTES:

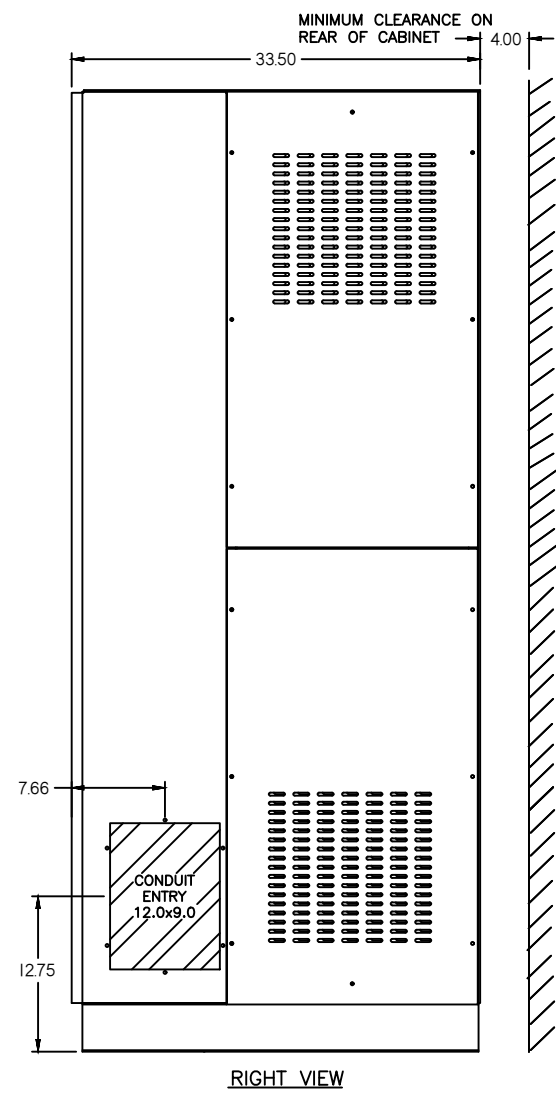
- NEMA 1 CONSTRUCTION, BUILT TO UL891, LISTED TO UL1778. TO BE IN ACCORDANCE WITH MITSUBISHI BYPASS PANEL SPECIFICATION U-ENS00092.
- FRONT AND SIDE ACCESS ONLY.
- FINISH: POWDER COAT.
- LABELS TO CONFORM TO UL969, MARKING & LABELING SYSTEMS.
- DOOR SWING 100° MAX.



FRONT VIEW



FRONT VIEW
WITH DOOR REMOVED



RIGHT VIEW

PART NUMBER BREAK DOWN
MPC-BKM0125YSE0350005

- MFR
- NUMBER OF LOAD CENTERS: N/A
- NUMBER OF SUBFEED BREAKERS: N/A
- KAIC RATING: 035, 065
- INTERLOCK TYPE: K=KIRKKEY, E=SKRU
- BREAKER MANUFACTURER: S=SIEMENS
- TRANSFORMER: Y=DELTA WYE, ALUMINUM XFMR
- RATING (A): 0125, 0150, 0225
- OUTPUT VOLTAGE: B=120/208, M=277/420
- INPUT VOLTAGE: K=480
- COLOR: A=BEIGE, B=BLACK

REVISIONS
0 INITIAL RELEASE NRR 05/15/09
1 REVISED CABINET LAYOUT NRR 05/15/12
2 DELTA ZIG ZAG ONE LINE RJM 07/30/12
3 VARIOUS CHANGES GDJ 3/5/15
4 ADDED SHEET 3 CHANGED INFO ON XFMR GDJ 11/14/16
5 UPDATED PART NUMBER MATRIX Z.ZAJAC 9/22/21

DWG. IN: INCHES [MM]	SCALE: NTS	DRAFTER: N.RIEMER	DATE: 05/15/09
PROPRIETARY THIS DOCUMENT IS PROPERTY OF MITSUBISHI ELECTRIC POWER PRODUCTS, INC. AND CONTAINS PROPRIETARY AND CONFIDENTIAL INFORMATION WHICH MUST NOT BE DUPLICATED, USED OR DISCLOSED OTHER THAN AS EXPRESSLY AUTHORIZED BY MITSUBISHI ELECTRICAL POWER PRODUCTS, INC.		CHECKED: N.RIEMER	DATE: 05/15/09
REF. DWG. NO.:	APPROVED: N.RIEMER	ENGINEER: N.RIEMER	DATE: 05/15/09
FILE LOCATION:			

MITSUBISHI ELECTRIC

9900A & 2033D PERIPHERAL
80-150KVA BYPASS TRANSFORMER

SHEET 1 OF 3
UD-100020

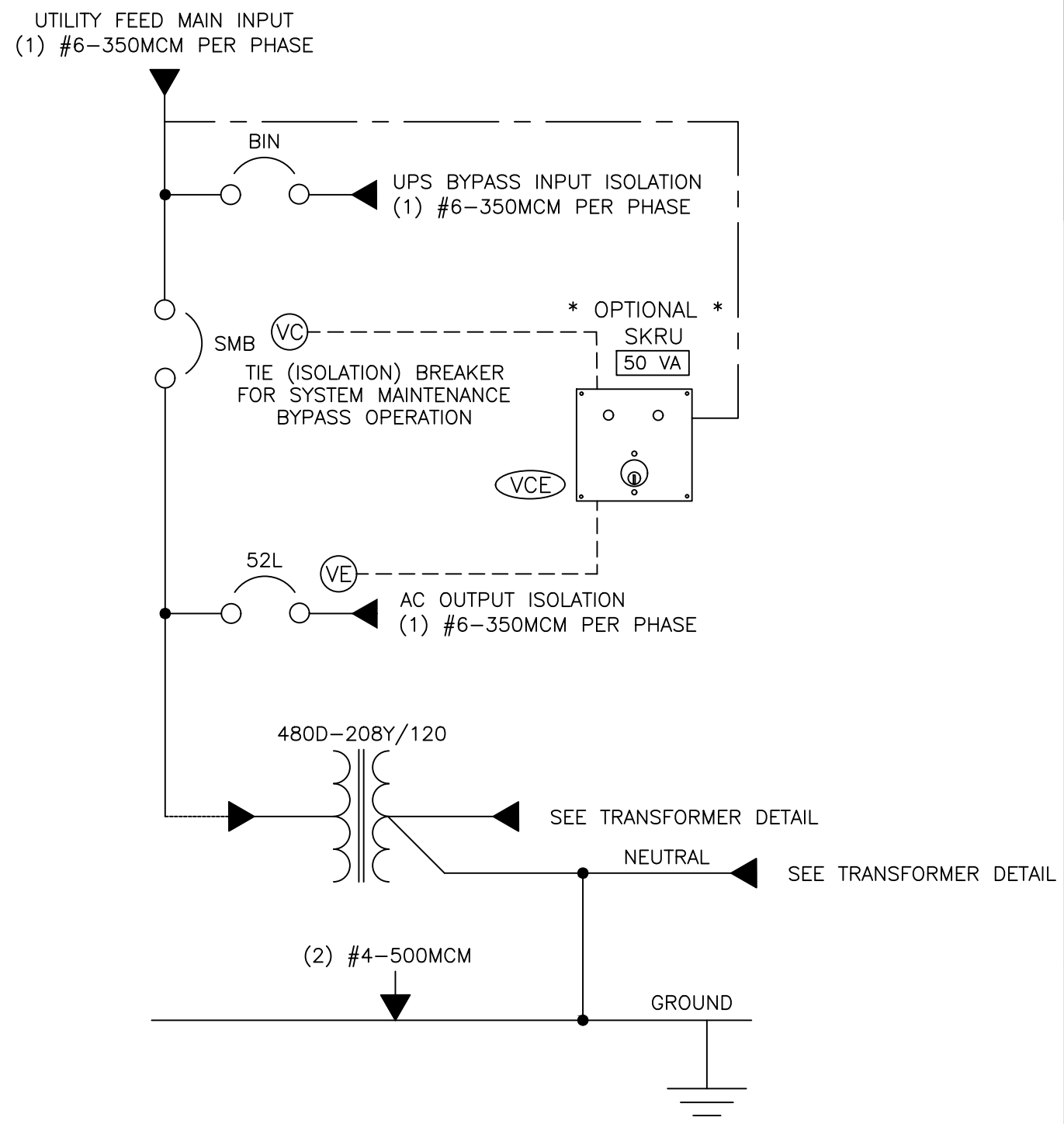
CIRCUIT BREAKER SUMMARY							
BYPASS BREAKER							
UPS kVA	Mfg.	BREAKER SIZE	FRAME SIZE	TRIP SETTING	P/N	BREAKER AIC	WIRE RANGE
80	SIEMENS	F-FRAME	250A	125AT-TM	FXD63B125	35k	(1) #6 -350kcmil
100				150AT-TM	FXD63B150		
150				225AT-TM	FXD63B225		

ITEM	NAMEPLATE LEGEND
NP1	KIRK KEY PROCEDURE LABEL AE-ENP00032
NP2	SKPM PROCEDURE LABEL AE-ENP00033
NP3	BIN NAMEPLATE UA-100021H01
NP4	SMB NAMEPLATE UA-100021H02
NP5	52L NAMEPLATE UA-100021H03

TRANSFORMER TERMINAL DETAIL					
PART NUMBER	KVA	LUG/TERMINAL DETAIL	No. CONDUCTORS PER PHASE	LOW VOLTAGE	
				WIRE SIZE	
				NEUTRAL	PHASE
NMT13K112KBS	112.5	MECHANICAL	2	(4) 350kcmil-6 CU/AL	
NMT13K150KBS	150	MECHANICAL	2	(2) #6-350kcmil	(2) #6-500kcmil

TP1 TRANSFORMER RATINGS							
kVA	PRIMARY	SECONDARY	FREQ.	MATERIAL	TEMP. RISE	K-FACTOR	IZ%
112.5	480	208Y/120	60HZ	A1	150°C	K13	3.40%
150	480	208Y/120	60HZ	A1	150°C	K13	3.90%
112.5	480	480Y/277	60HZ	A1	150°C	K13	3.40%

DELTA Y ONE-LINE DIAGRAM



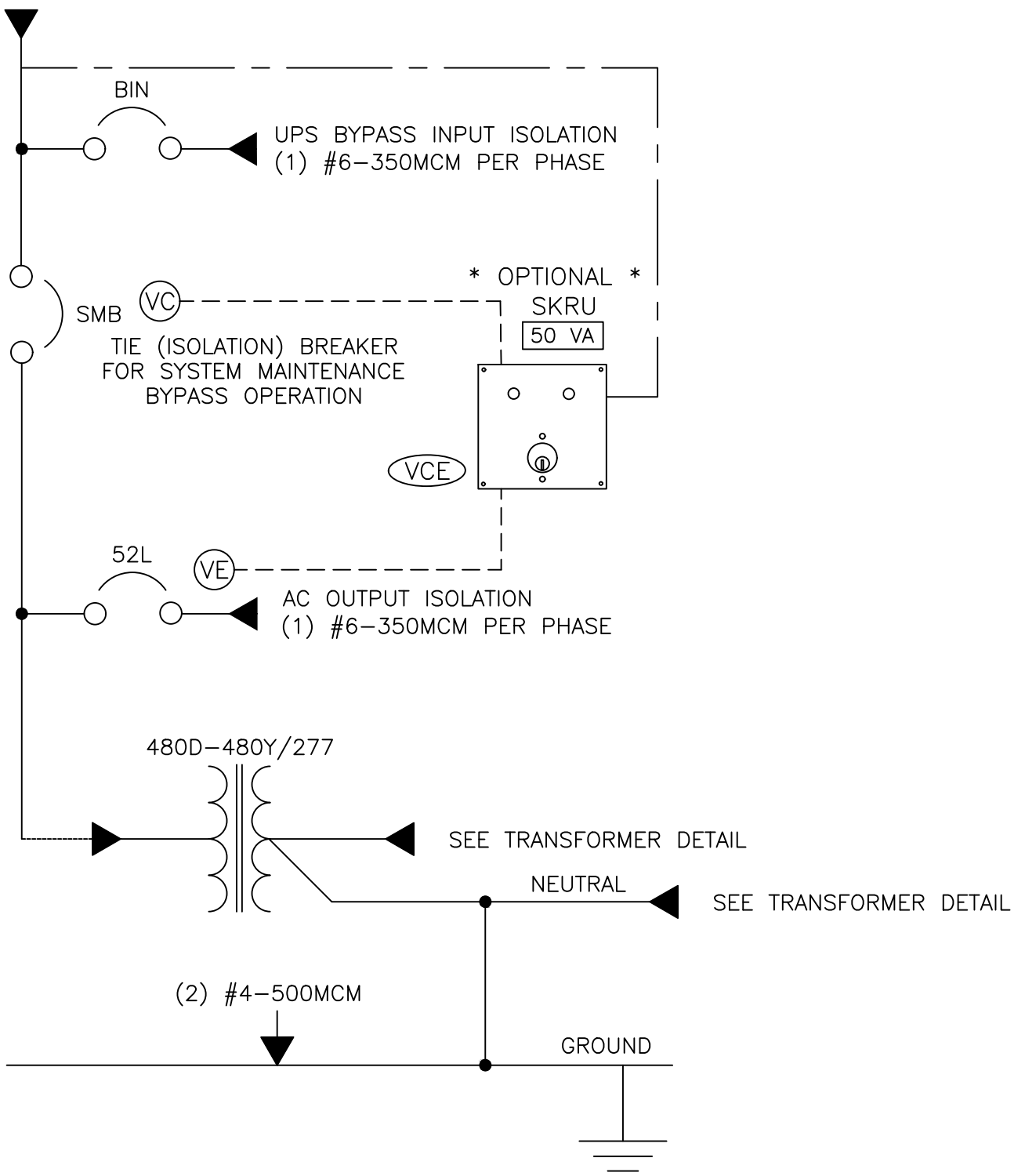
REVISIONS
0 INITIAL RELEASE NRR 05/15/09
1 REVISED CABINET LAYOUT NRR 05/15/12
2 DELTA ZIG ZAG ONE LINE RJM 07/30/12
3 VARIOUS CHANGES GDJ 3/5/15
4 ADDED SHEET 3 CHANGED INFO ON XFMR GDJ 11/14/16
5 UPDATED PART NUMBER MATRIX Z.ZAJAC 9/22/21

DIM. IN: INCHES [MM]	SCALE: NTS	DRAFTER: N.RIEMER	DATE: 05/15/09
<small>PROPRIETARY THIS DOCUMENT IS PROPERTY OF MITSUBISHI ELECTRIC POWER PRODUCTS, INC. AND CONTAINS PROPRIETARY AND CONFIDENTIAL INFORMATION WHICH MUST NOT BE DUPLICATED, USED OR DISCLOSED OTHER THAN AS EXPRESSLY AUTHORIZED BY MITSUBISHI ELECTRICAL POWER PRODUCTS, INC.</small>		CHECKED: N.RIEMER	DATE: 05/15/09
REF. DWG. NO.:	APPROVED: N.RIEMER	ENGINEER: N.RIEMER	DATE: 05/15/09
FILE LOCATION:			

9900A & 2033D PERIPHERAL
80-150KVA BYPASS TRANSFORMER
SHEET 2 OF 3
UD-100020

DELTA Y ONE-LINE DIAGRAM

UTILITY FEED MAIN INPUT
(1) #6-350MCM PER PHASE



REVISIONS
0 INITIAL RELEASE NRR 05/15/09
1 REVISED CABINET LAYOUT NRR 05/15/12
2 DELTA ZIG ZAG ONE LINE RJM 07/30/12
3 VARIOUS CHANGES GDJ 3/5/15
4 ADDED SHEET 3 CHANGED INFO ON XFMR GDJ 11/14/16
5 UPDATED PART NUMBER MATRIX Z.ZAJAC 9/22/21

DIM. IN:	SCALE: NTS	DRAFTER: N.RIEMER	DATE: 05/15/09
<small>PROPRIETARY THIS DOCUMENT IS PROPERTY OF MITSUBISHI ELECTRIC POWER PRODUCTS, INC. AND CONTAINS PROPRIETARY AND CONFIDENTIAL INFORMATION WHICH MUST NOT BE DUPLICATED, USED OR DISCLOSED OTHER THAN AS EXPRESSLY AUTHORIZED BY MITSUBISHI ELECTRICAL POWER PRODUCTS, INC.</small>		CHECKED: N.RIEMER	DATE: 05/15/09
REF. DWG. NO.:		ENGINEER: N.RIEMER	DATE: 05/15/09
FILE LOCATION:		APPROVED: N.RIEMER	DATE: 05/15/09

MITSUBISHI ELECTRIC

TITLE: 9900A & 2033D PERIPHERAL
80-150KVA BYPASS TRANSFORMER

DWG NO.: UD-100020 SHEET 3 OF 3 REV: 5