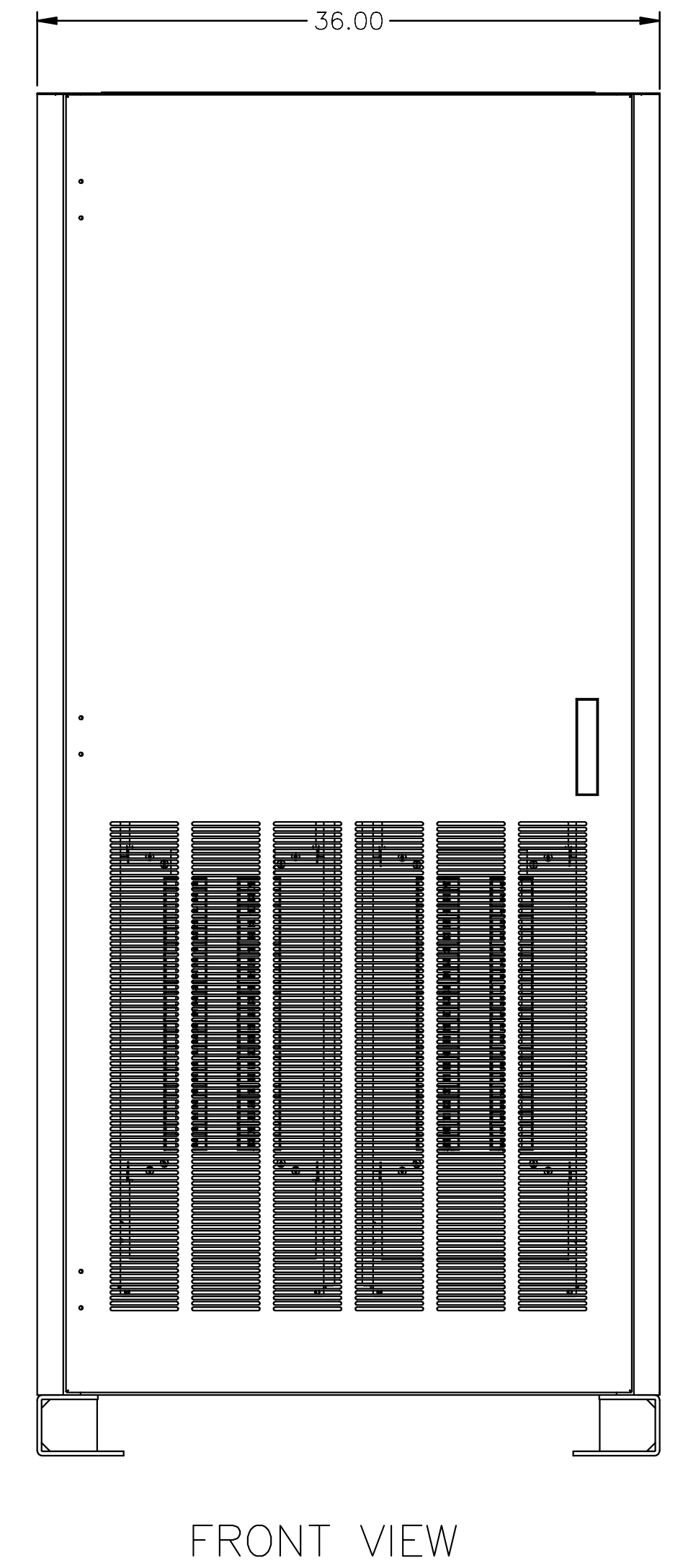
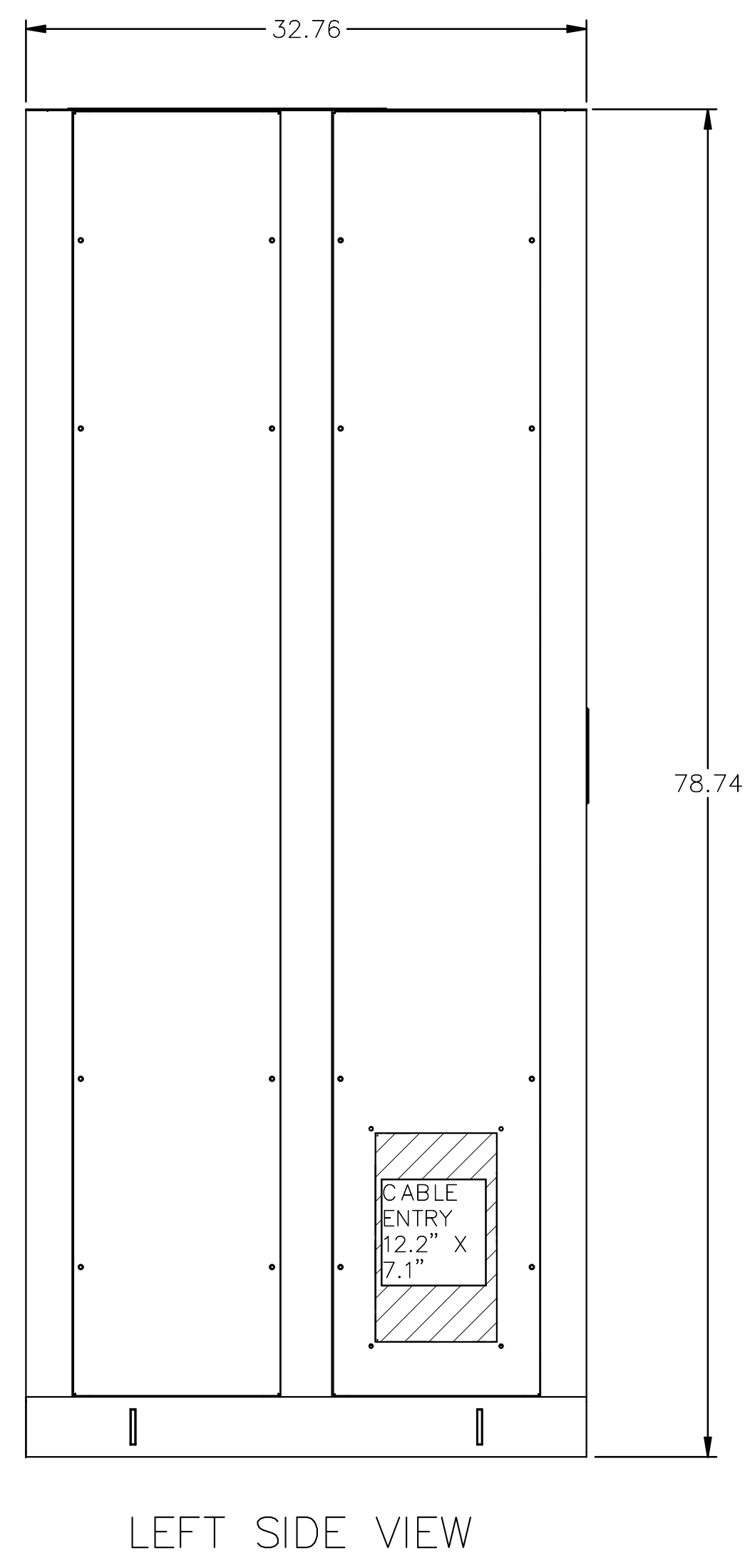
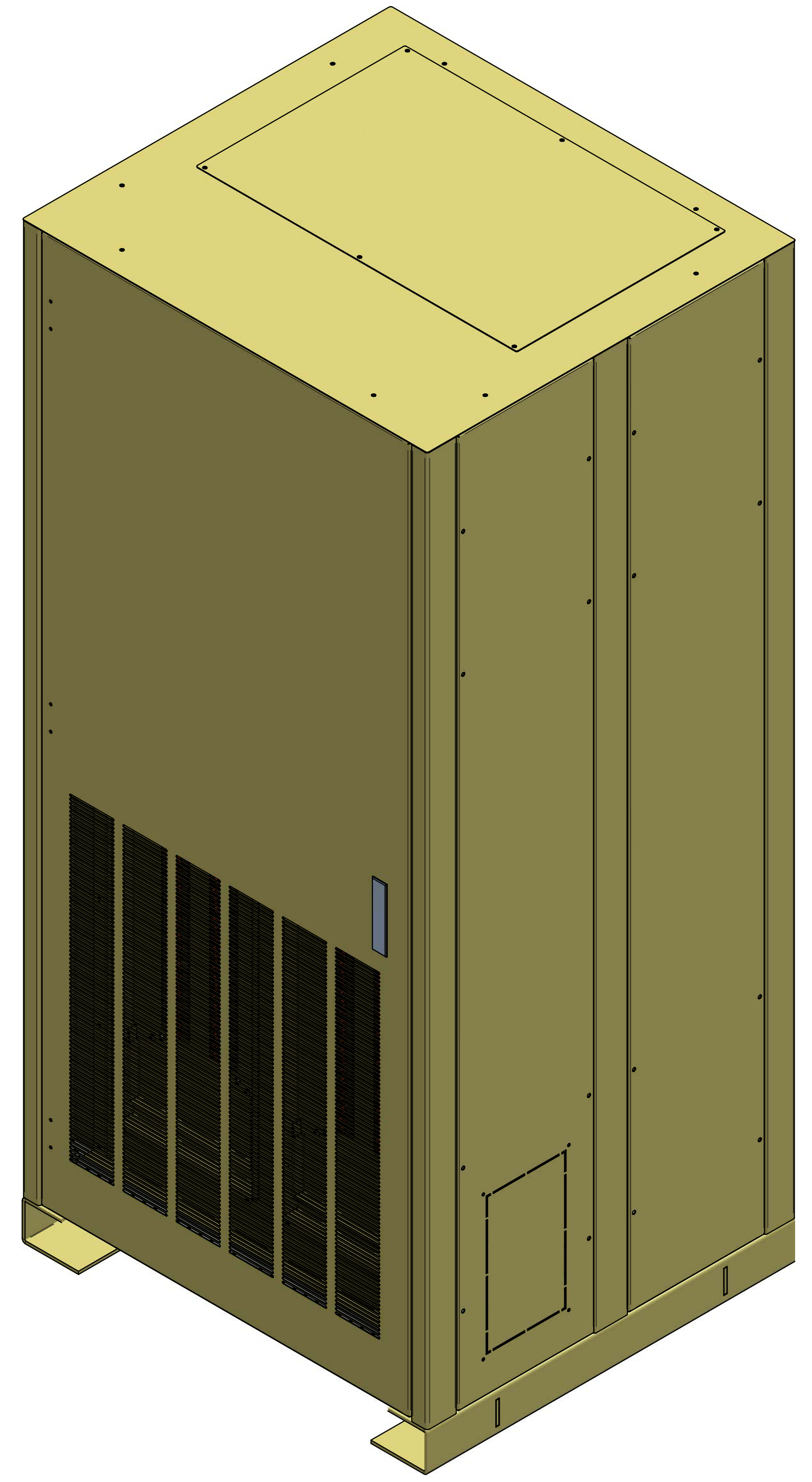


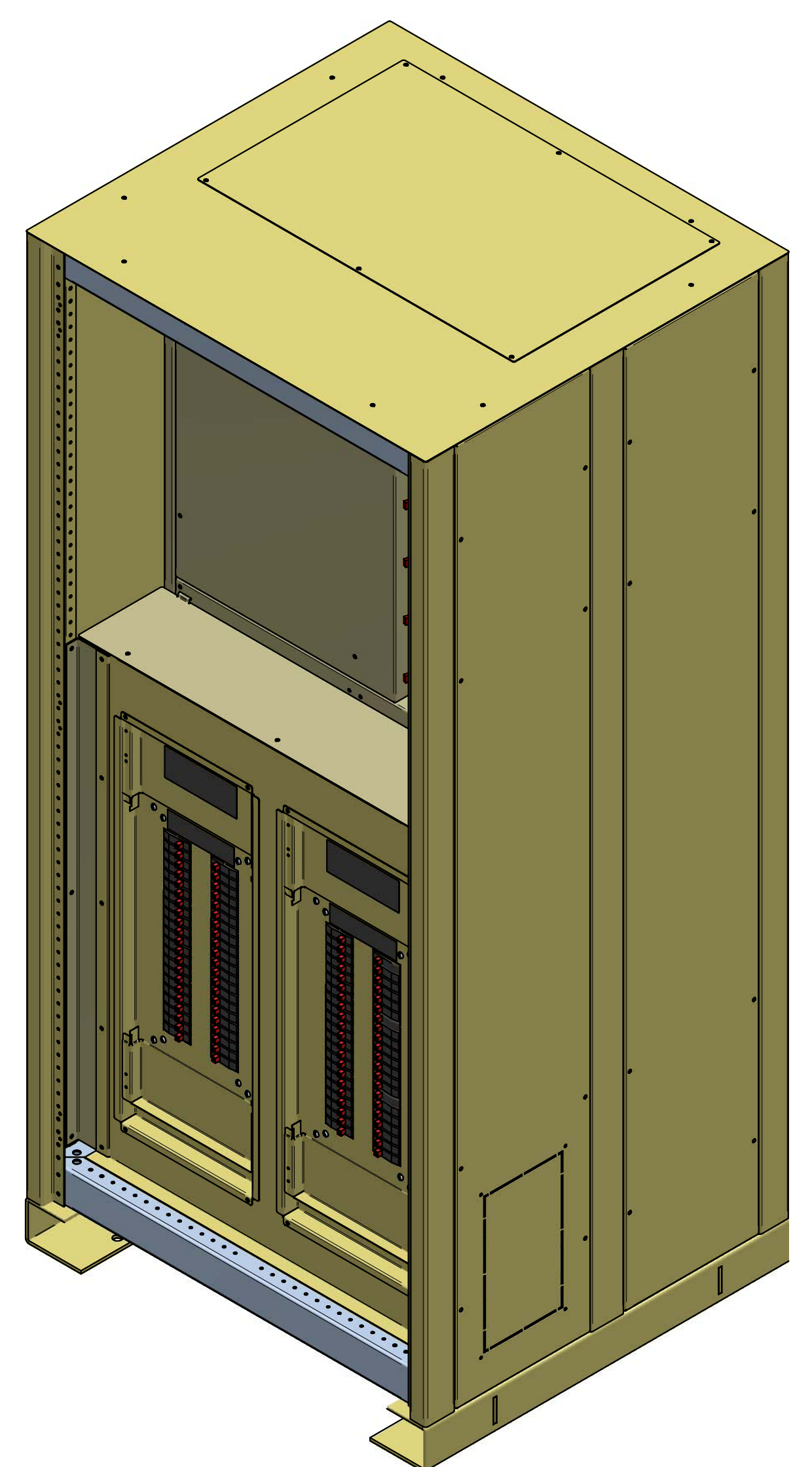
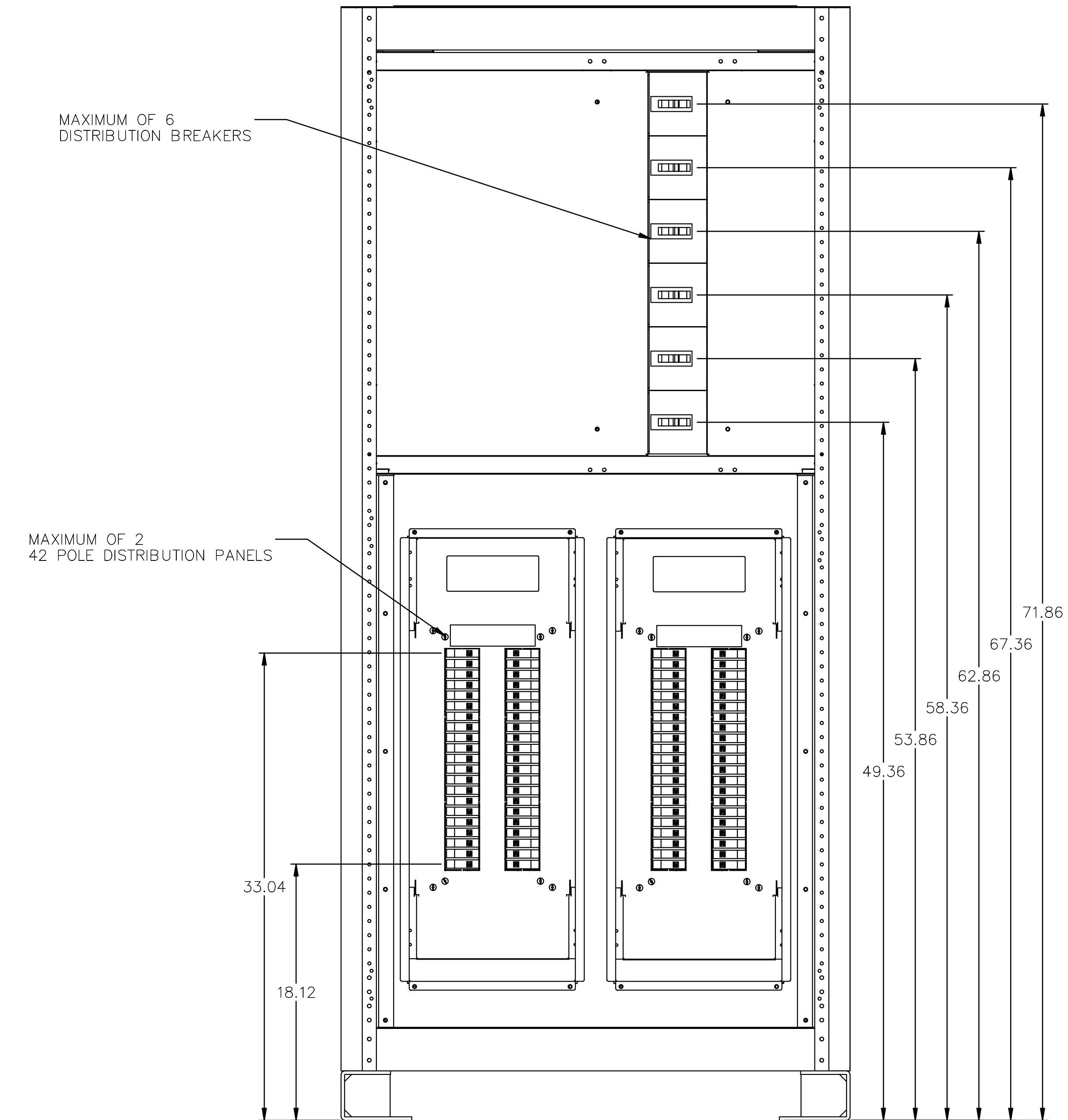
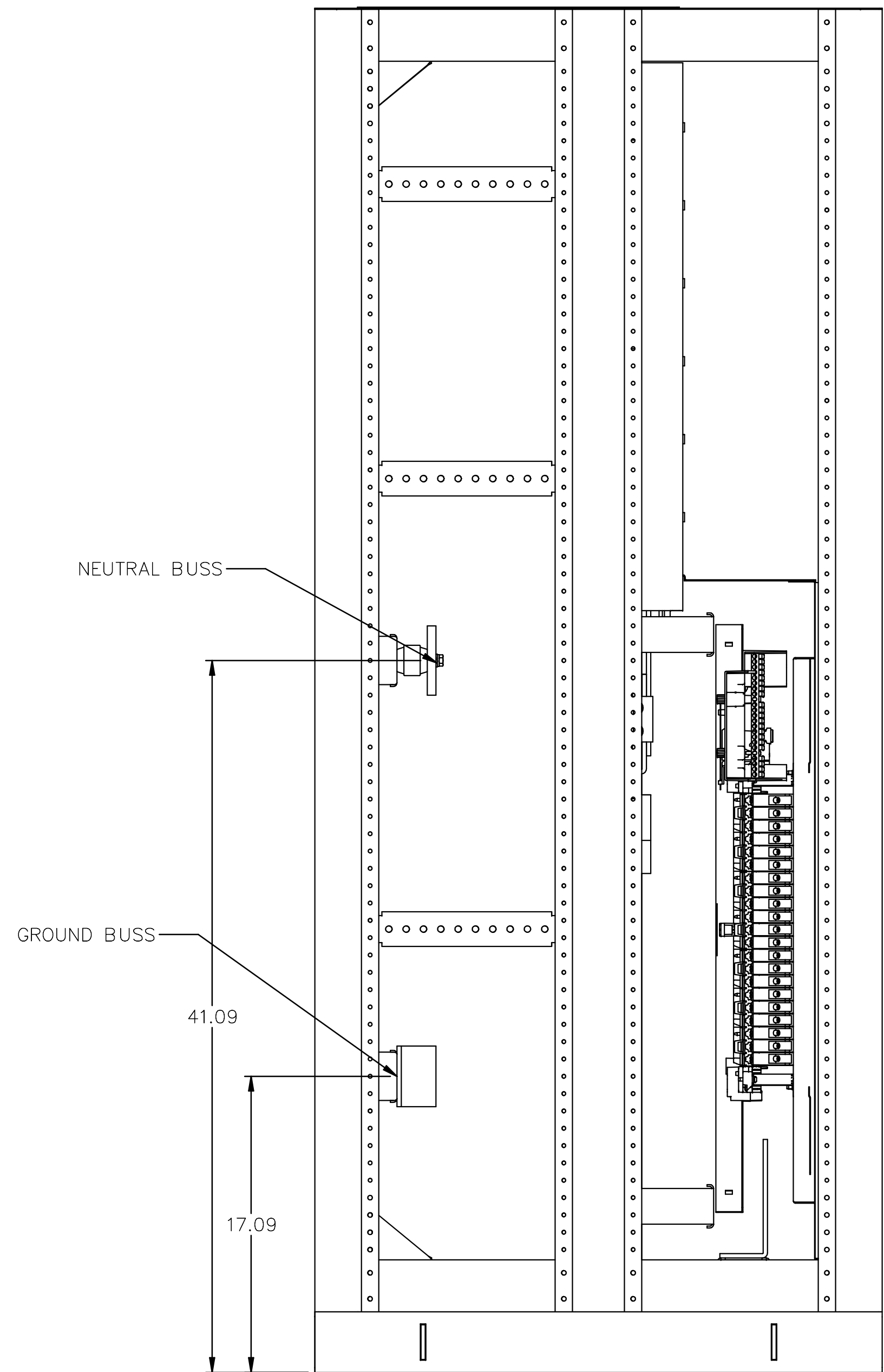
- UD-100374-BB0250D02501B**
- NUMBER OF POLES: BLANK=N/A, B=42
 - NUMBER OF LOAD CENTERS: 0, 1, 2
 - NUMBER OF SUB FEEDS: 0, 1, 2, 3, 4, 5, 6
 - KAIC RATING: 025, 035
 - BREAKER MANUFACTURER: D=SQUARE D
 - BREAKER RATING (A)
 - INPUT VOLTAGE: B=120/208
 - COLOR: A=BEIGE, B=BLACK



NOTES:
1. TOTAL WEIGHT 800LB

REVISIONS
1 INITIAL RELEASE GDJ 4/29/13
2 ADDED CABLE TIE SUPPORTS GDJ 06/26/13
3 REVISED BREAKER DEADFRONTS EGF 11/19/14
4 UPDATED PART NUMBER MATRIX ZZA,JAC 9/22/21

DIMENSIONS IN: IN [MM] REF	SCALE - NTS -	DRAFTER C. JOHNSTON	DATE 4/29/13	<p>MITSUBISHI ELECTRIC</p> <p>TITLE 9900A PERIPHERAL DISTRIBUTION CABINET</p> <p>DWG. NO. UD-100374 SHEET 1 OF 2 REV. 4</p>
<small>PROPRIETARY</small> <small>This document is the property of Mitsubishi Electric Power Products, Inc. and contains proprietary and confidential information which must not be duplicated, used or disclosed other than as expressly authorized by Mitsubishi Electric Power Products, Inc.</small>		CHECKED N. RIEMER	DATE 4/29/13	
<small>QUALITY CONTROL VALIDATION STAMP</small>		ENGINEER E. FALK	DATE 4/29/13	
		APPROVED K. BEAMER	DATE 5/28/13	



REVISIONS
1 INITIAL RELEASE GDJ 4/29/13
2 ADDED CABLE TIE SUPPORTS GDJ 06/26/13
3 REVISED BREAKER DEADFRONTS EGF 11/19/14
4 UPDATED PART NUMBER MATRIX ZZA,JAC 9/22/21

DIMENSIONS IN: IN [MM] REF	SCALE	DRAFTER C. JOHNSTON	DATE	<p>MITSUBISHI ELECTRIC</p> <p>TITLE 9900A PERIPHERAL DISTRIBUTION CABINET</p> <p>DWG. NO. UD-100374 SHEET 2 OF 2 REV. 4</p>
<p>PROPRIETARY</p> <p><small>This document is the property of Mitsubishi Electric Power Products, Inc. and contains proprietary and confidential information which must not be duplicated, used or disclosed other than as expressly authorized by Mitsubishi Electric Power Products, Inc.</small></p>		CHECKED	DATE	
<p>QUALITY CONTROL VALIDATION STAMP</p>		ENGINEER	DATE	
		APPROVED	DATE	