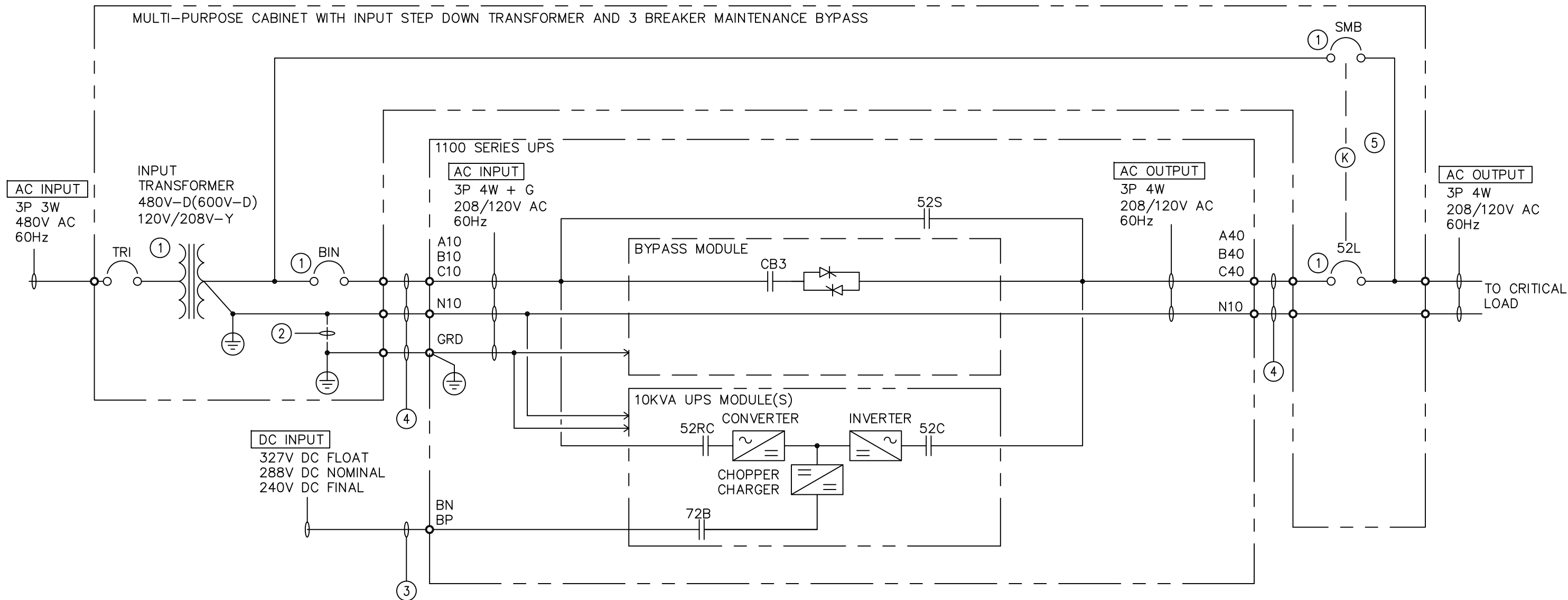


1100 SERIES UPS MULTI-PURPOSE CABINET WITH INPUT STEP DOWN TRANSFORMER AND 3 BREAKER MAINTENANCE BYPASS

MULTI-PURPOSE CABINET WITH INPUT STEP DOWN TRANSFORMER AND 3 BREAKER MAINTENANCE BYPASS



NOTES:

- ① THIS IS A MODULAR UPS SYSTEM ALLOWING THE UPS KVA RANGE TO BE INCREASED FROM 10KVA TO 50KVA IN 10KVA INCREMENTS. THE END-USER IS RESPONSIBLE FOR SIZING ALL ASSOCIATED APPURTENANCES BASED ON PROJECTED LOAD AND ALL APPLICABLE STATE, LOCAL & FEDERAL CODES.
- ② CUSTOMER SHALL INSTALL MAIN BONDING JUMPER IN ACCORDANCE WITH THE NATIONAL ELECTRICAL CODE, AND ALL APPLICABLE STATE, LOCAL AND FEDERAL REGULATIONS.
- ③ DC CABLE KITS ARE AVAILABLE THROUGH MEPPi, IF THE BATTERY CABINET IS ADJACENT TO THE UPS.
- ④ AC CABLE KITS ARE AVAILABLE TROUGH MEPPi, IF THE MULTI-PURPOSE CABINET IS ADJACENT TO THE UPS.

⑤ OPTIONAL SKRU/SKPM.

REVISIONS	DATE	BY	DESCRIPTION
00. INITIAL RELEASE	11/08/2011	G. JOHNSTON	
01. NOTES & DESCRIPTIONS UPDATED	11/30/2011	G. JOHNSTON	
02. GENERAL REVISION	05/31/2012	G. JOHNSTON	

DIM. IN: INCHES	SCALE: NTS	DRAFTER: M. MEINERT	DATE: 09/29/11	<p>MITSUBISHI ELECTRIC POWER PRODUCTS, INC. WARRENDALE, PA.</p> <p>TITLE: 1100 SERIES UPS MULTI-PURPOSE CABINET SCHEMATIC</p> <p>REF. DWG. No. SHEET 1 OF 1 REV: UD-100172 2</p>
<small>PROPRIETARY</small> <small>THIS DOCUMENT IS PROPERTY OF MITSUBISHI ELECTRIC POWER PRODUCTS INC. AND CONTAINS PROPRIETARY AND CONFIDENTIAL INFORMATION WHICH MUST NOT BE DUPLICATED, USED OR DISCLOSED OTHER THAN AS EXPRESSLY AUTHORIZED BY MITSUBISHI ELECTRIC POWER PRODUCTS, INC.</small>		CHECKED: M. BALMER	DATE: 09/29/11	
		ENGINEER: M. MEINERT	DATE: 09/29/11	
		APPROVED: K. BEAMER	DATE: 10/31/11	