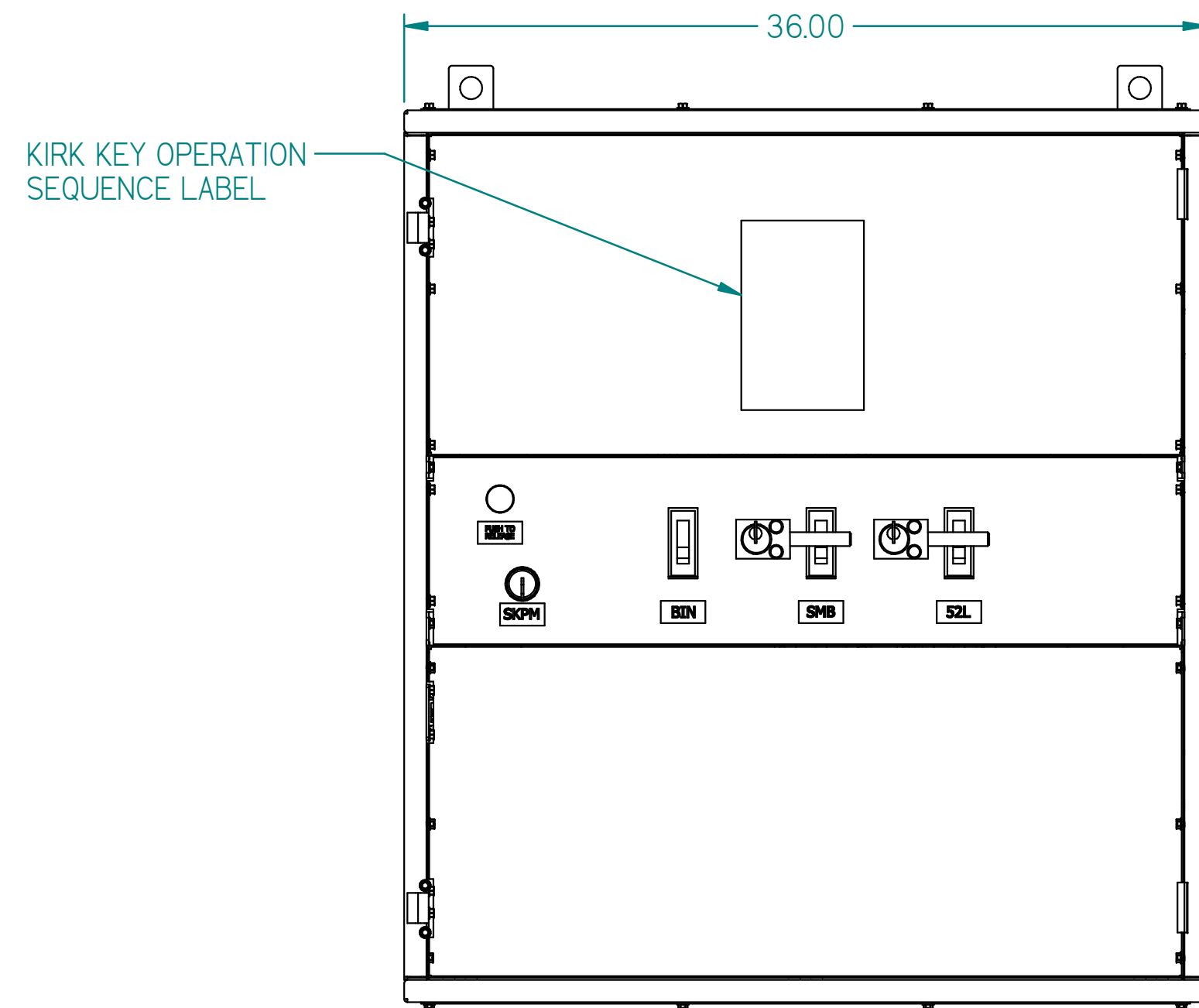
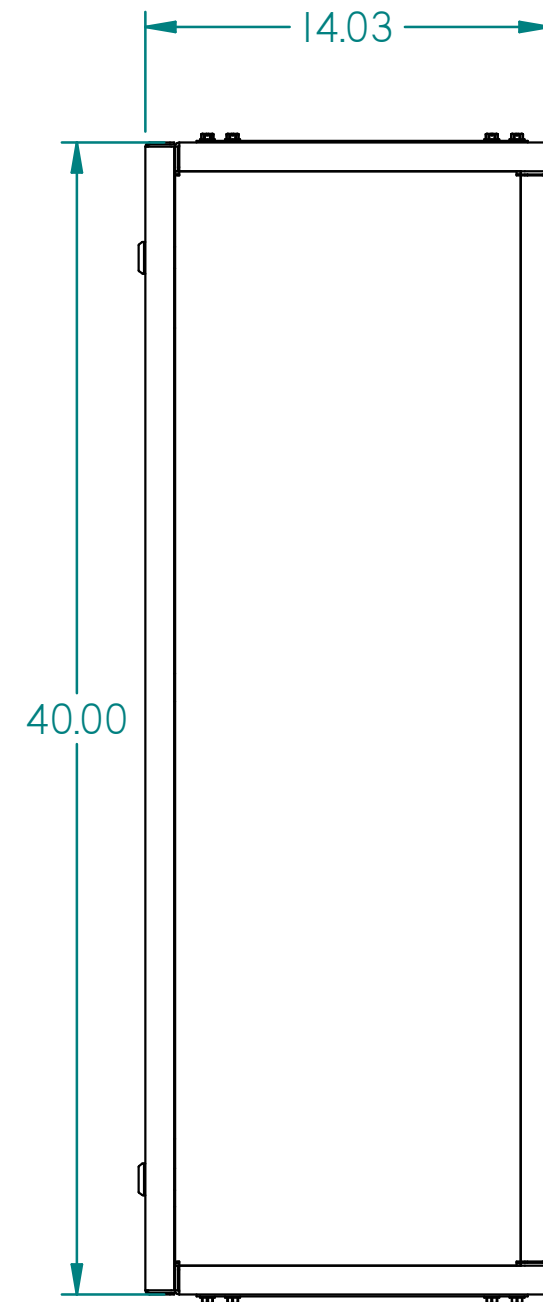


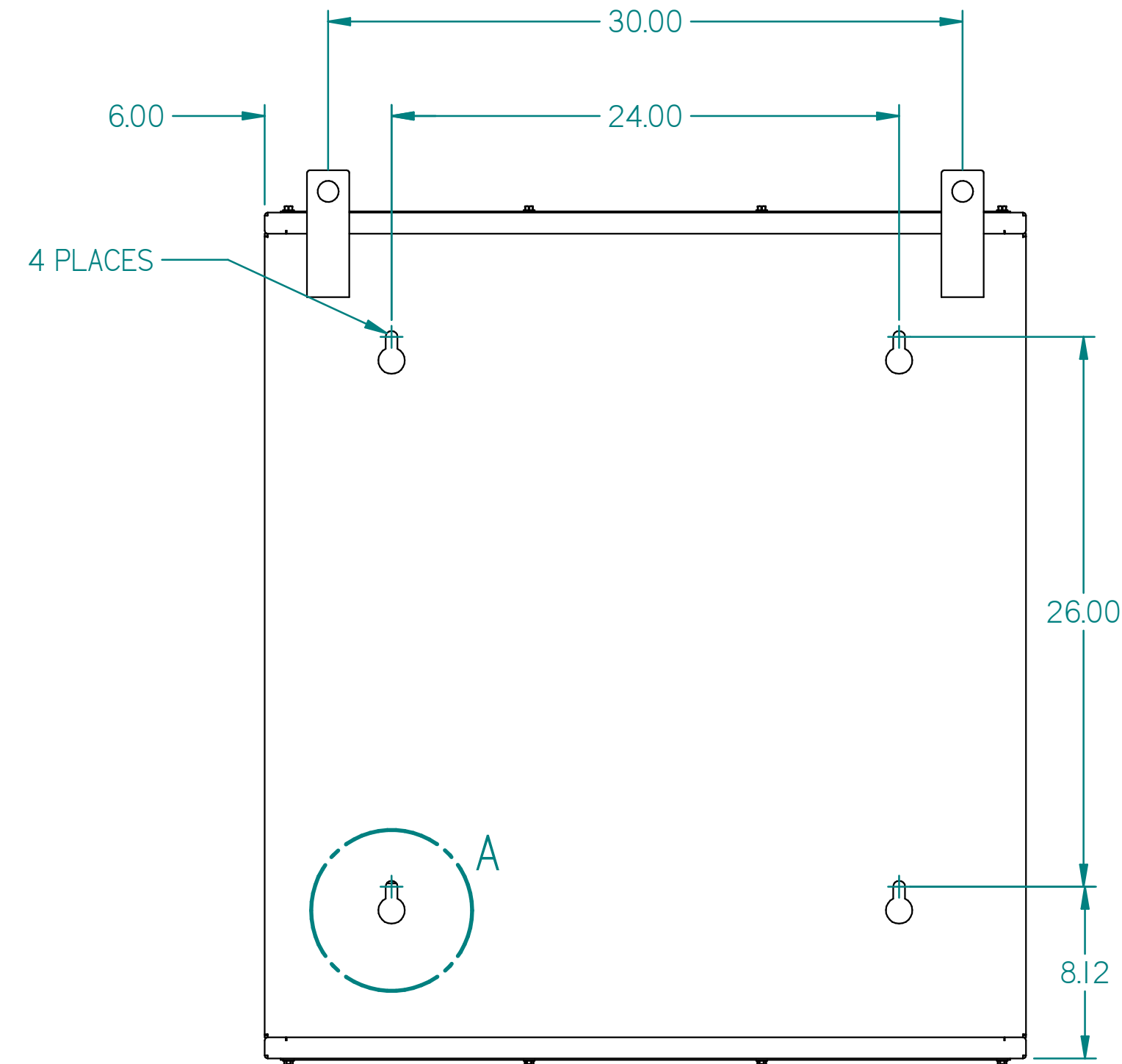
TOP VIEW CABLE ENTRY



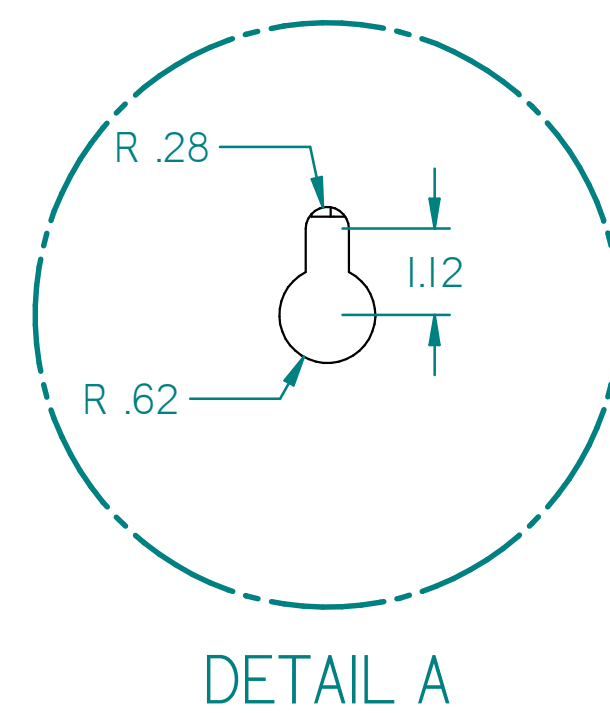
FRONT VIEW 50-60KVA DOOR REMOVED



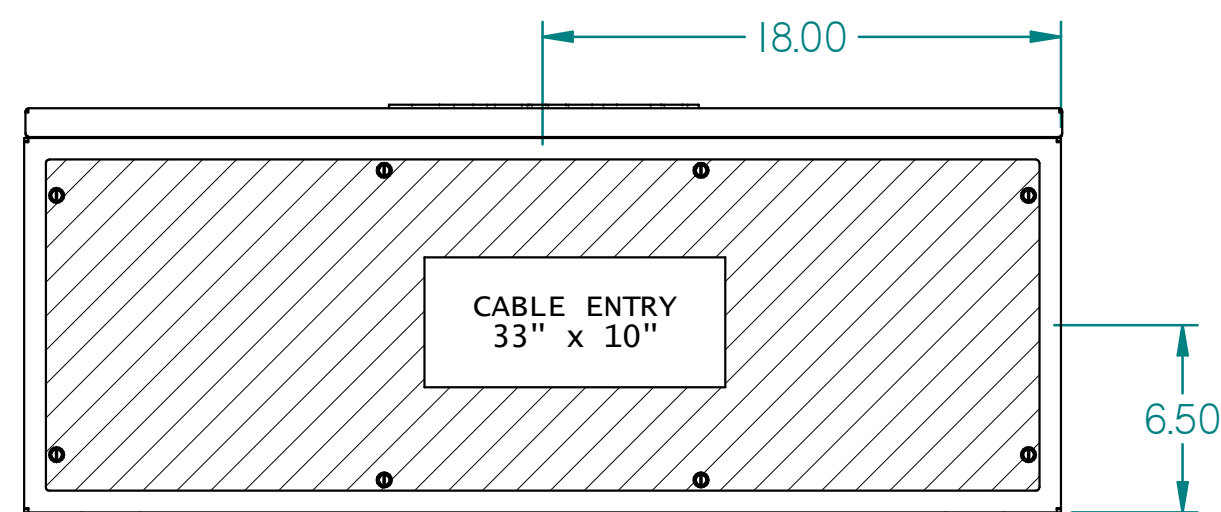
RIGHT SIDE VIEW



BACK VIEW SHOWING MOUNTING HOLES



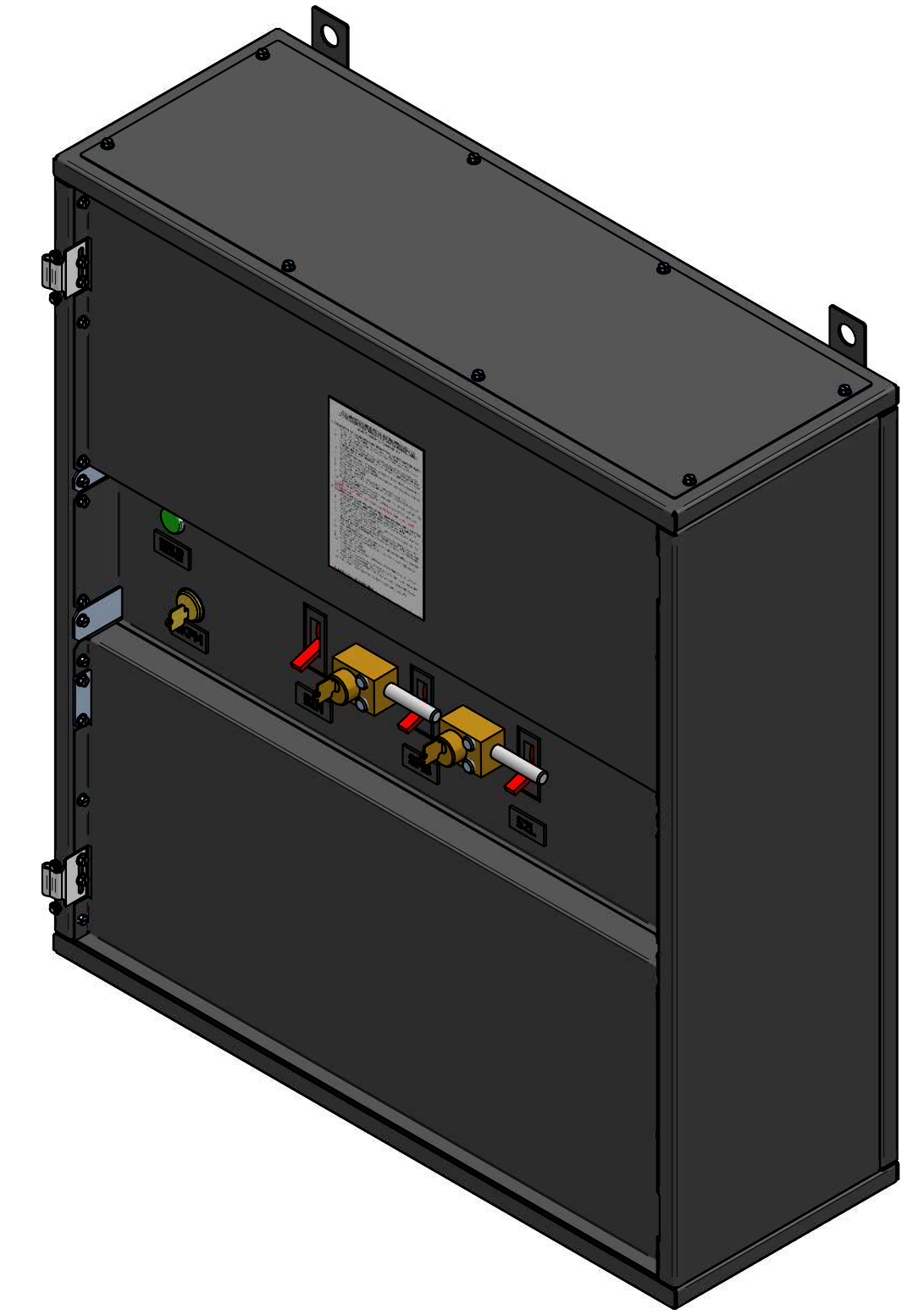
DETAIL A



BOTTOM VIEW CABLE ENTRY

PART NUMBER:
 UD-100192-XXXXXXX

kVA OF UNIT	PRIMARY VOLTAGE
BREAKER MANUFACTURER	O - NO XFMR
D - SQUARE D	TRANSFORMER
INTERLOCK	O - NONE
K - KIRK KEY	LOAD CENTER
E - SKPM	O - NONE



ISO VIEW DOOR REMOVED

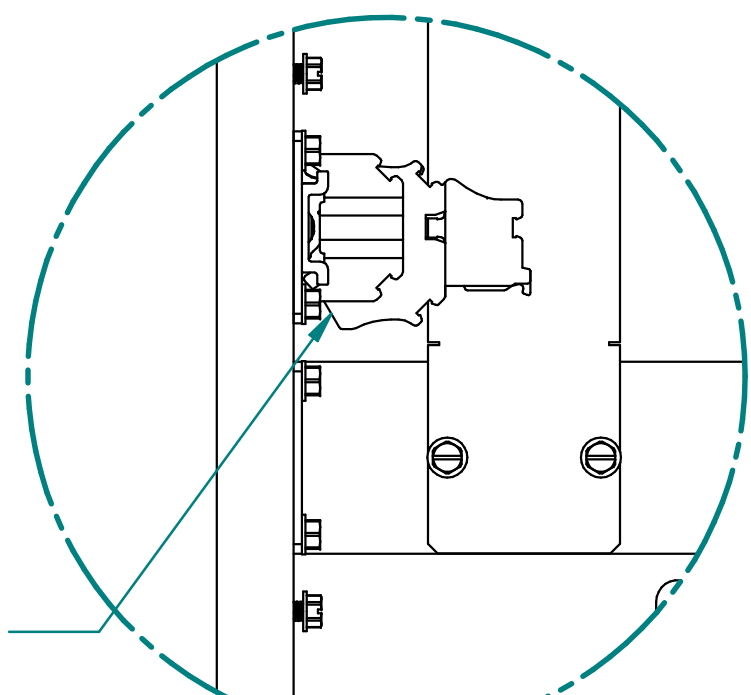
GENERAL ARRANGEMENT

- NOTES**
1. MAXIMUM WEIGHT 325LB
 2. THIS UNIT IS UL,CUL LISTED

REVISONS	DATE	DESCRIPTION
0	01/10/13	ORIGINAL RELEASE
1	06/20/13	GENERAL REVISIONS
2	03/19/14	CHANGED BREAKER TABLE ON SHEET 5 OF 5
3	11/3/15	ADDED INPUT/BYPASS JUMPER KIT
4	5/25/2016	ADDED NOTE FOR UL AND CUL LISTING

REF DWG. NO.	SCALE	DRAFTER	DATE
	NTS	G. JOHNSTON	1/8/13
		CHECKED	DATE
		ED FALK	1/18/13
		ENGINEER	DATE
		ED FALK	1/18/13
		APPROVED	DATE
		ED FALK	1/18/13

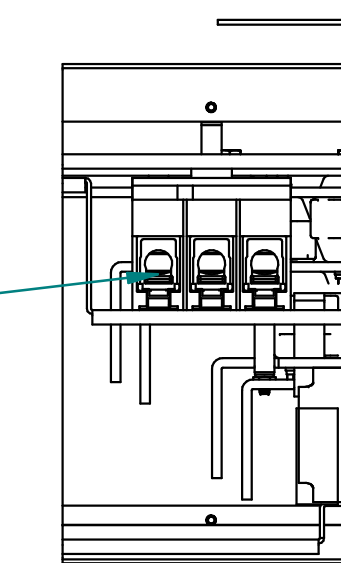
FILE LOCATION:	
	MITSUBISHI ELECTRIC POWER PRODUCTS, INC. WARRENDALE, PA. TITLE 1100B UPS PERIPHERAL 3 BREAKER WALL MOUNT BYPASS DWG. NO. UD-100192S SHEET 1 OF 3 REV. 4



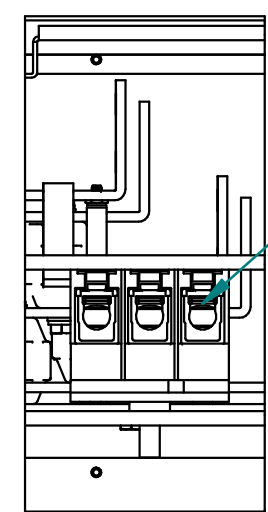
DETAIL E

FUSE TERMINAL TO UPS FOR KIRK-KEY SOLENIOD RELEASE (OPTIONAL)

UPS INPUT CUSTOMER CONNECTION (SEE NOTE 1)

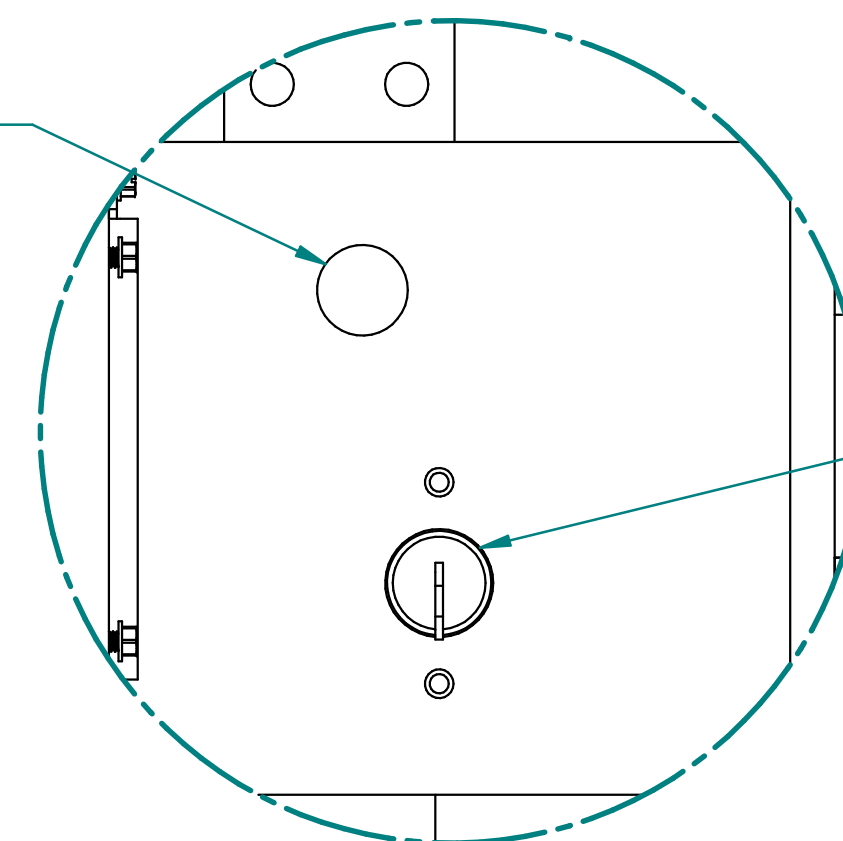


SECTION G-G



SECTION H-H

UPS OUTPUT CUSTOMER CONNECTION (SEE NOTE 1)

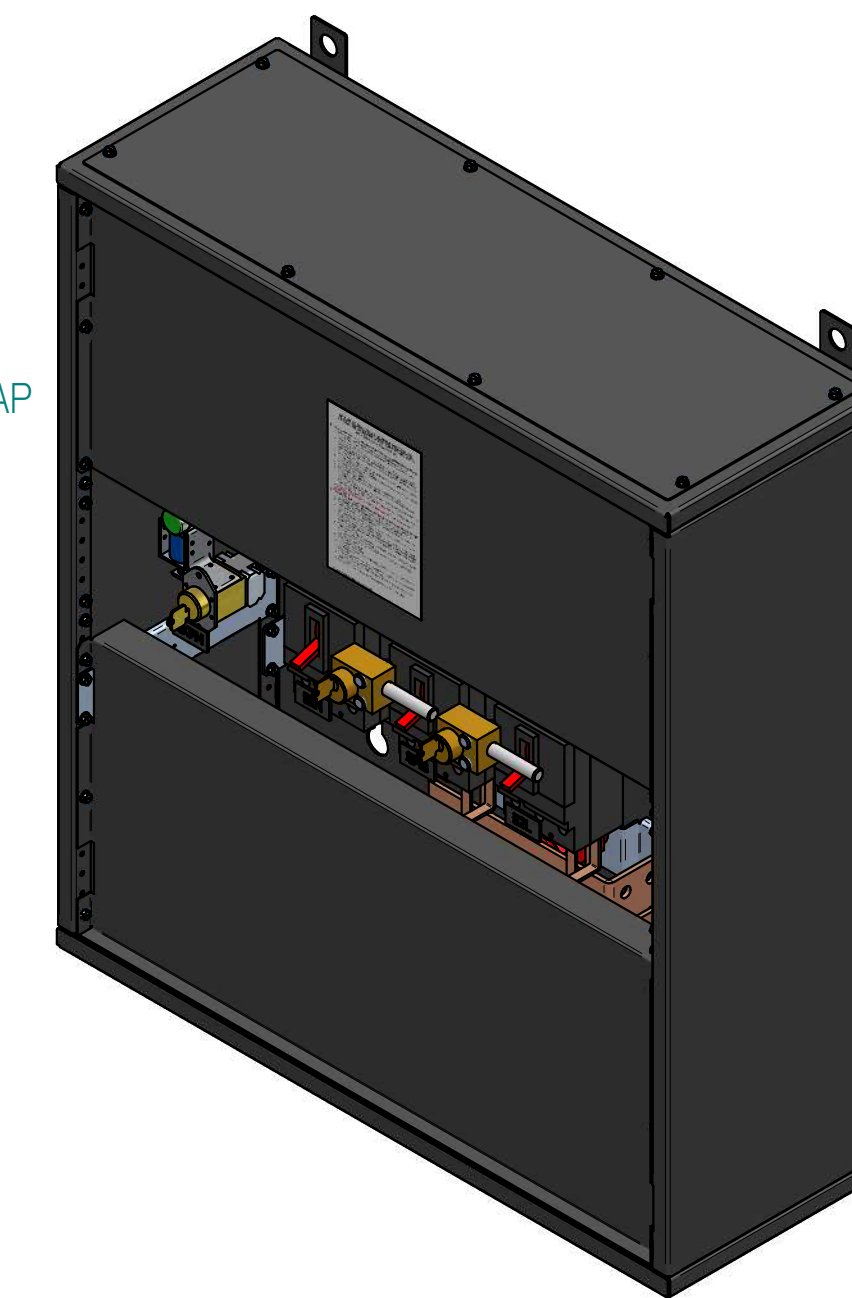


DETAIL F

READY LAMP PUSH -TO-TEST

SOLENIOD KEY TRAP

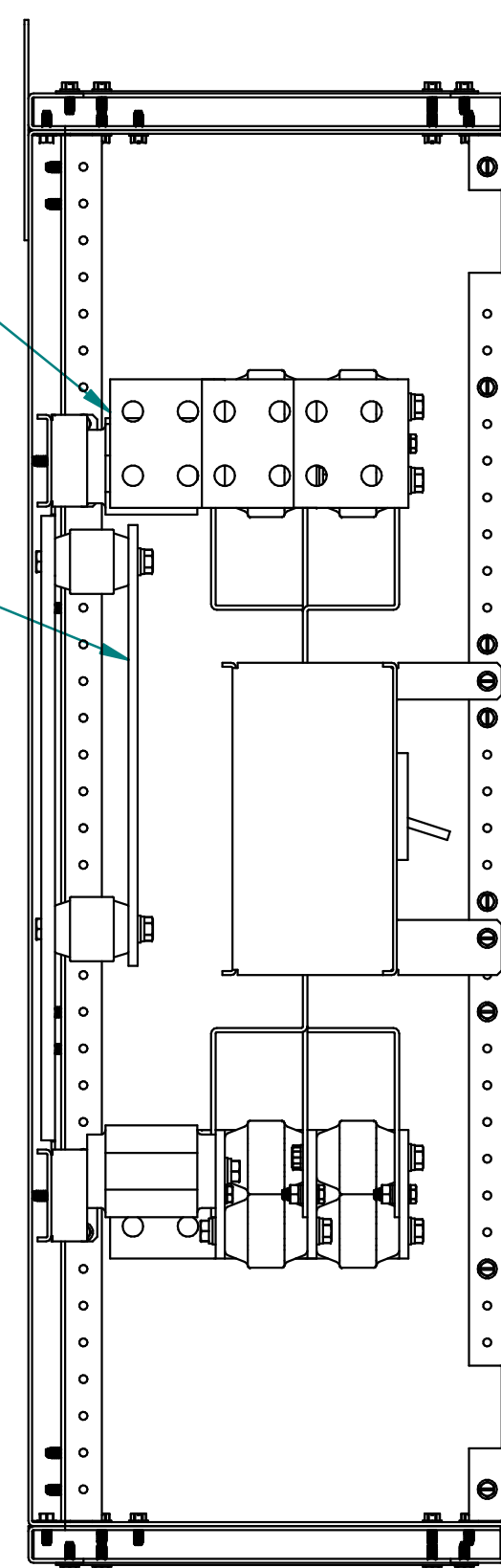
KIRK-KEY SOLENIOD KEY RELEASE OPTIONAL
DETAIL



ISO VIEW DOOR REMOVED

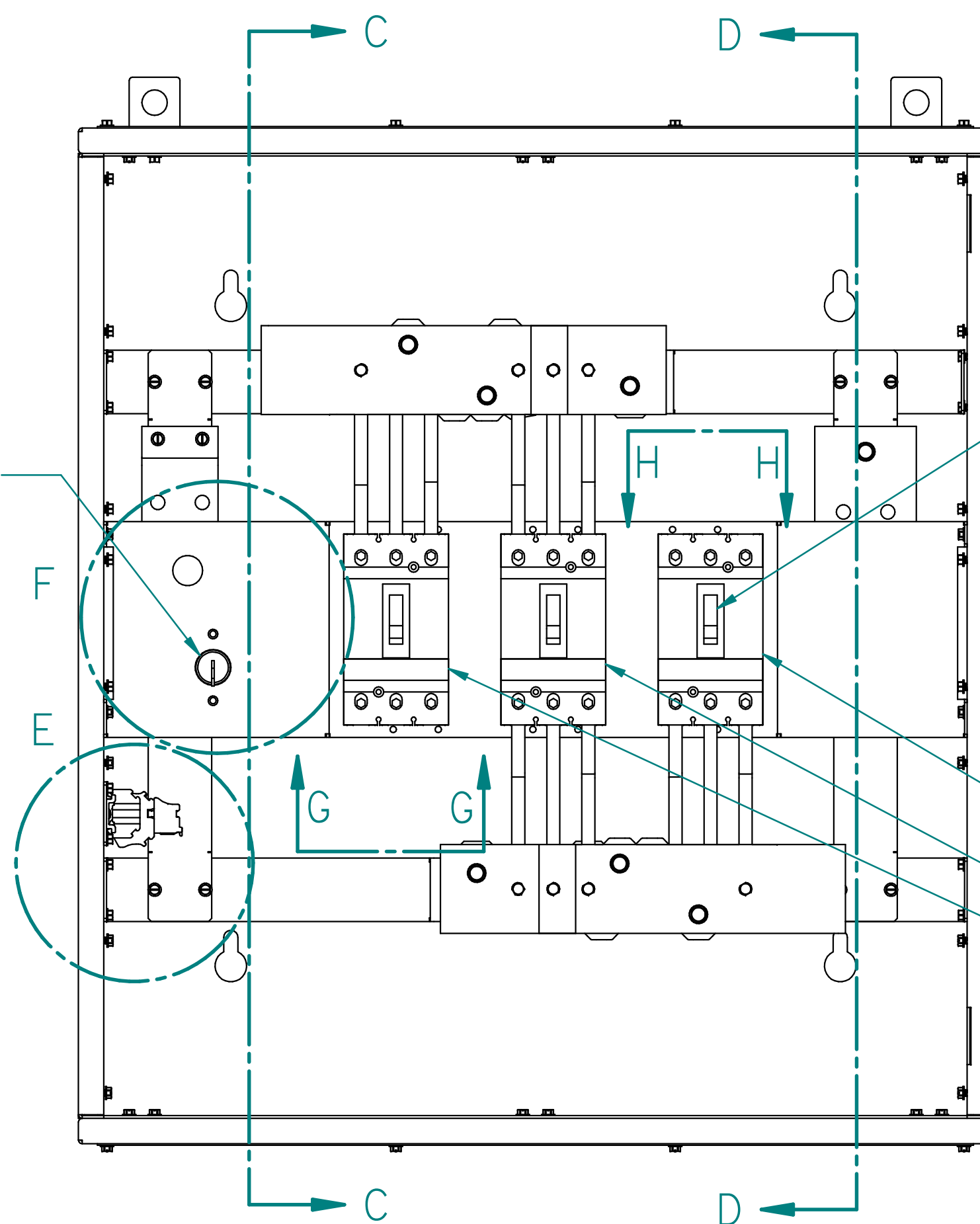
AC INPUT CUSTOMER CONNECTION (SEE NOTE 1)

NEUTRAL CUSTOMER CONNECTION (SEE NOTE 1)



SECTION C-C

KIRK KEY SOLENIOD KEY RELEASE (OPTIONAL)



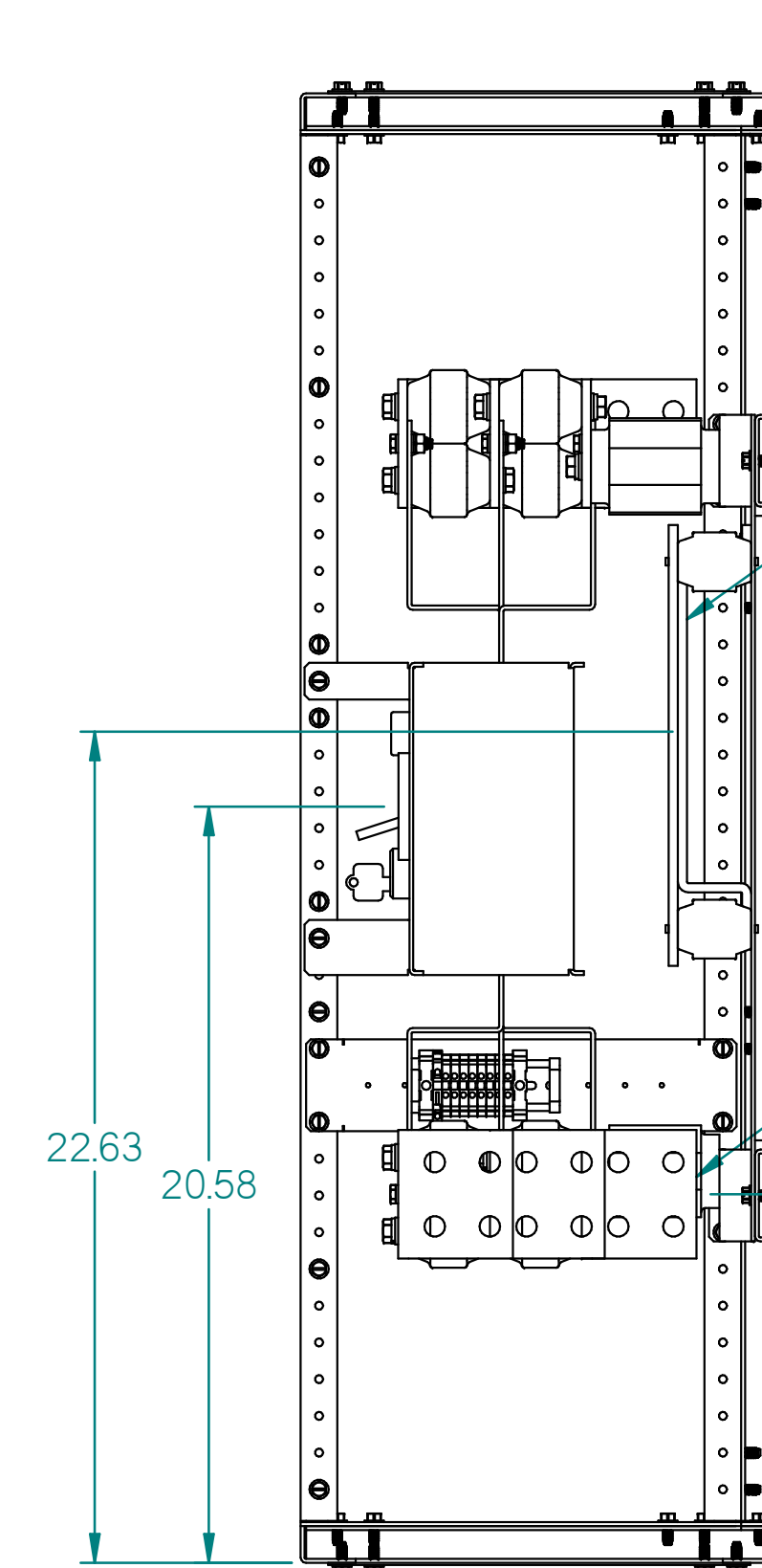
FRONT VIEW COVERS REMOVED
50-60 KVA

KIRK KEY

52L

SMB

BIN



SECTION D-D

22.63

20.58

10.03

CUSTOMER GROUND CONNECTION (SEE NOTE 1)

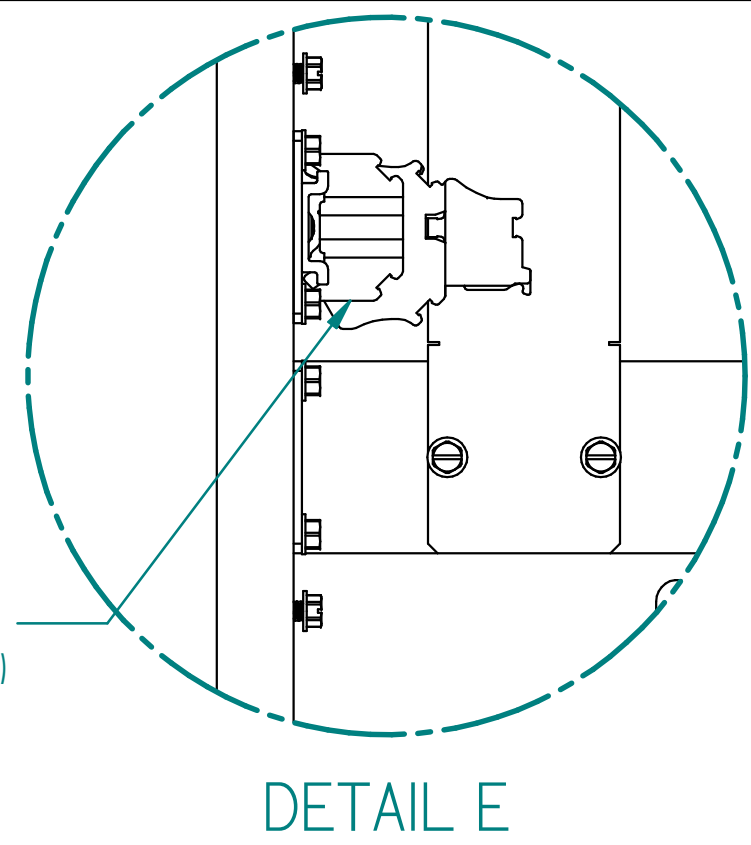
AC OUTPUT CUSTOMER CONNECTION (SEE NOTE 1)

NOTES:
1. REFER TO THE SCHEMATIC FOR THE CONNECTION SCHEDULE.

REVISIONS

NOZU

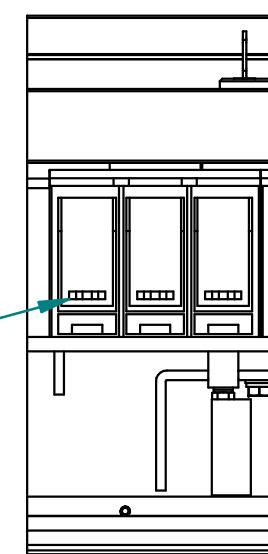
DIM. IN [IN]	SCALE	DRAFTER G. JOHNSTON	DATE	<p>MITSUBISHI ELECTRIC POWER PRODUCTS, INC. WARRENDALE, PA.</p> <p>TITLE 1100B UPS PERIPHERAL 3 BREAKER WALL MOUNT BYPASS</p> <p>DWG. NO. UD-100192S SHEET 2 OF 3 REV. 4</p>
<p>PROPRIETARY This document is the property of Mitsubishi Electric Power Products, Inc. and contains proprietary and confidential information which must not be duplicated, used or disclosed other than as expressly authorized by Mitsubishi Electric Power Products, Inc.</p>		CHECKED	DATE	
REF DWG. NO.		ENGINEER	DATE	
FILE LOCATION:		APPROVED	DATE	



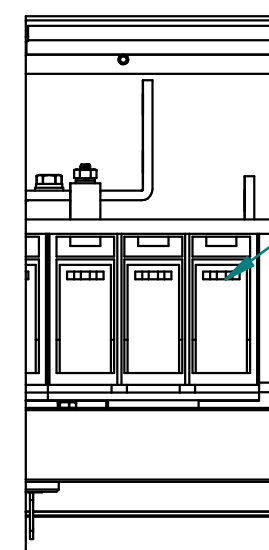
FUSE TERMINAL TO UPS FOR KIRK-KEY SOLENIOD RELEASE (OPTIONAL)

DETAIL E

UPS INPUT CUSTOMER CONNECTION (SEE NOTE 1)

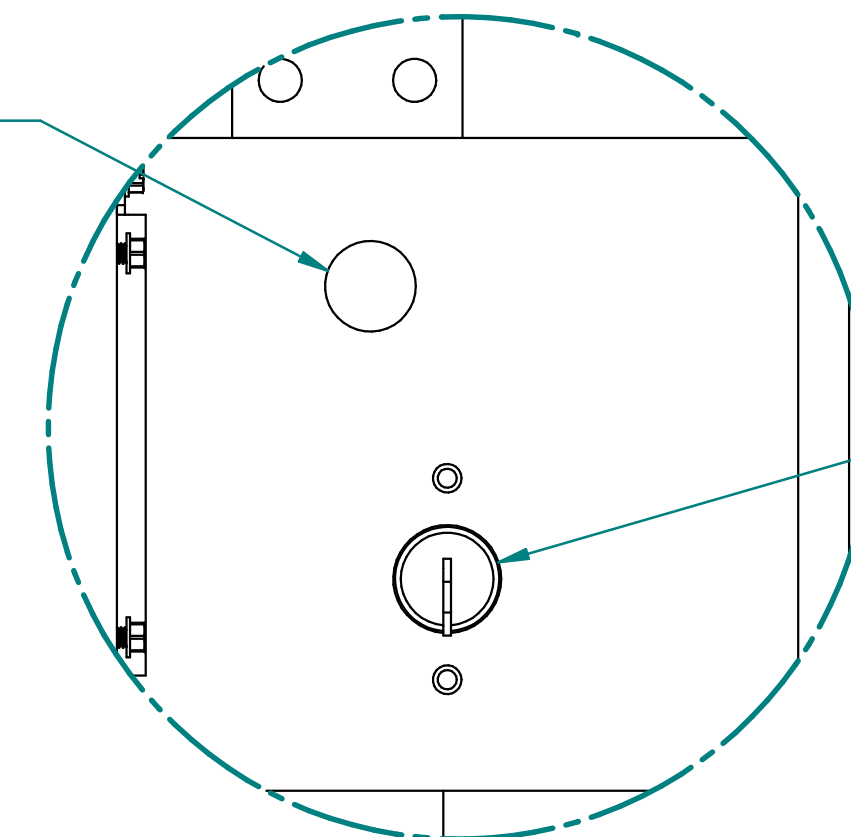


SECTION G-G



SECTION H-H

UPS OUTPUT CUSTOMER CONNECTION (SEE NOTE 1)

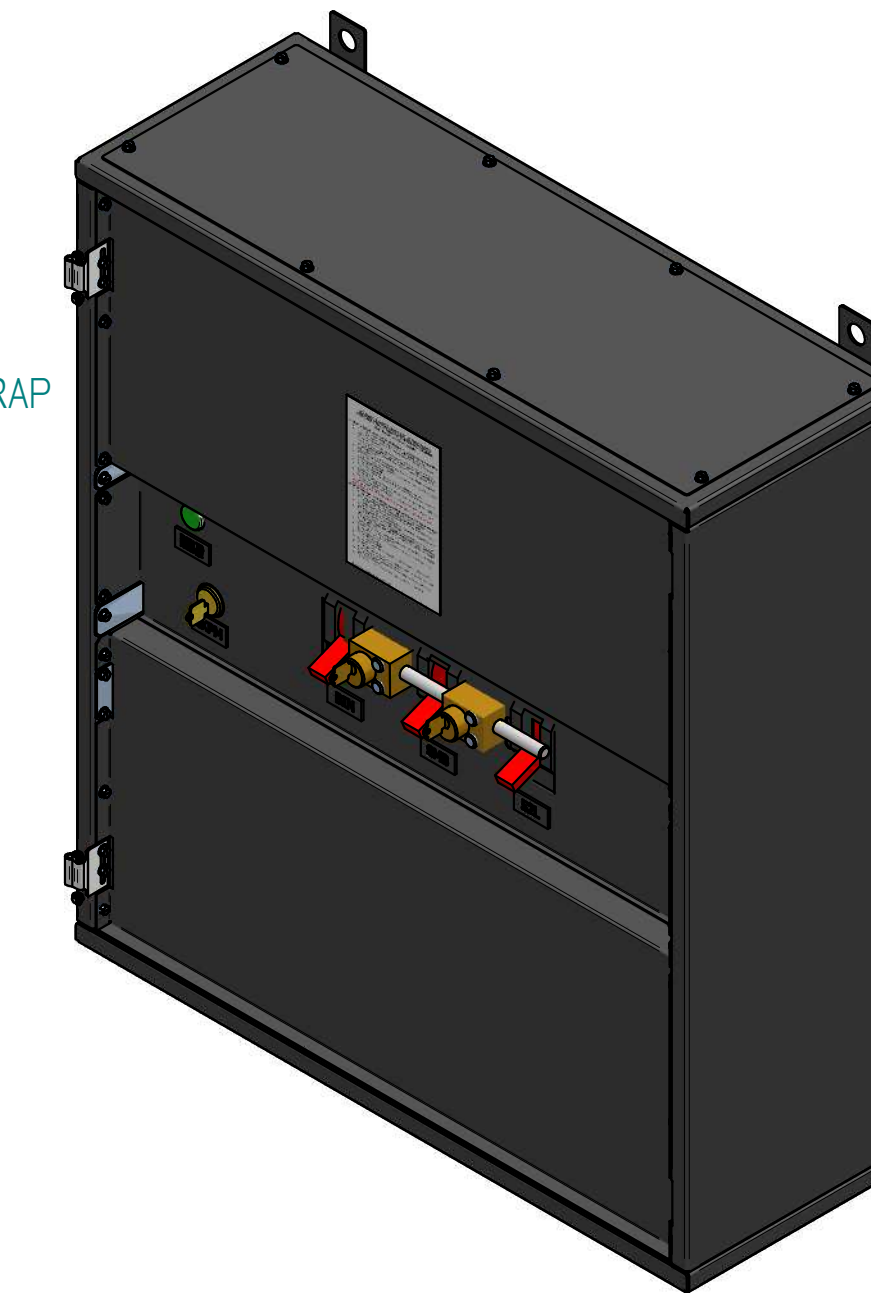


READY LAMP
PUSH -TO-TEST

SOLENIOD KEY TRAP

DETAIL F

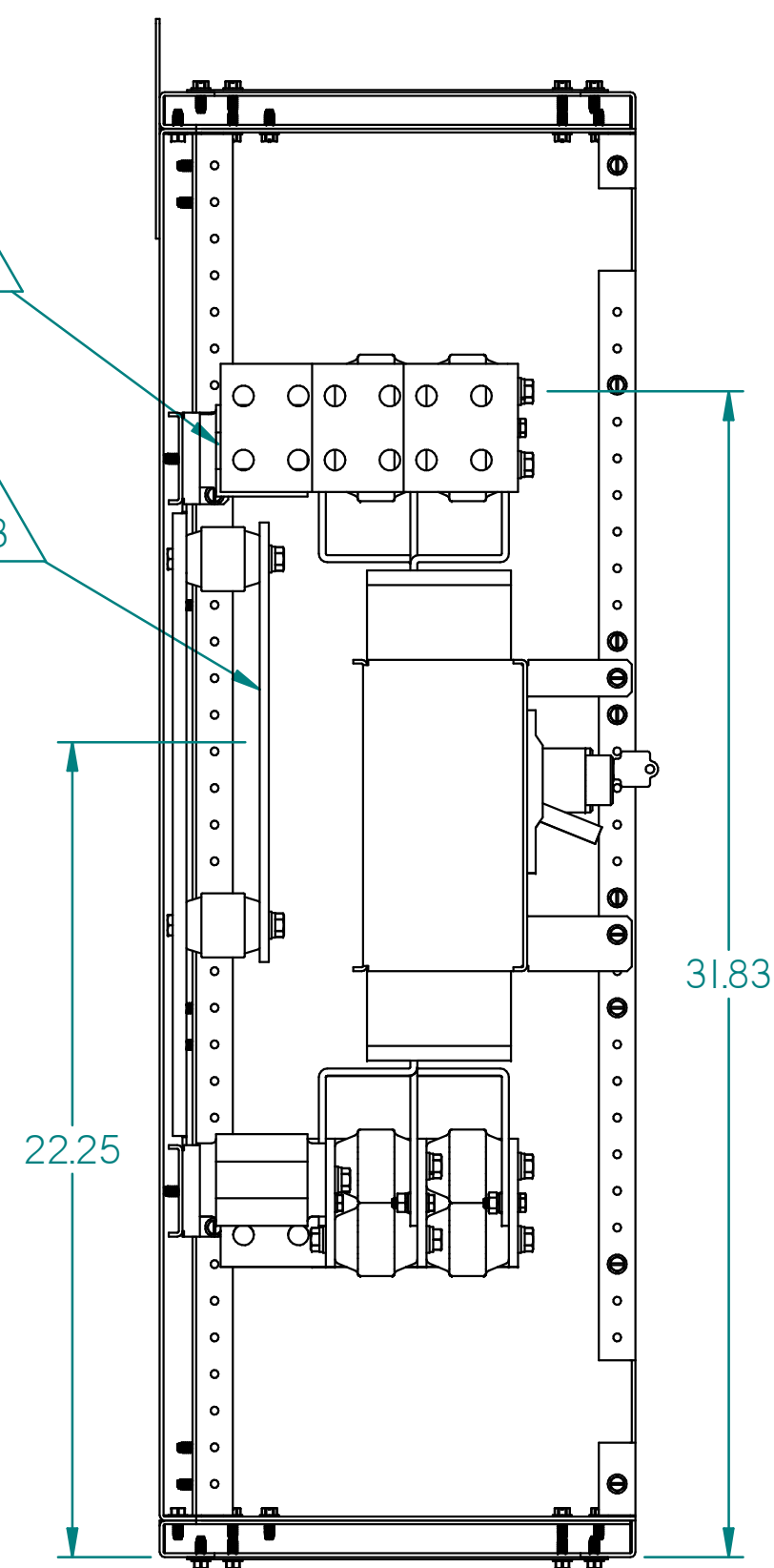
KIRK-KEY SOLENIOD KEY RELEASE OPTIONAL
DETAIL



ISO VIEW DOOR REMOVED

AC INPUT CUSTOMER CONNECTION (SEE NOTE 1)

NEUTRAL CUSTOMER CONNECTION (SEE NOTE 1)

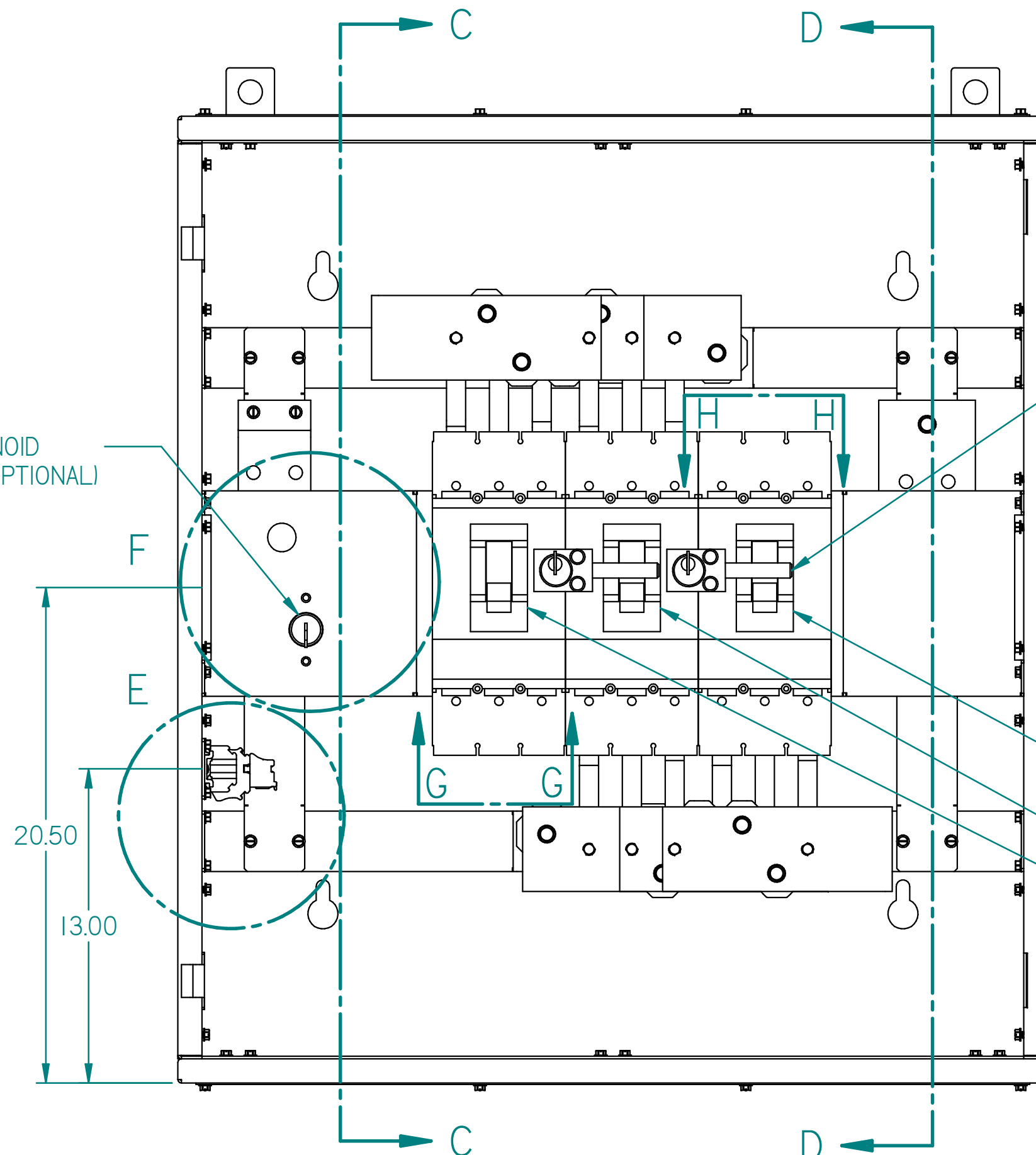


SECTION C-C

22.25

31.83

KIRK KEY SOLENIOD
KEY RELEASE (OPTIONAL)



FRONT VIEW COVERS REMOVED
70-80 KVA

20.50

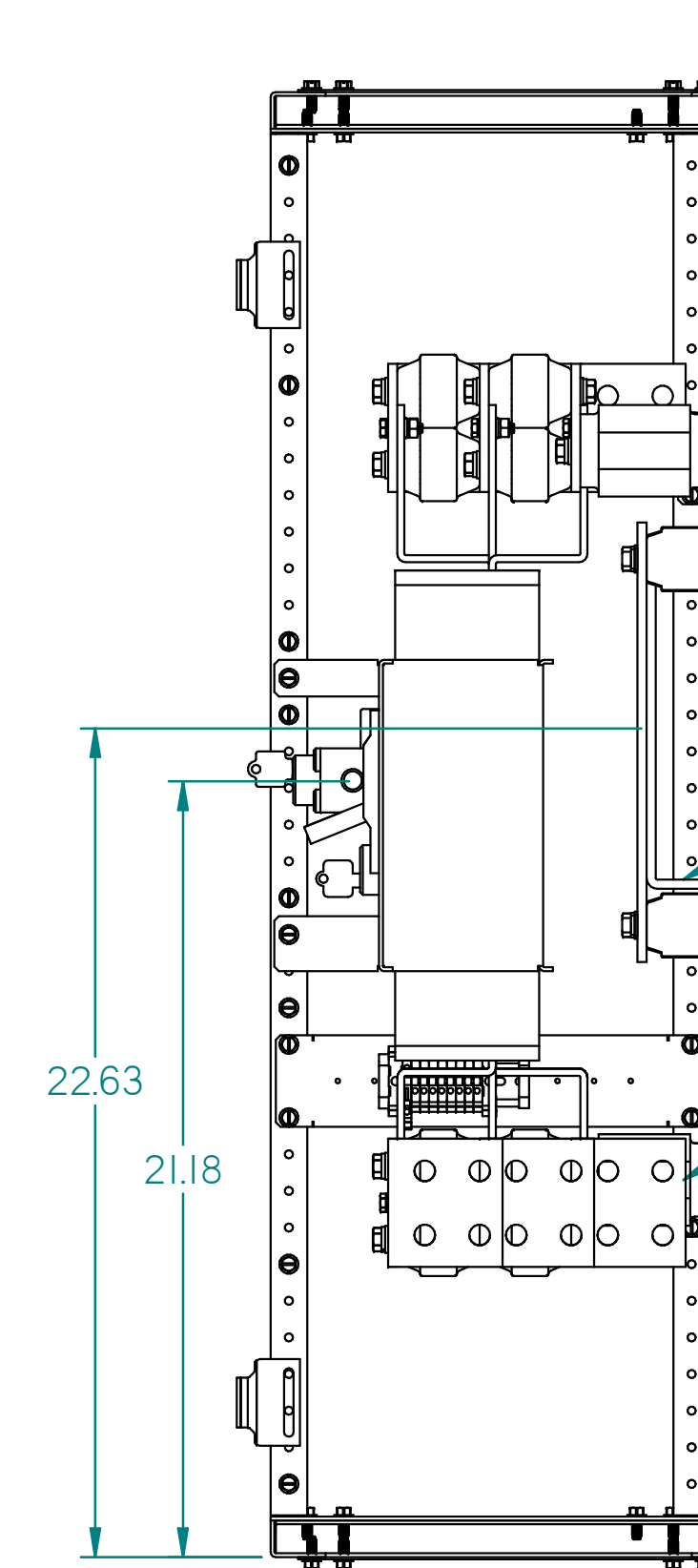
13.00

KIRK KEY

52L

SMB

BIN



SECTION D-D

22.63

21.18

9.67

CUSTOMER GROUND CONNECTION (SEE NOTE 1)

AC OUTPUT CUSTOMER CONNECTION (SEE NOTE 1)

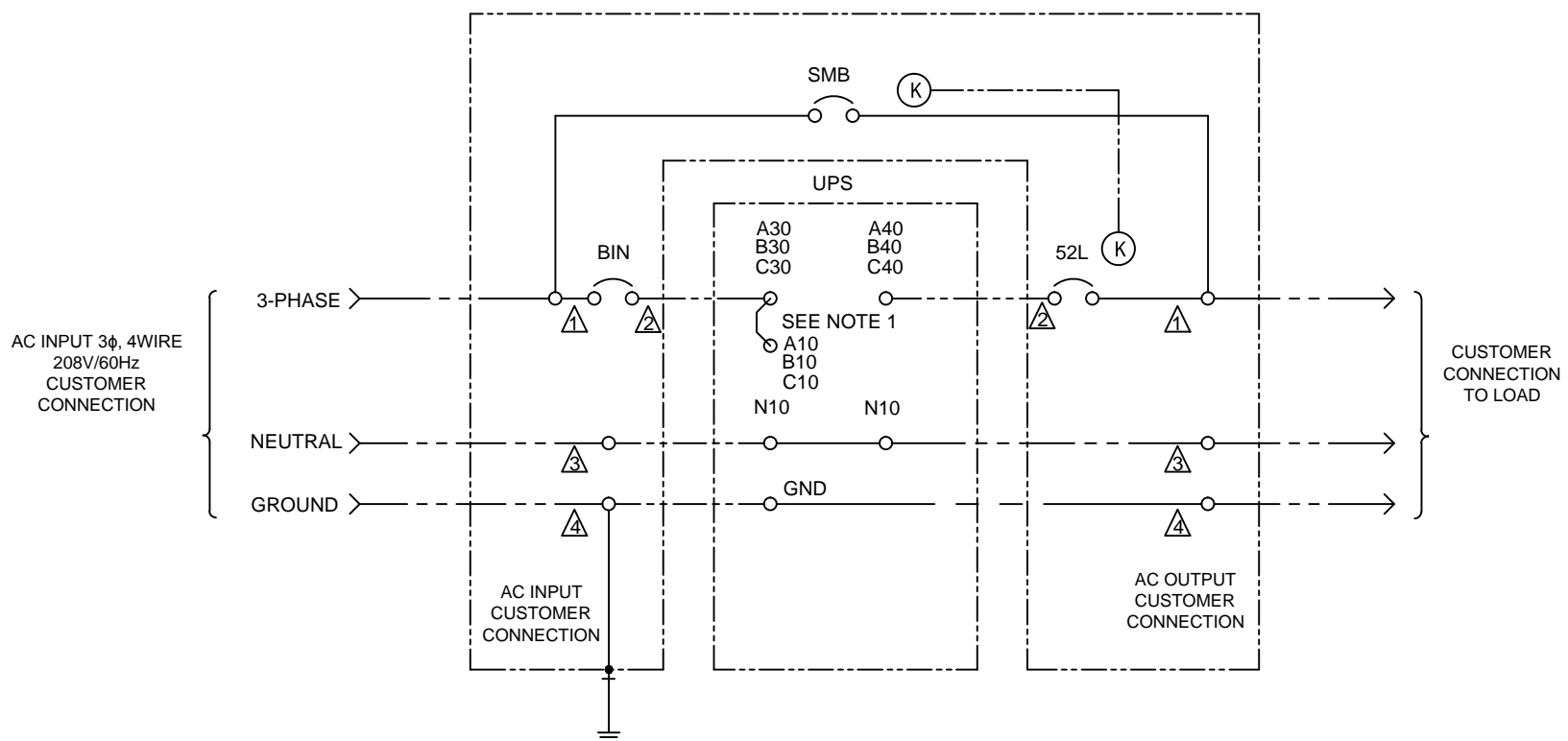
NOTES:
1. REFER TO THE SCHEMATIC FOR THE CONNECTION SCHEDULE.

REVISIONS

NOZU

DIM. IN [IN]	SCALE	DRAFTER G. JOHNSTON	DATE	<p>MITSUBISHI ELECTRIC POWER PRODUCTS, INC. WARRENDALE, PA.</p> <p>TITLE 1100B UPS PERIPHERAL 3 BREAKER WALL MOUNT BYPASS</p> <p>DWG. NO. UD-100192S SHEET 4 OF 3 REV. 4</p>	
<p>PROPRIETARY This document is the property of Mitsubishi Electric Power Products, Inc. and contains proprietary and confidential information which must not be duplicated, used or disclosed other than as expressly authorized by Mitsubishi Electric Power Products, Inc.</p>			CHECKED		DATE
REF DWG. NO.		APPROVED	DATE		
FILE LOCATION:					

MAINTENANCE SYSTEM BYPASS 3 BREAKER



3 BREAKER WALL MOUNT

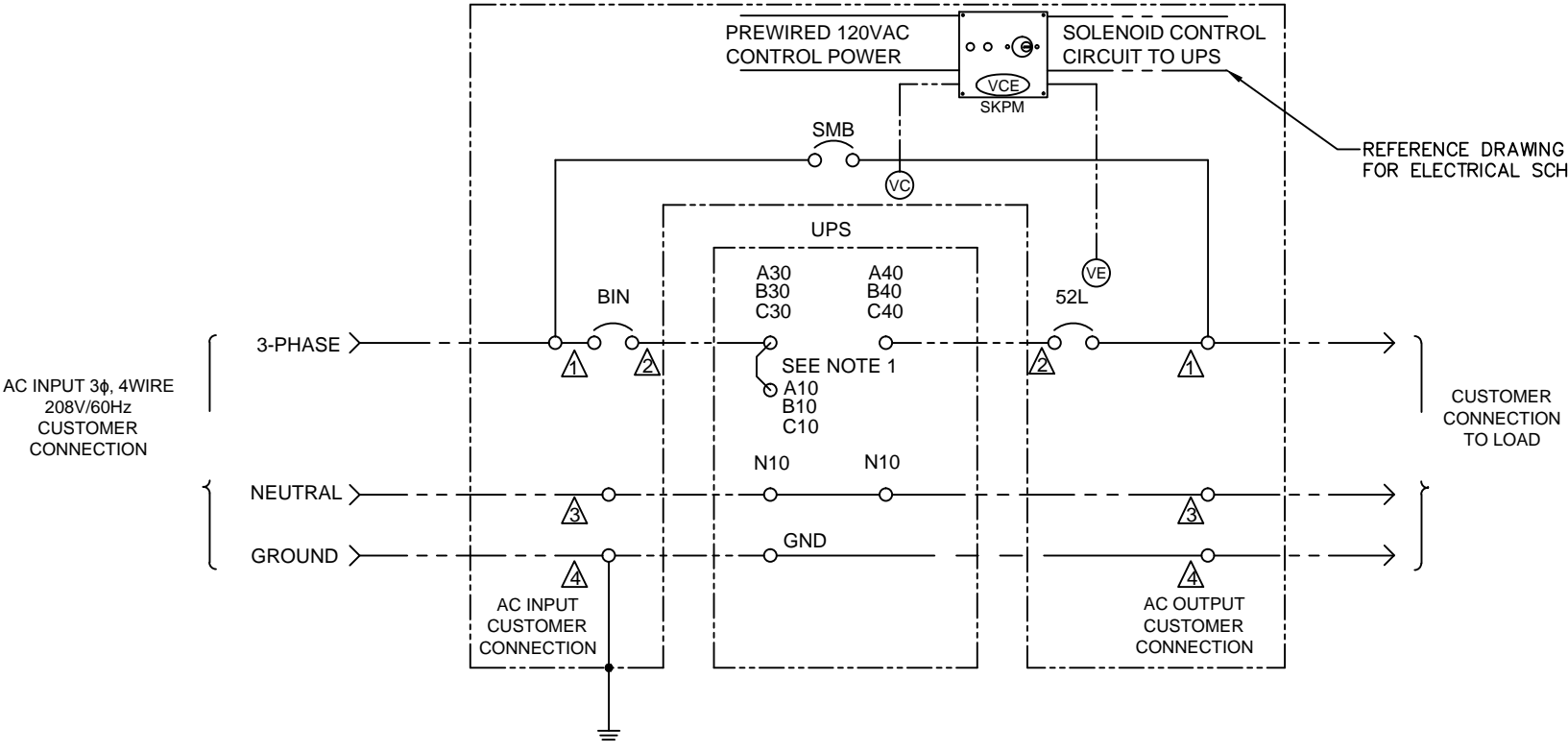
Circuit Breaker Summary							
UPS kVA	Bypass Breaker						
	Mfg.	Breaker Size	Frame Size	Trip Setting	P/N	Breaker AIC	Wire Range
50	Square-D	J-Frame	250A	200A	JDF36200	25k	(1) 3/0 AWG-350kcmil
60				225A	JDF36225		
70				275A	LDF36400U31X		(2) 2/0 AWG-500kcmil
80	300A						

LEGEND

- WIRED BY MITSUBISHI
- - - WIRED BY CUSTOMER
- (K) - KIRK-KEY INTERLOCK SYSTEM
- SKPM - SOLENOID KEY RELEASE-(OPTIONAL)
- △ - CONNECTION TYPE

NOTES:
1. OPTIONAL INPUT/BYPASS JUMPERS CBL-1100B-080-JMP

MAINTENANCE SYSTEM BYPASS 3 BREAKER W/ SOLENOID KEY RELEASE



CUSTOMER CONNECTION SCHEDULE

Cable Connection Schedule						
Drawing Designation	Connection Type	Connection Location	Connection Size	Wire Type (50-60kVA)	Wire Type (70-80kVA)	UL LISTED Connector
△1	Phase Power Input/Output	Input Power Connection	1/2" Bolt. NEMA 2 HOLE LUG	Consult NEC NFPA 70 Article 250		Burndy YAV Series for 2-Hole
△2	Phase Power Input/Output	Input Power Connection	3/8" Single-Hole Stud	(1) 3/0AWG-350KCMIL	(2) 2/0AWG-500KCMIL	Burndy YA-L Series
△3	Neutral Input/Output	Input Neutral Connection	1/2" Bolt. NEMA 2 HOLE LUG	Consult NEC NFPA 70 Article 250		Burndy YAV Series for 2-Hole
△4	Ground Connection	Ground Buss Bar	1/2" Bolt. NEMA 2 HOLE LUG	Consult NEC NFPA 70 Article 250		Burndy YAV Series for 2-Hole

REVISIONS	DIM. IN: INCHES SCALE: NTS DRAFTER: DATE:	MITSUBISHI ELECTRIC POWER PRODUCTS, INC. WARRENDALE, PA.	
	<small>PROPRIETARY</small> <small>THIS DOCUMENT IS PROPERTY OF MITSUBISHI ELECTRIC POWER PRODUCTS INC. AND CONTAINS PROPRIETARY AND CONFIDENTIAL INFORMATION WHICH MUST NOT BE DUPLICATED, USED OR DISCLOSED OTHER THAN AS EXPRESSLY AUTHORIZED BY MITSUBISHI ELECTRIC POWER PRODUCTS INC.</small>		CHECKED: DATE:
	REF. DWG. No.		ENGINEER: DATE:
	APPROVED: DATE:		TITLE: 1100B WALL MOUNT BYPASS SINGLE LINE SCHEMATIC
	FILE LOCATION:		DWG. No. UD-100192S SHEET 5 OF 5 REV: 4