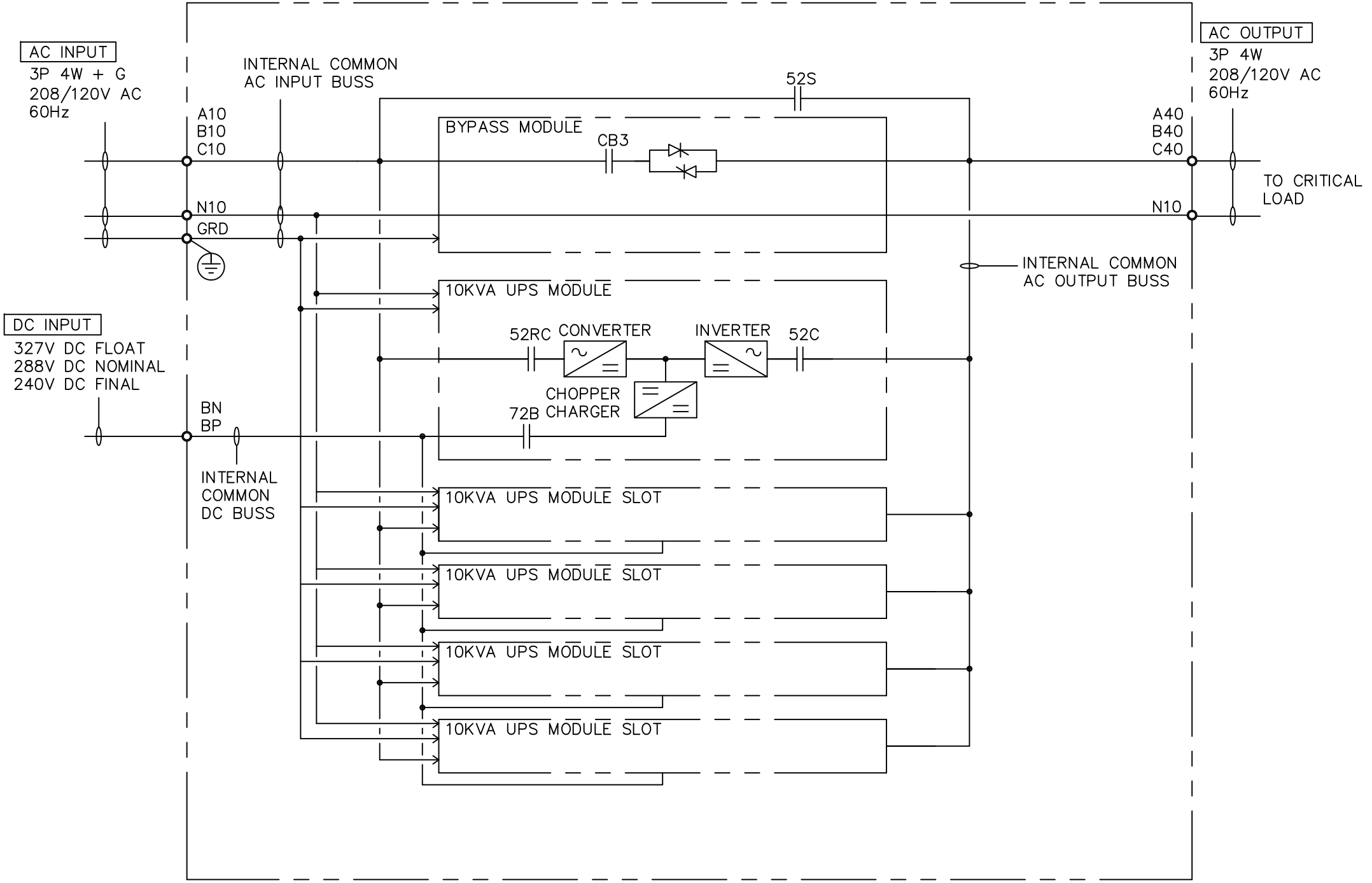


1100 SERIES UPS CABINET WITHOUT PROVISIONS FOR INTERNAL BATTERIES



REVISIONS	DATE	DESCRIPTION
00. INITIAL RELEASE G. JOHNSTON	11/08/2011	
01. NOTES & DESCRIPTIONS UPDATED G. JOHNSTON	11/30/2011	

DIM. IN:	INCHES	SCALE:	NTS	DRAFTER:	M. MEINERT	DATE:	09/29/11
CHECKED:	M. BALMER	DATE:	09/29/11	ENGINEER:	M. MEINERT	DATE:	09/29/11
APPROVED:	K. BEAMER	DATE:	10/31/11	REF. DWG. No.	JDA2290	FILE LOCATION:	

<p>MITSUBISHI ELECTRIC POWER PRODUCTS, INC. WARRENDALE, PA.</p>	<p>THIS DOCUMENT IS PROPERTY OF MITSUBISHI ELECTRIC POWER PRODUCTS INC. AND CONTAINS PROPRIETARY AND CONFIDENTIAL INFORMATION WHICH MUST NOT BE DUPLICATED, USED OR DISCLOSED OTHER THAN AS EXPRESSLY AUTHORIZED BY MITSUBISHI ELECTRIC POWER PRODUCTS, INC.</p>
	<p>TITLE: 1100 SERIES UPS W/O INTERNAL BATTERIES SINGLE LINE SCHEMATIC</p>
<p>DWG No. UD-100099</p>	<p>SHEET 1 OF 1</p>