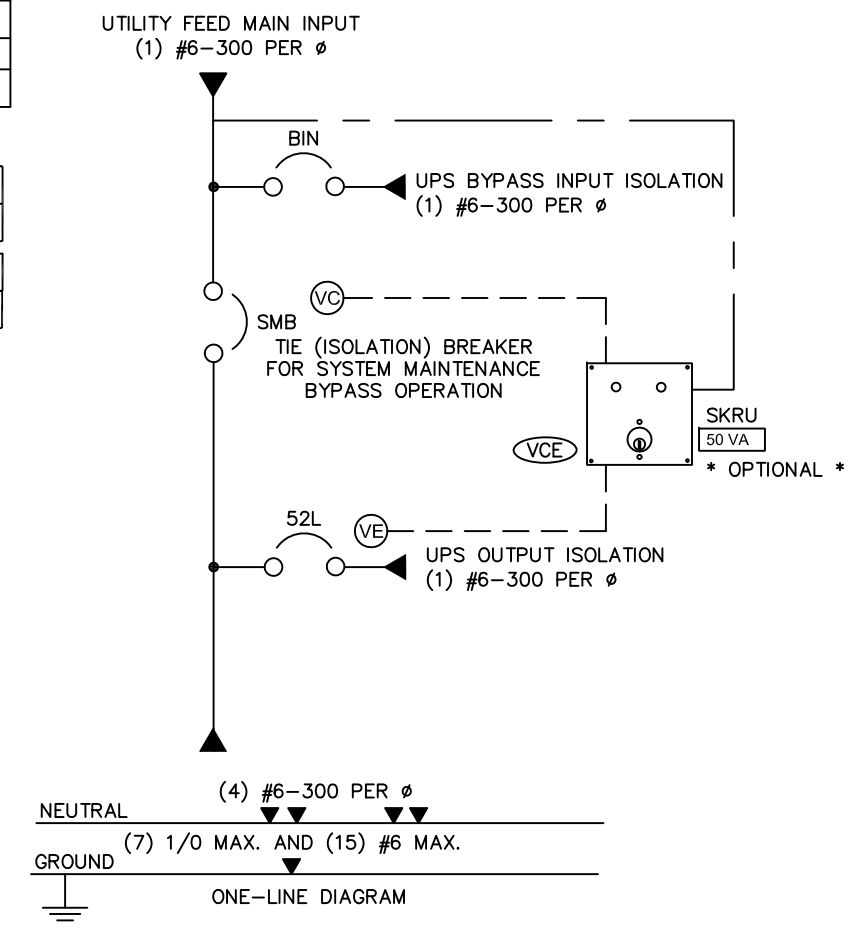


DWG. No. UD100106

NAMEPLATE LEGEND	
ITEM	DESCRIPTION
NP1	UPS BYPASS INPUT ISOLATION
NP2	TIE (ISOLATION) BREAKER FOR MAINTENANCE BYPASS OPERATION
NP3	UPS OUTPUT ISOLATION

CIRCUIT BREAKERS	
UPS kVA	DESCRIPTION
40 kVA	SIEMENS TYPE QJ, 150AF, 3 POLE, 10KAIC @ 120/208
50 kVA	SIEMENS TYPE QJ, 200AF, 3 POLE, 10KAIC @ 120/208

ONE-LINE DIAGRAM



SPECIFICATIONS

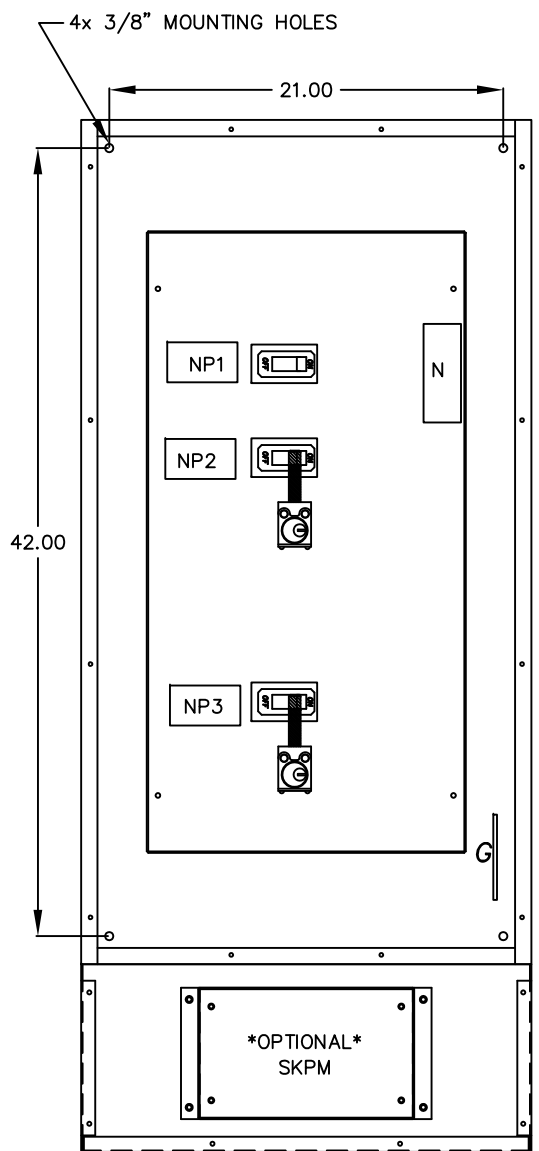
- S1. SYSTEM RATING:
 VOLTAGE: PRIMARY: 120/208, 3P/4W, 60Hz
 SECONDARY: 208V, 3P/4W 60Hz
 AMPERES: 40kVA-150AT, 50kVA-200AT,
- S2. INTERRUPT RATING: THE SHORT CIRCUIT INTERRUPTING CAPABILITY IS 10,000 RMS SYMMETRICAL AMPERES AT 208 VOLTS, BASED ON THE LOWEST SHORT CIRCUIT CURRENT RATING OF THE INDIVIDUAL OR SERIES RATED COMBINATION DEVICE INSTALLED AT TIME OF MANUFACTURE. THE BUSSING STRUCTURE IS CONSTRUCTED TO WITHSTAND FAULTS OF 65,000 RMS SYMMETRICAL AMPERES.

GENERAL NOTES:

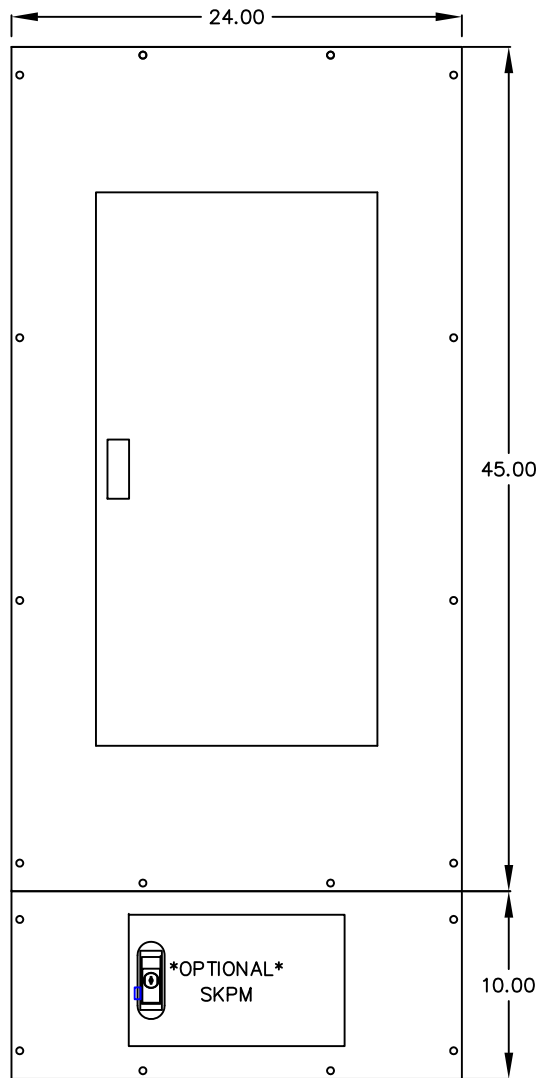
- 1. NEMA 1 CONSTRUCTION, BUILT TO UL891, LISTED TO UL1778. TO BE IN ACCORDANCE WITH MITSUBISHI BYPASS PANEL SPECIFICATION U-ENS00004.
- 2. FINISH: POWDER COAT, MITSUBISHI BLACK.
- 3. STANDARD: KIRK KEY (AE-ENP00032)
 OPTIONAL: SKPM (AE-ENP00033).
- 4. SKPM IS A FACTORY INSTALLED OPTION ONLY.



PLAN VIEW

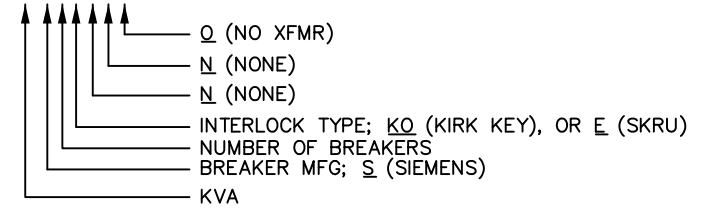


FRONT VIEW WITH TRIM REMOVED



FRONT VIEW

PART NUMBER BREAK DOWN
 UD100106-40S3KNNO



REVISIONS
1. AS BUILT TRD 06-02-11
2. MINOR REV. EGF 02-02-12
3. ADDED SKRU EGF 05-12-12
4. ADDED CB TABLE DDR 11-02-12
5. FIXED CB TABLE EGF 11-20-13
6. ADDED # OF BREAKERS EGF 12-15-14

DIM. IN: INCHES	SCALE: NTS	DRAFTER: G. JOHNSTON	DATE: 06/02/11
<small>PROPRIETARY THIS DOCUMENT IS PROPERTY OF MITSUBISHI ELECTRIC POWER PRODUCTS INC. AND CONTAINS PROPRIETARY AND CONFIDENTIAL INFORMATION WHICH MUST NOT BE DUPLICATED, USED OR DISCLOSED OTHER THAN AS EXPRESSLY AUTHORIZED BY MITSUBISHI ELECTRIC POWER PRODUCTS INC.</small>		CHECKED: E. FALK	DATE: 06/02/11
REF. DWG. No.		ENGINEER: E. FALK	DATE: 06/02/11
FILE LOCATION:		APPROVED: E. FALK	DATE: 06/02/11

MITSUBISHI ELECTRIC POWER PRODUCTS, INC.
 WARRENDALE, PA.

TITLE: 1100 SERIES PERIPHERAL 40-50kVA, WALL MOUNTED BYPASS
 DWG No. UD100106 SHEET 1 OF 1 REV: 6