

MITSUBISHI 7011B 8,10,12kVA UPS

CUSTOMER -

PROJECT NUMBER -

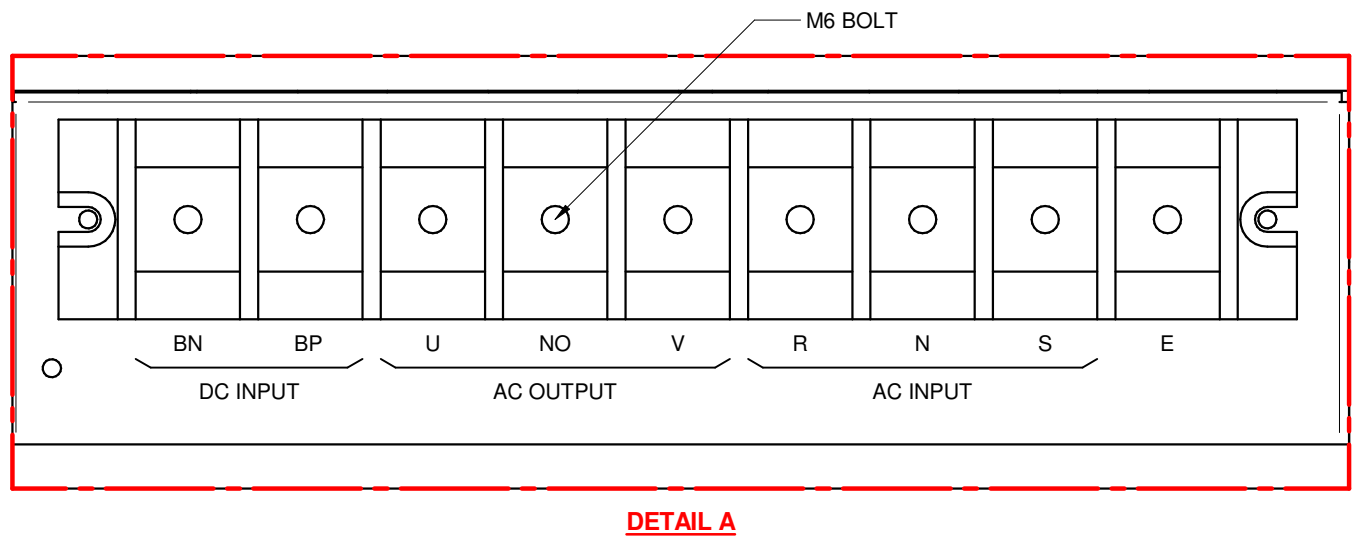
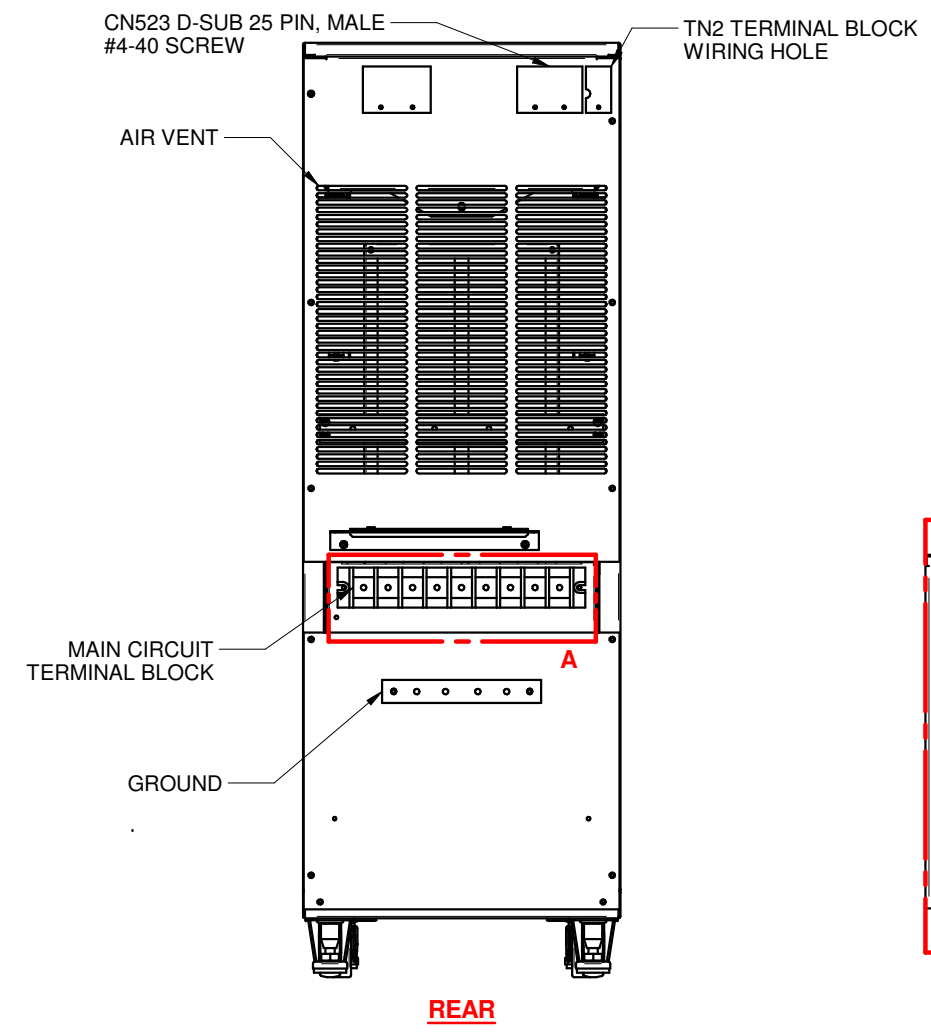
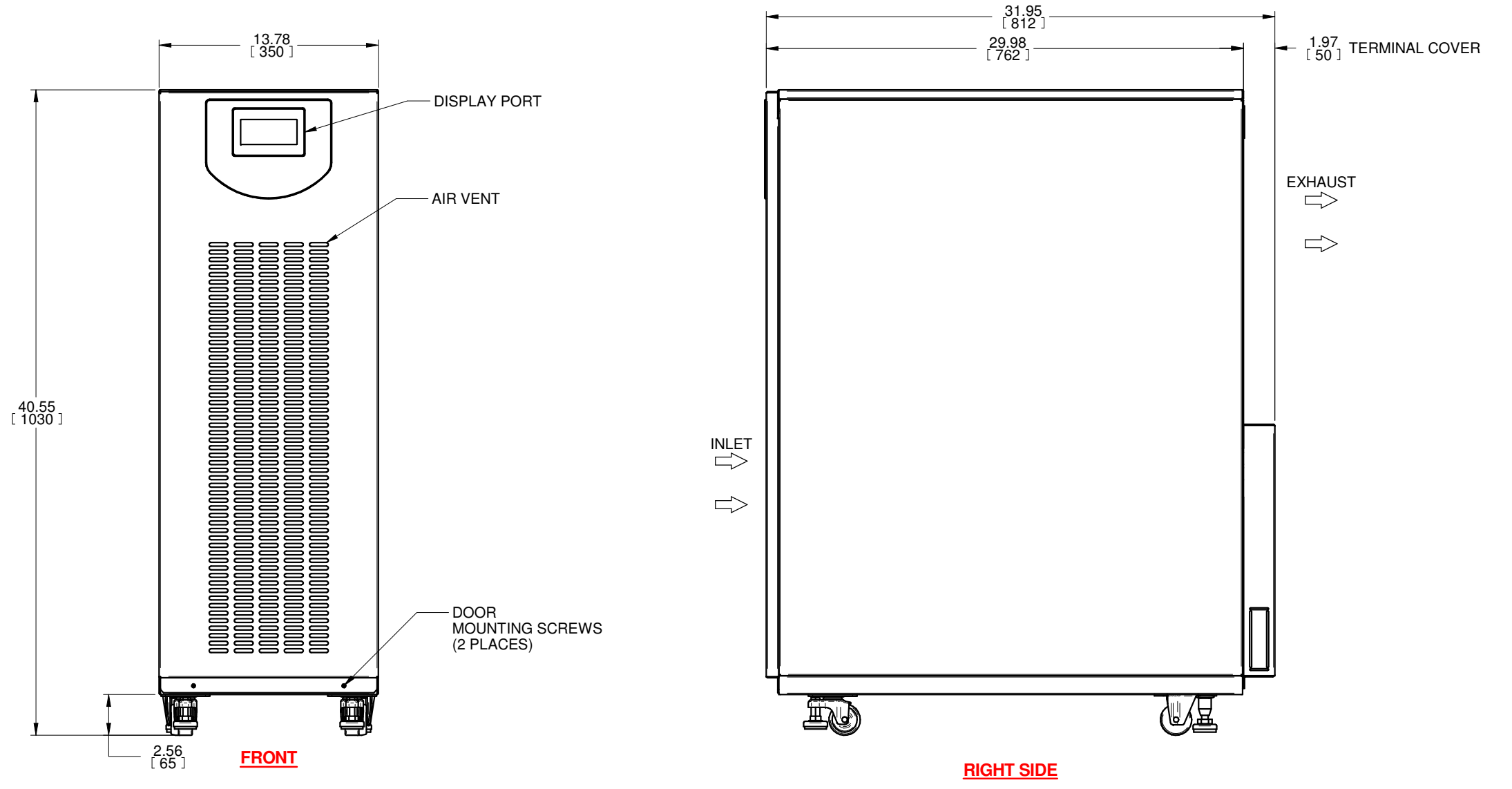
PROJECT LOCATION -

TABLE OF CONTENTS

SHEET NO.	TITLE
01	COVER SHEET
02	7011B 8,10,12 kVA SALES DRAWING
03	7011B 8,10,12 kVA SHCEMATICS
04	MINIMUM UNSTALLATION CLEARANCES
05	
06	
07	
08	
09	
10	
11	
12	
13	
14	
15	
16	

REVISIONS
 0. RELEASED FOR
 CONSTRUCTION
 Z.ZAJAC 1/2/2018

DIMENSIONS IN: IN [MM] (REF)	SCALE - NTS -	DRAFTER Z.ZAJAC	DATE 1/2/18	MITSUBISHI ELECTRIC
<p style="text-align: center;">PROPRIETARY</p> <small>This document is the property of Mitsubishi Electric Power Products, Inc. and contains proprietary and confidential information which must not be duplicated, used or disclosed other than as expressly authorized by Mitsubishi Electric Power Products, Inc.</small>				
APPROVED N.RIEMER		DATE 1/2/18		TITLE 7011B 12KVA SALES DRAWING
CORE/REFERENCE DRAWING (IF APPLICABLE)				DWG. NO. UD-100641S
				SHEET 1 OF 4 REV. 0



TYPE: UP7011B-A802SU-2
 UP7011B-A103SU-2
 UP7011B-A123SU-2

APPROXIMATE WEIGHT: 496LBS (225KG)

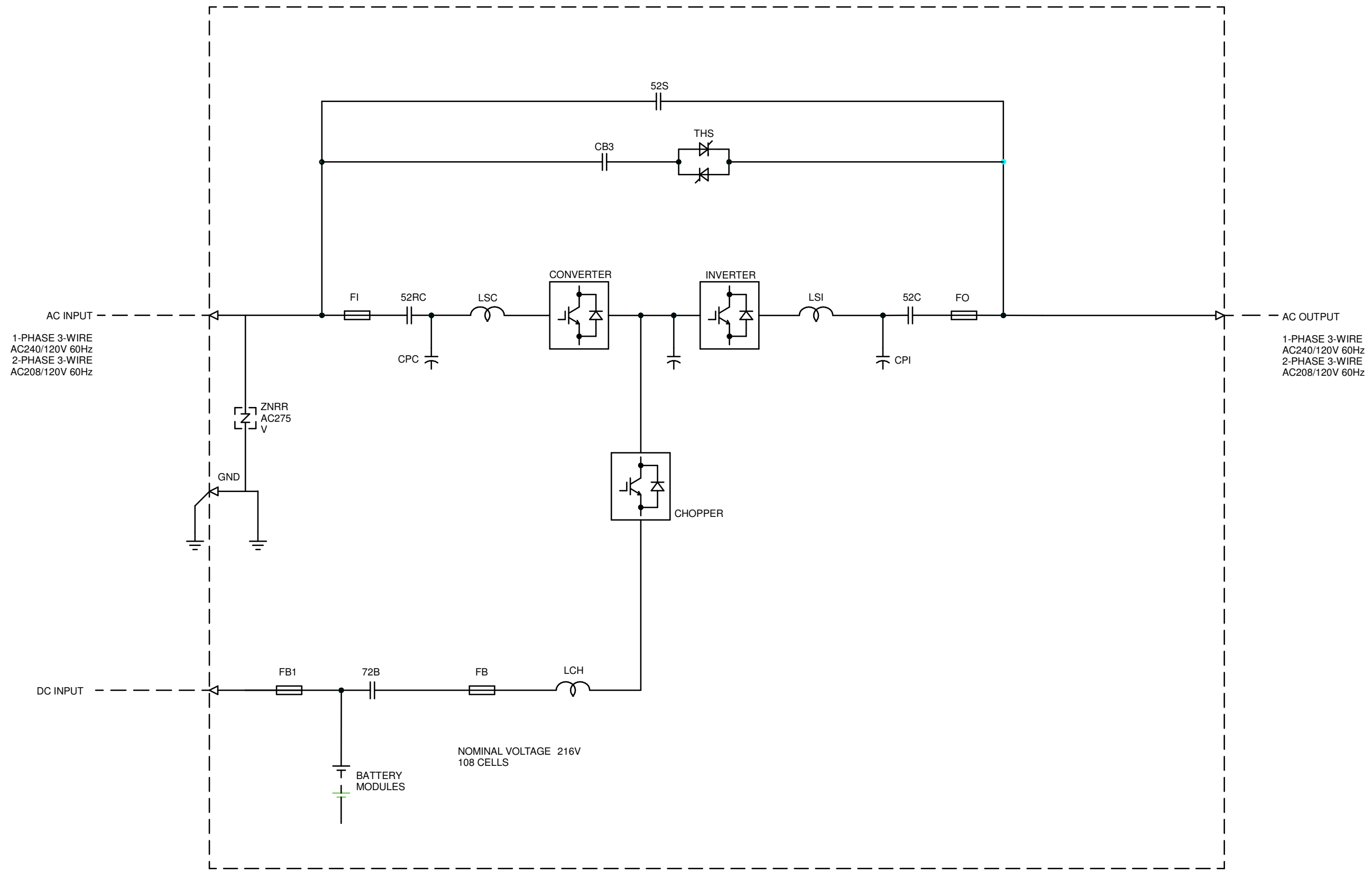
- NOTES:
1. DIMENSIONS ARE SHOWN IN INCHES[MILLIMETERS]
 2. CABINET SHOULD BE MAINTAINED UPRIGHT WITHIN ±15° DURING HANDLING.
 3. REQUIRE AT LEAST 39.4"[1000] CLEARANCE IN FRONT OF UPS FOR MAINTENANCE.
 4. REQUIRE AT LEAST 23.6"[600] CLEARANCE IN BACK OF THE UPS FOR MAINTENANCE.

7011B 12KVA SALES DRAWING

REVISIONS
 0. RELEASED FOR CONSTRUCTION
 Z.ZAJAC 1/2/2018

DIMENSIONS IN: IN [MM] (REF)	SCALE - NTS -	DRAFTER Z.ZAJAC	DATE 1/2/18	<p>MITSUBISHI ELECTRIC</p>
<p>PROPRIETARY This document is the property of Mitsubishi Electric Power Products, Inc. and contains proprietary and confidential information which must not be duplicated, used or disclosed other than as expressly authorized by Mitsubishi Electric Power Products, Inc.</p>		APPROVED N.RIEMER	DATE 1/2/18	
CORE/REFERENCE DRAWING (IF APPLICABLE)				DWG. NO. UD-100641S
				SHEET 2 OF 4 REV. 0

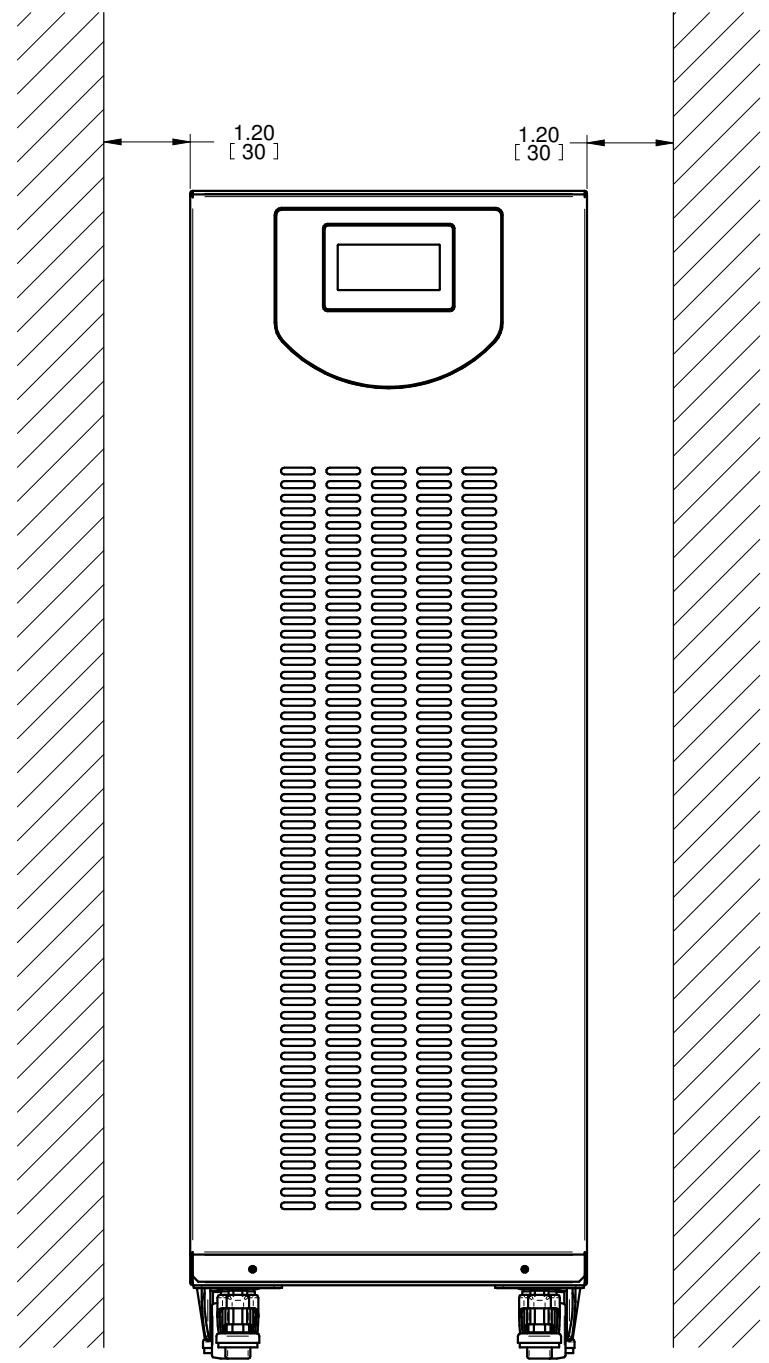
8kVA 5.6kW UPS
10kVA 7.0kW UPS
12kVA 8.4kW UPS



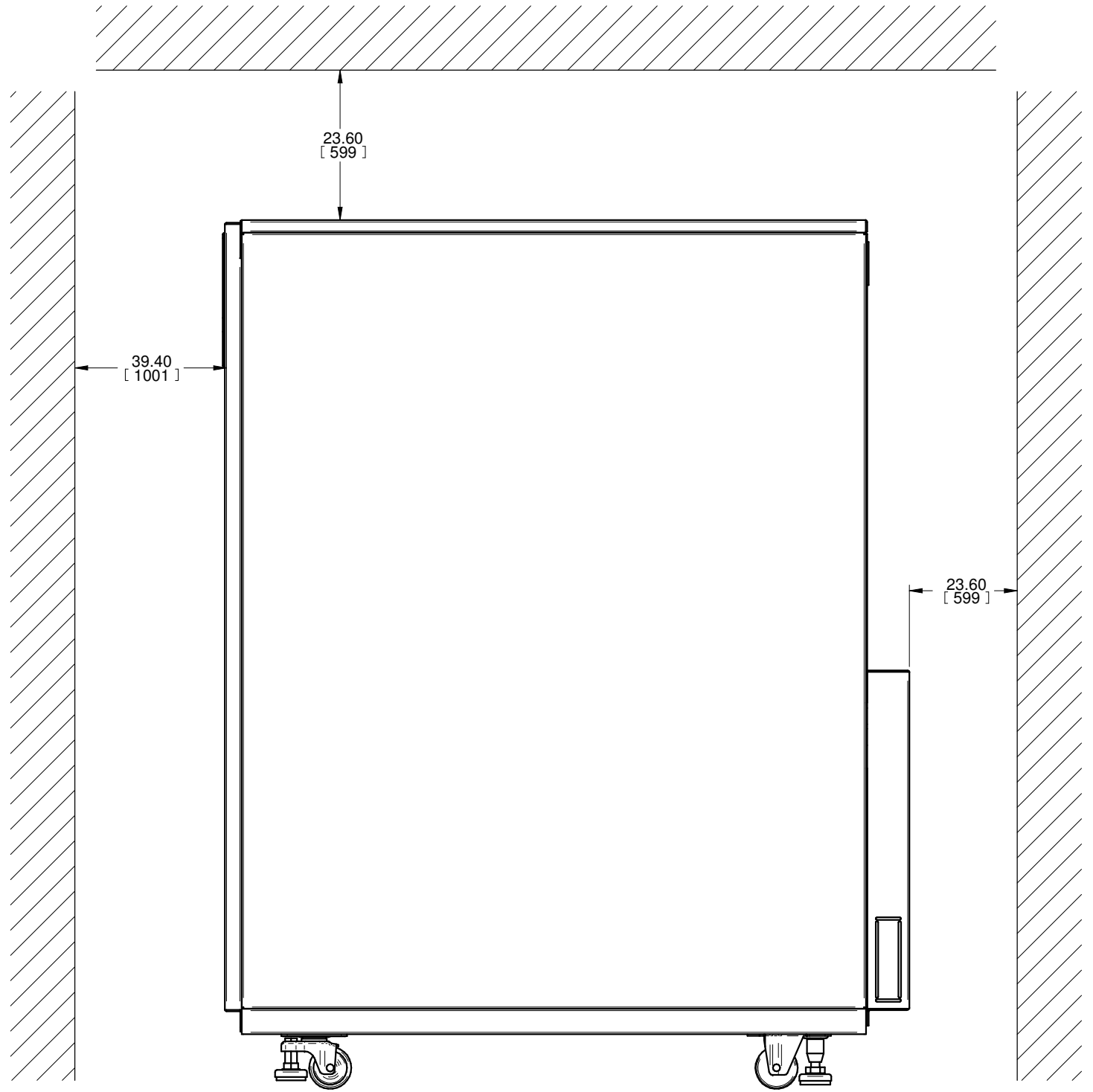
7011B 8,10,12 kVA SCHEMATIC

REVISIONS
0. RELEASED FOR CONSTRUCTION
Z.ZAJAC 1/2/2018

DIMENSIONS IN: IN (MM) (REF)	SCALE - NTS -	DRAFTER Z.ZAJAC	DATE 1/2/18	<p>MITSUBISHI ELECTRIC</p>
<p>PROPRIETARY This document is the property of Mitsubishi Electric Power Products, Inc. and contains proprietary and confidential information which must not be duplicated, used or disclosed other than as expressly authorized by Mitsubishi Electric Power Products, Inc.</p>				
APPROVED N.RIEMER		DATE 1/2/18	TITLE 7011B 12KVA SALES DRAWING	
CORE/REFERENCE DRAWING (IF APPLICABLE)		DWG. NO. UD-100641S		SHEET 3 OF 4 REV. 0



FRONT



RIGHT SIDE

MINIMUM INSTALLATION CLEARANCES

REVISIONS
0. RELEASED FOR CONSTRUCTION
Z.ZAJAC 1/2/2018

DIMENSIONS IN: IN [MM] (REF)	SCALE	DRAFTER	DATE	MITSUBISHI ELECTRIC
	- NTS -	Z.ZAJAC	1/2/18	
PROPRIETARY This document is the property of Mitsubishi Electric Power Products, Inc. and contains proprietary and confidential information which must not be duplicated, used or disclosed other than as expressly authorized by Mitsubishi Electric Power Products, Inc.	APPROVED	DATE	TITLE	DWG. NO. SHEET 4 OF 4 REV. UD-100641S 0
	N.RIEMER	1/2/18	7011B 12KVA SALES DRAWING	
CORE/REFERENCE DRAWING (IF APPLICABLE)				