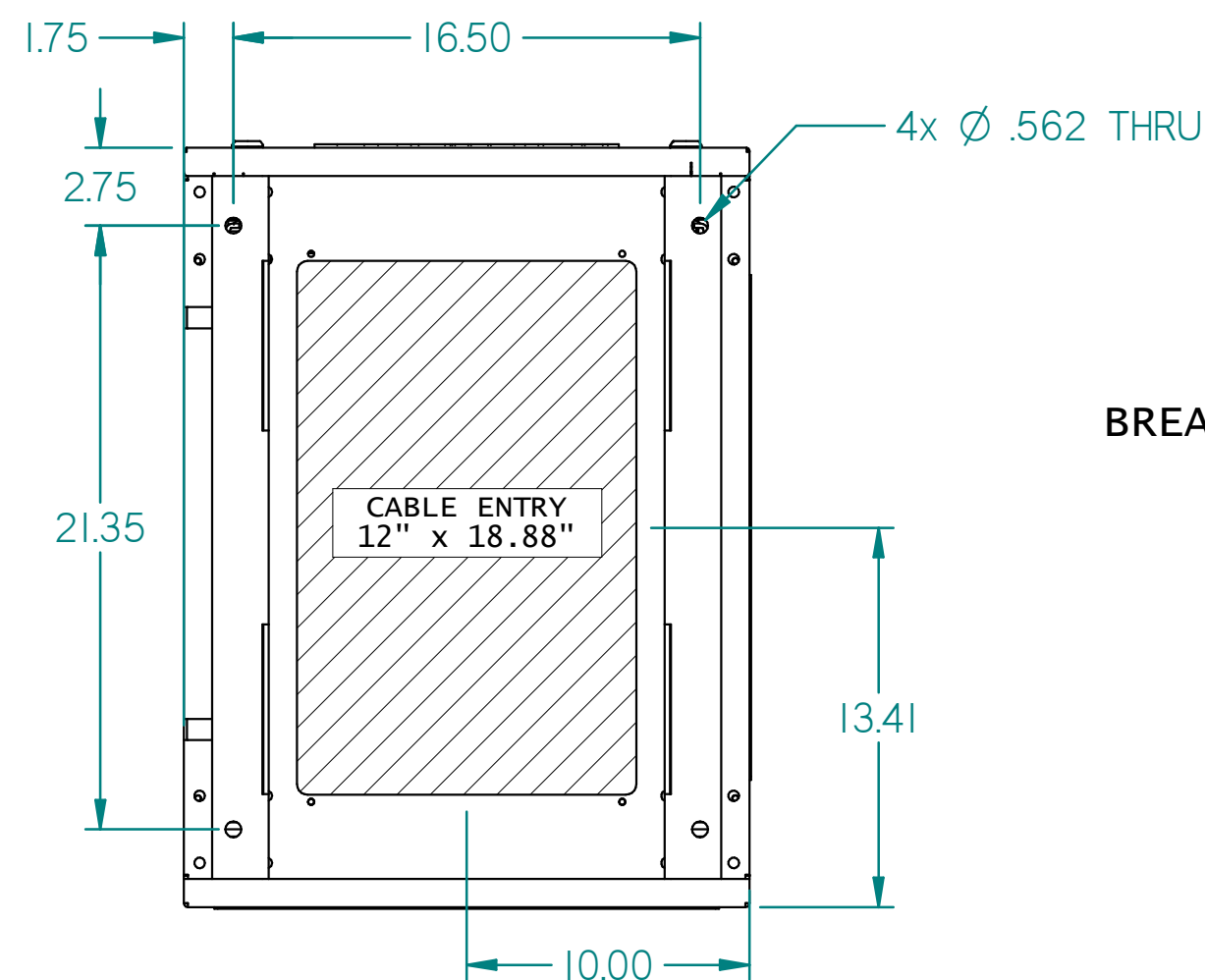


TOP VIEW



BOTTOM VIEW

PART NUMBER:
 UD-100187-XXXXXXXX

KVA OF UNIT
 0 - NONE

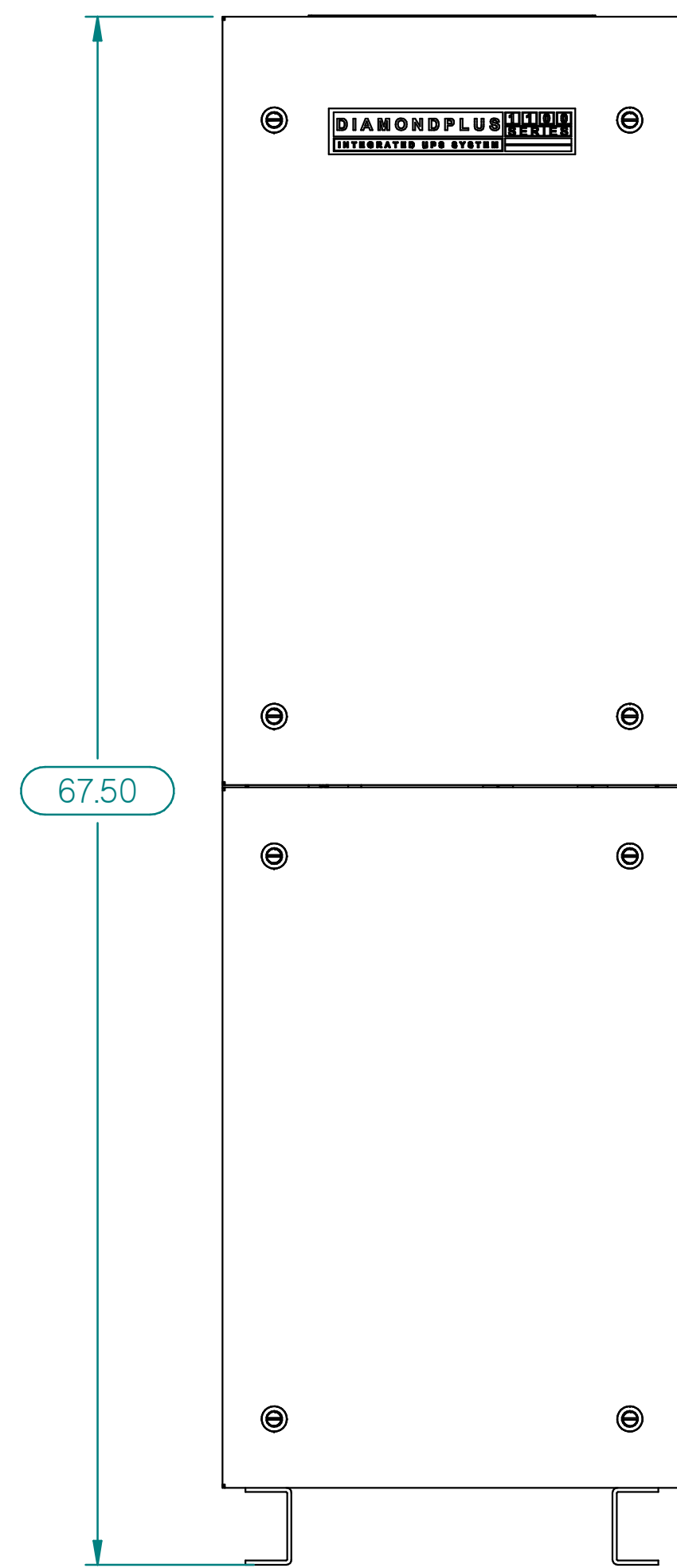
BREAKER MANUFACTURER
 D - SQUARE D

INTERLOCK
 K - KIRK KEY
 E - SKPM

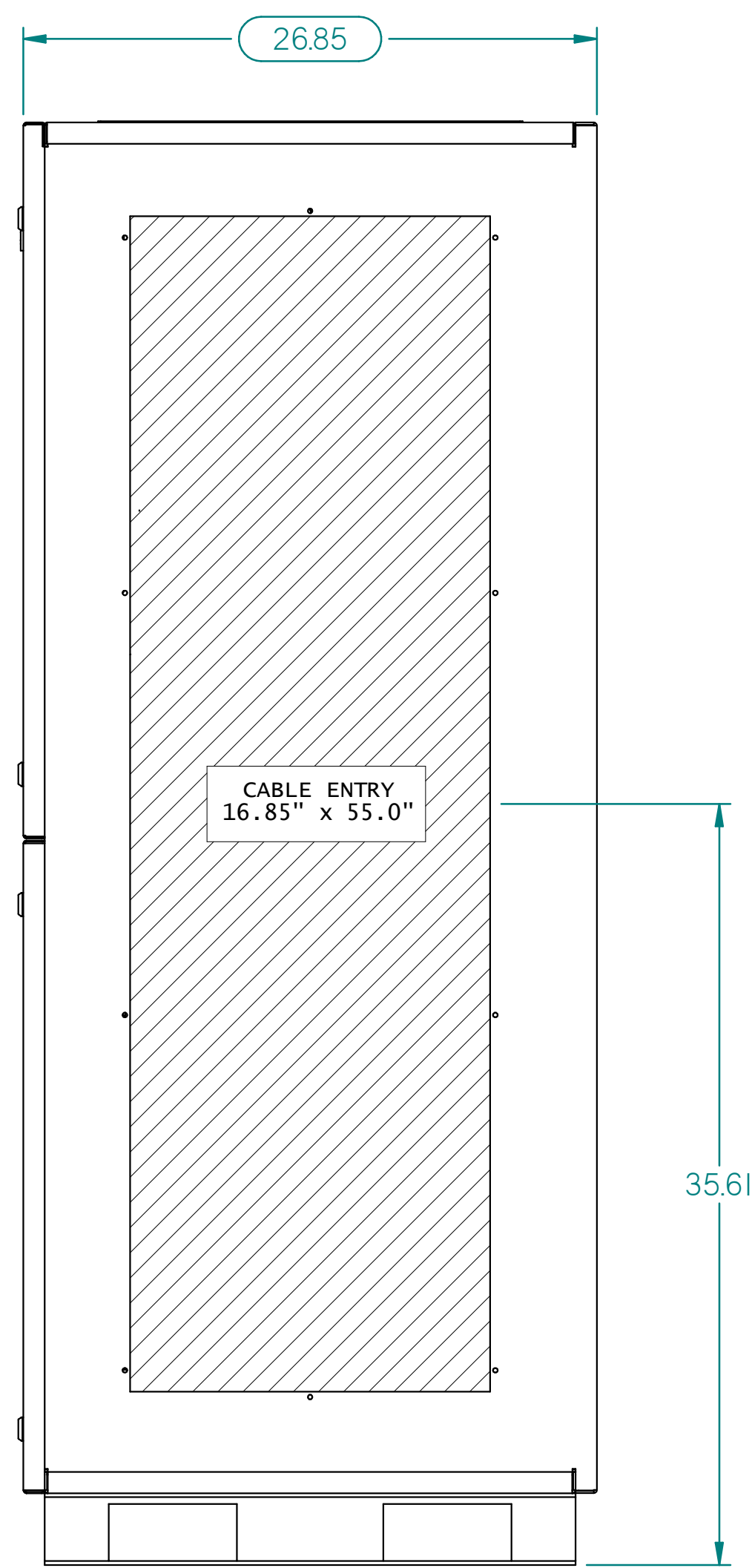
PRIMARY VOLTAGE
 0 - NO XFMR

TRANSFORMER
 N - NONE

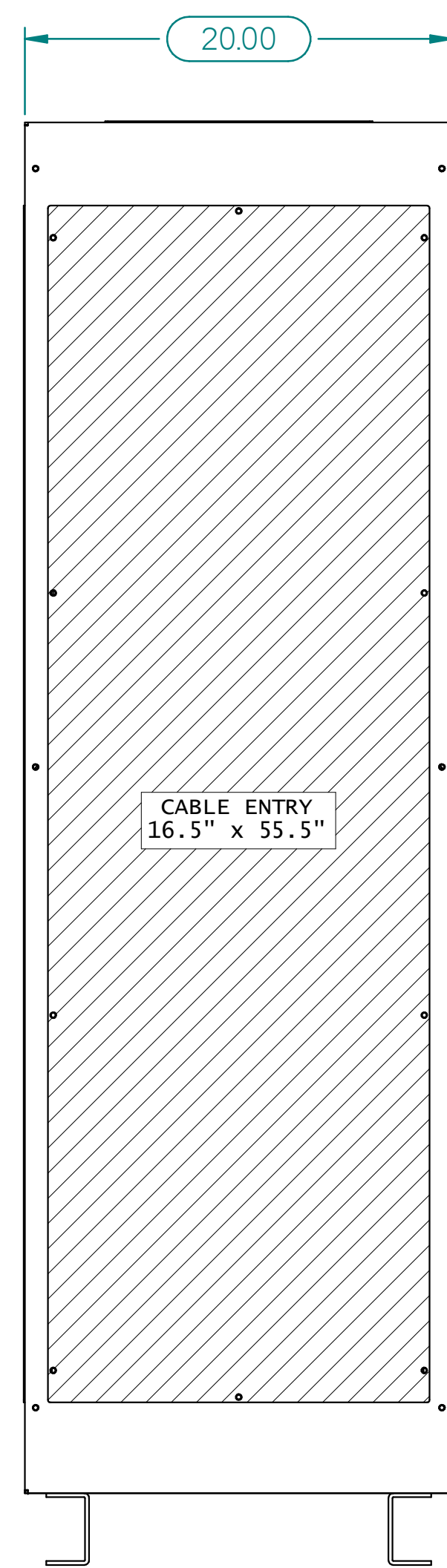
LOAD CENTER
 N - NONE
 M - 42-POLE DIST W/ DISC. & 1 DIST.
 B - (2) SUB-FEED BREAKERS
 F - (4) SUB-FEED BREAKERS



FRONT VIEW



RIGHT SIDE VIEW



REAR VIEW

- NOTES:**
1. BYPASS IS DESIGNED TO INTEGRALLY ATTACH TO THE RIGHT SIDE OF THE 1100B UPS.
 2. BYPASS WEIGHT: 345 LBS.
 3. ATTACH BYPASS TO UPS VIA (4) M8 x 25MM BOLTS. (SUPPLIED BY OTHERS)
 4. CUSTOMER CONNECTIONS: (2) NEMA 2 HOLE PROVISIONS PER PHASE
 5. IF OPTIONAL CASTERS ARE USED, THE OVERALL CABINET HEIGHT WILL REMAIN THE SAME.
 6. ALL CABINET CONFIGURATIONS ARE RATED 10KA INTERRUPTING CURRENT.
 7. THIS UNIT IS UL,CUL LISTED

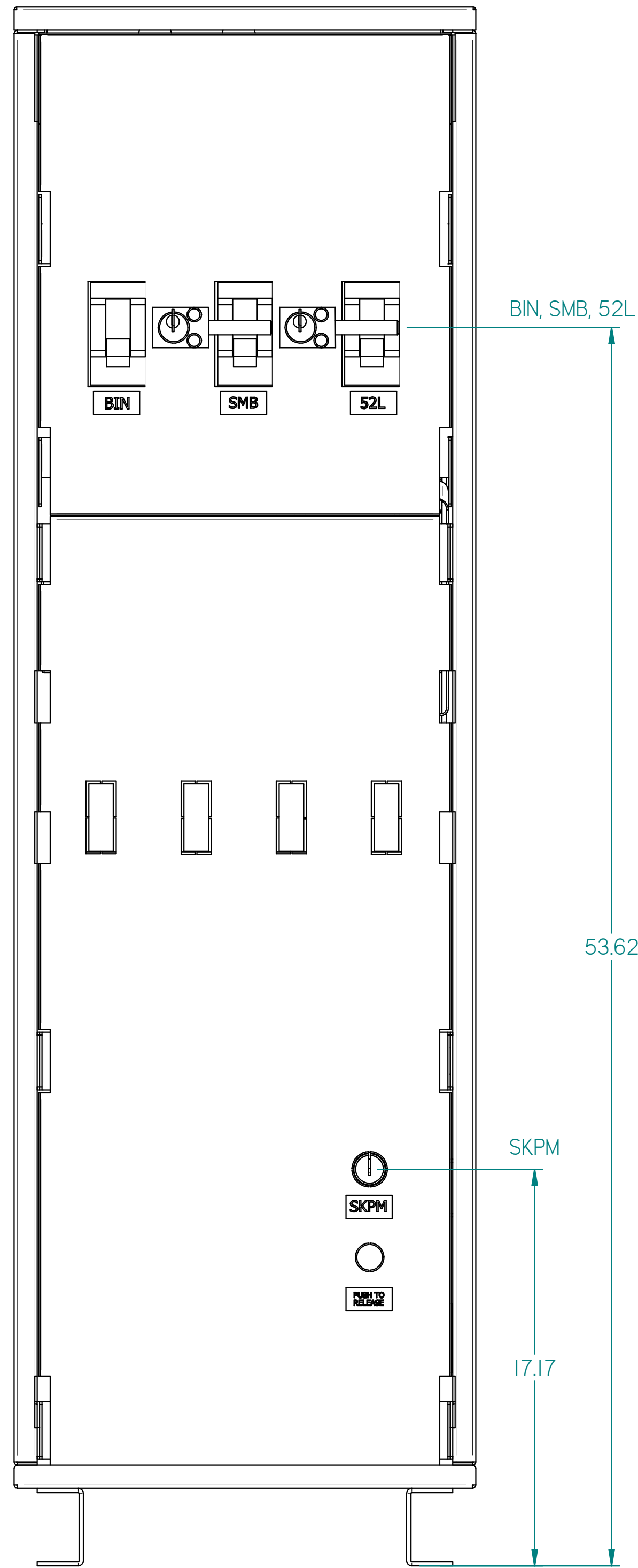
REVISIONS	DATE
0 INITIAL RELEASE GDJ 11/16/12	9/21/12
1 ADDED CASTERS GDJ 11/29/12	9/21/12
2 ADDED 2 MORE DISTRIBUTION BREAKERS GDJ 06/03/13	9/21/12
3 ADDED NEW BREAKER TABLE ON SHEETS 12 THRU 16 GDJ 03/19/14	9/21/12
4 GENERAL REVISIONS MTN 6/18/14	9/21/12
5 ADDED INPUT/BYPASS JUMPER KIT EGF 11/3/15	9/21/12
6 ADDED NOTE FOR UL AND CUL LISTING C.JOHNSTON 5/25/2016	9/21/12

DIM. IN [IN]	SCALE	DRAFTER	DATE
	NTS	G. JOHNSTON	9/21/12
		CHECKED N. RIEMER	DATE 9/21/12
		ENGINEER ED FALK	DATE 9/21/12
		APPROVED K. BEAMER	DATE 9/21/12

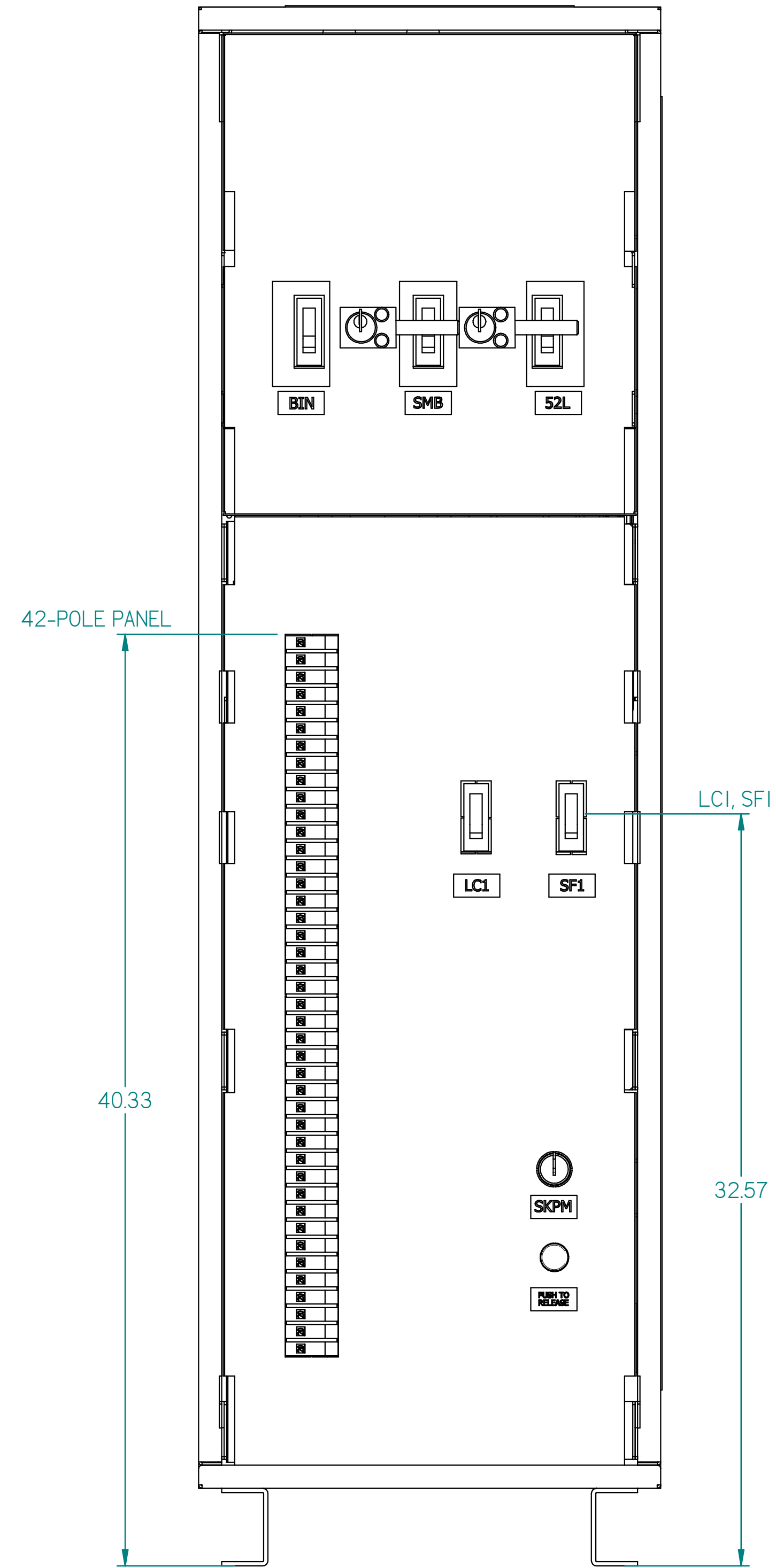
MITSUBISHI ELECTRIC POWER PRODUCTS, INC.
 WARRENDALE, PA.

TITLE **1100B UPS PERIPHERAL BYPASS CABINET**

DWG. NO. **UD-100187S** SHEET 1 OF 8 REV. **6**



**3 BREAKER BYPASS
(DOORS REMOVED)**



**3 BREAKER BYPASS w/ 42 POLE DISTRIBUTION,
DISCONNECT BREAKER & (1) DISTRIBUTION
BREAKER
(DOORS REMOVED)**

REVISIONS

NO.	DATE	DESCRIPTION

DIM. IN [IN]	SCALE NTS	DRAFTER G. JOHNSTON	DATE
<small>PROPRIETARY This document is the property of Mitsubishi Electric Power Products, Inc. and contains proprietary and confidential information which must not be duplicated, used or disclosed other than as expressly authorized by Mitsubishi Electric Power Products, Inc.</small>		CHECKED	DATE
REF DWG. NO.		ENGINEER	DATE
FILE LOCATION:		APPROVED	DATE

MITSUBISHI ELECTRIC POWER PRODUCTS, INC.
 WARRENDALE, PA.
TITLE 1100B UPS PERIPHERAL BYPASS CABINET
 DWG. NO. UD-100187S SHEET 2 OF 8 REV. 6

4

4

3

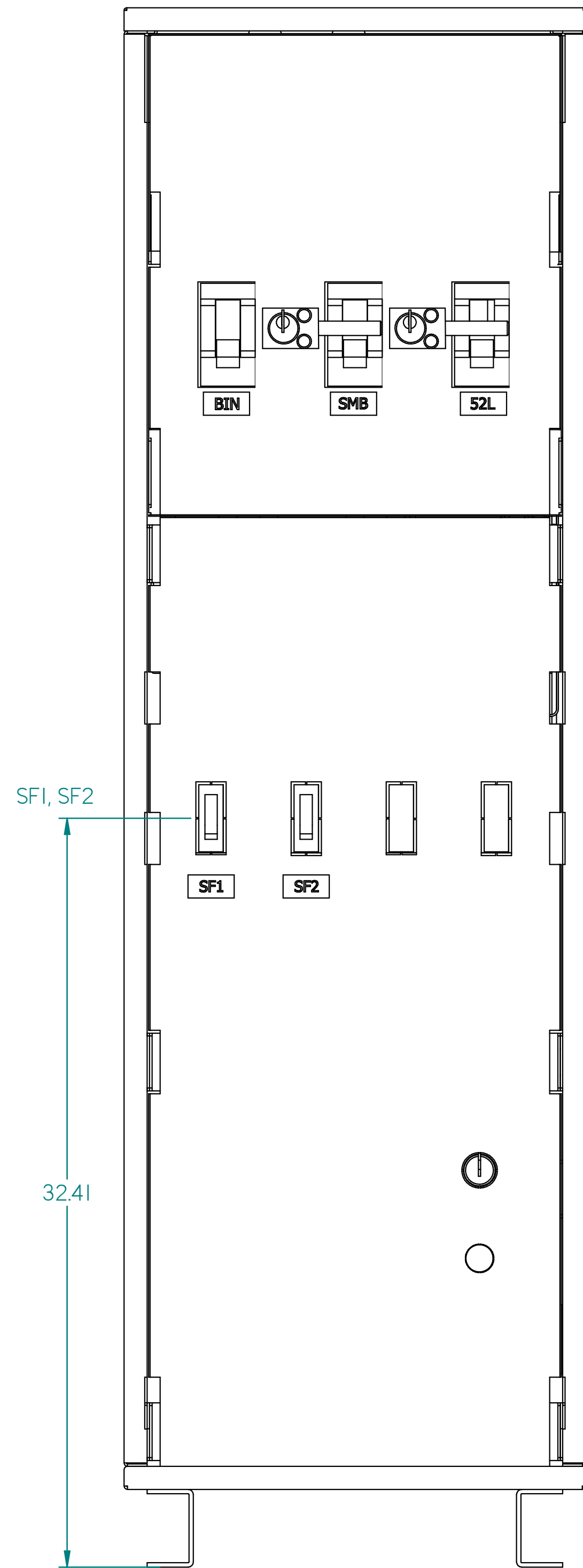
3

2

2

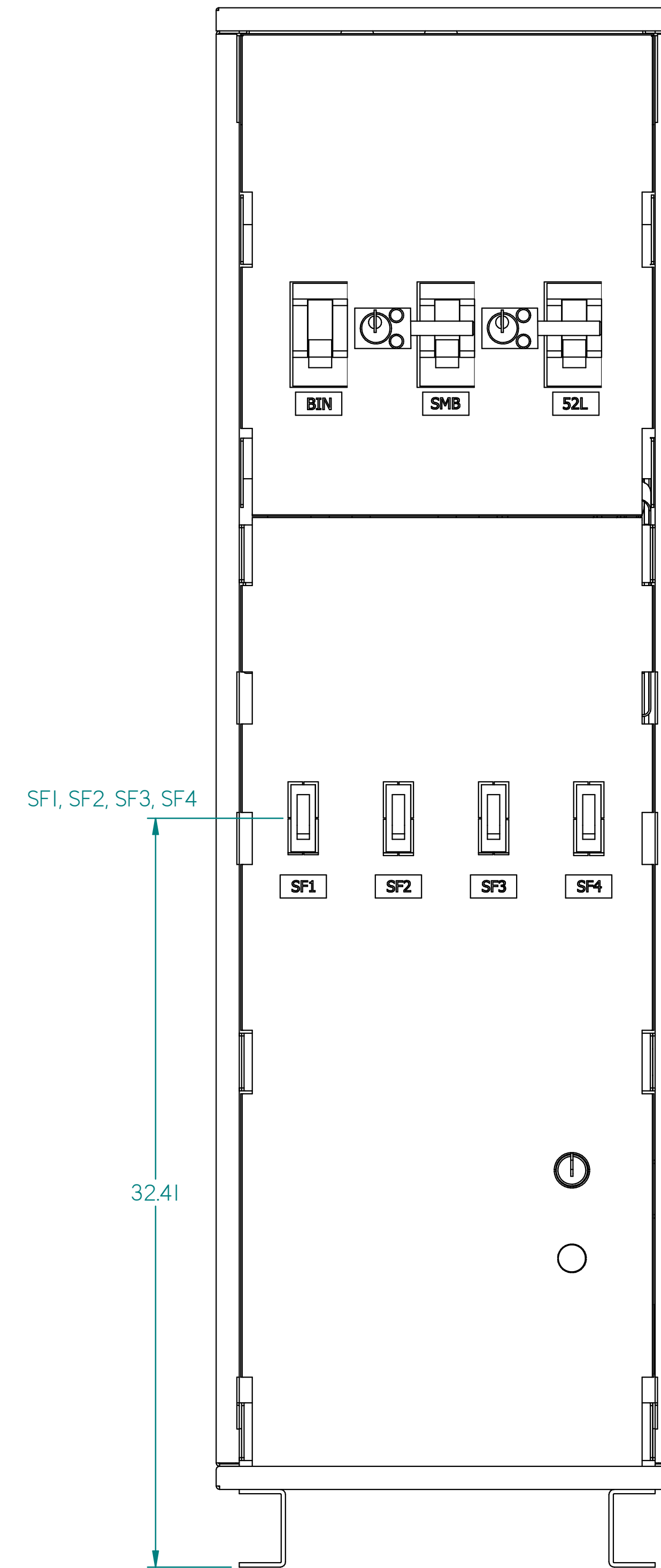
1

1



3 BREAKER BYPASS w/ (2) SUB-FEED BREAKERS

(DOORS REMOVED)



3 BREAKER BYPASS w/ (4) SUB-FEED BREAKERS

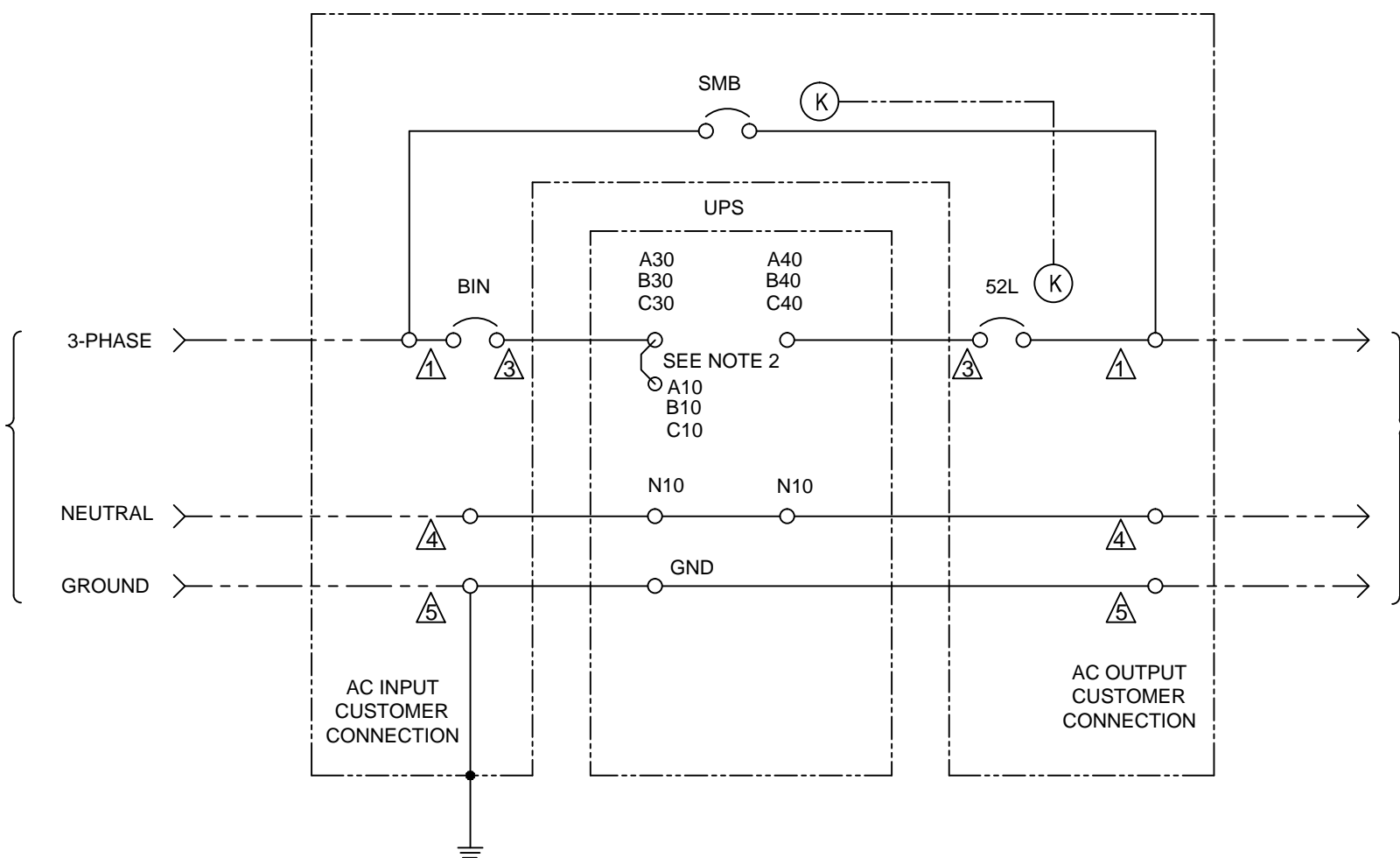
(DOORS REMOVED)

REVISIONS

NOZU

DIM. IN [IN]	SCALE NTS	DRAFTER G. JOHNSTON	DATE	<p>MITSUBISHI ELECTRIC POWER PRODUCTS, INC. WARRENDALE, PA.</p>	
<small>PROPRIETARY This document is the property of Mitsubishi Electric Power Products, Inc. and contains proprietary and confidential information which must not be duplicated, used or disclosed other than as expressly authorized by Mitsubishi Electric Power Products, Inc.</small>			CHECKED		DATE
REF DWG. NO.			ENGINEER		DATE
FILE LOCATION:			APPROVED		DATE
				DWG. NO. UD-100187S SHEET 3 OF 8 REV. 6	

MAINTENANCE SYSTEM BYPASS 3 BREAKER



LEGEND

- — — — — WIRED BY MITSUBISHI
- — — — — WIRED BY CUSTOMER
- ⊖ — — — — — KIRK-KEY INTERLOCK SYSTEM
- SKPM — — — — — SOLENOID KEY RELEASE-(OPTIONAL)
- △ — — — — — CONNECTION TYPE

NOTES:

1. 50-60 KVA MLO
70-80 KVA MAIN CIRCUIT BREAKER
2. OPTIONAL INPUT/BYPASS JUMPER CBL-1100B-080-JMP

CUSTOMER CONNECTION SCHEDULE

Cable Connection Schedule						
Drawing Designation	Connection Type	Connection Location	Connection Size	Wire Type (70-80kVA)	Wire Type (50-60kVA)	Suggested Connector
△ 1	Phase Power Input/Output	Input Power Connection	3/8" Clearance Hole. 1.75" Center to Center Spacing	Consult NEC NFPA 70		Burndy YA-L Series or YAV Series for 2-Hole
△ 2	Phase Power Input/Output	Breaker Output	3/8" Clearance Hole.	(1) 3/0 AWG-350kcmil		Burndy YA-L Series
△ 3	Phase Power Input/Output	Input Power Connection Block	3/8" Clearance Hole.	(2) 2/0 AWG-500kcmil	(1) 3/0 AWG-350kcmil	Burndy YA-L Series
△ 4	Neutral Input/Output	Input Neutral Connection Block	3/8" Clearance Hole. 1.75" Center to Center Spacing	Consult NEC NFPA 70		Burndy YA-L Series or YAV Series for 2-Hole
△ 5	Ground Connection	Ground Bus Bar	3/8" Clearance Hole. 1.75" Center to Center Spacing	Consult NEC NFPA 70 Article 250		Burndy YA-L Series or YAV Series for 2-Hole

3 Breaker Bypass Cabinet							
Circuit Breaker Summary							
UPS kVA	Mfg.	Breaker Size	Frame Size	Bypass Breaker		Breaker AIC	Wire Range
				Trip Setting	P/N		
50	Square-D	J-Frame	250A	200A	JDF36200	25k	(1) 3/0 AWG-350kcmil
60				225A	JDF36225		
70		L-Frame	400A	275A	LDF36400U31X		
80	300A						

REVISIONS

DIM. IN: INCHES	SCALE: NTS	DRAFTER: G. JOHNSTON	DATE:
<small>PROPRIETARY THIS DOCUMENT IS PROPERTY OF MITSUBISHI ELECTRIC POWER PRODUCTS INC. AND CONTAINS PROPRIETARY AND CONFIDENTIAL INFORMATION WHICH MUST NOT BE DUPLICATED, USED OR DISCLOSED OTHER THAN AS EXPRESSLY AUTHORIZED BY MITSUBISHI ELECTRIC POWER PRODUCTS INC.</small>			
REF. DWG. No.	APPROVED:	ENGINEER:	DATE:
FILE LOCATION:			

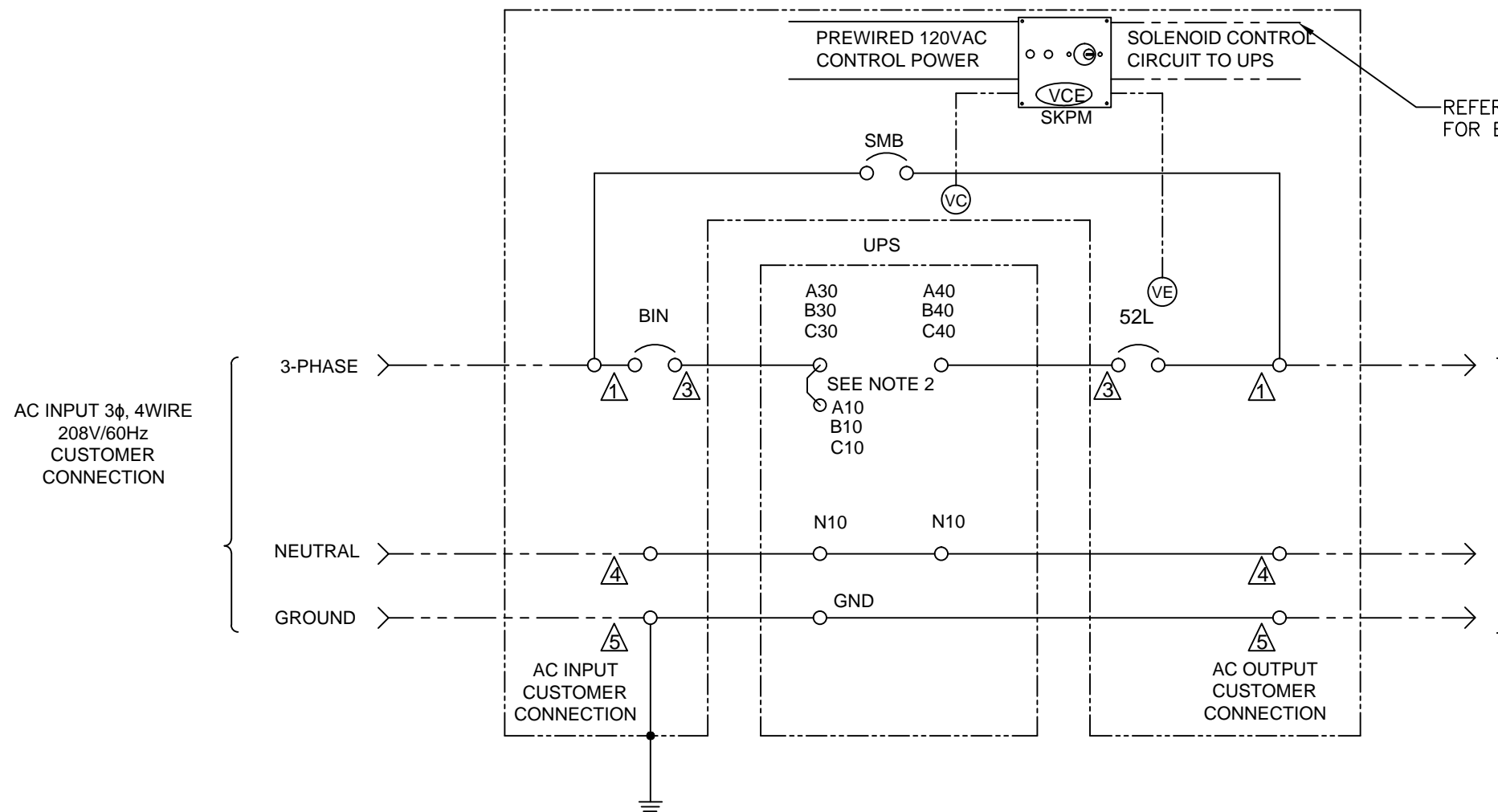


TITLE: 1100B BYPASS CABINET SINGLE LINE SCHEMATIC
DWG. No. UD-100187S SHEET 4 OF 8 REV: 6

LEGEND

- WIRE BY MITSUBISHI
- - - - - WIRE BY CUSTOMER
- (K) - - - - KIRK-KEY INTERLOCK SYSTEM
- SKPM
- △
- SOLENOID KEY RELEASE-(OPTIONAL)
- CONNECTION TYPE

MAINTENANCE SYSTEM BYPASS 3 BREAKER W/ SOLENOID KEY RELEASE



REFERENCE DRAWING UD-SKPM208 FOR ELECTRICAL SCHEMATIC

NOTES:

1. 50-60 KVA MLO
70-80 KVA MAIN CIRCUIT BREAKER
2. OPTIONAL INPUT/BYPASS JUMPER CBL-1100B-080-JMP

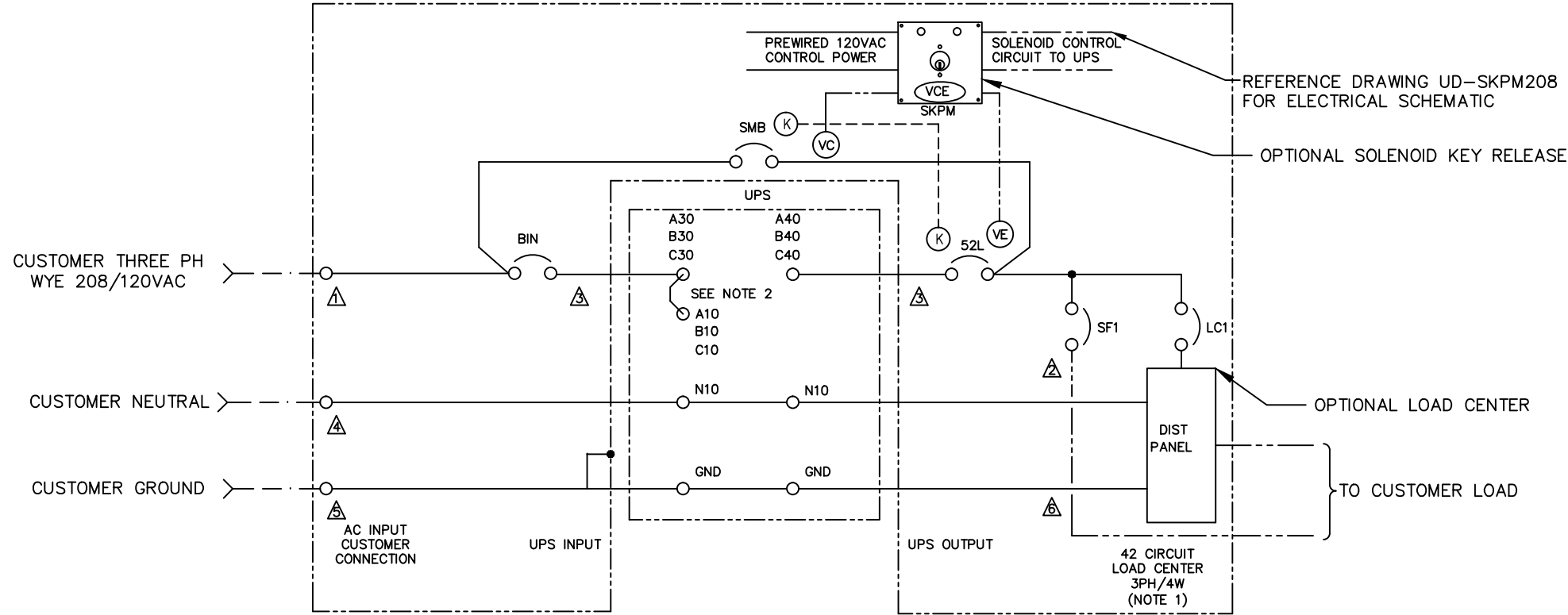
CUSTOMER CONNECTION SCHEDULE

Cable Connection Schedule						
Drawing Designation	Connection Type	Connection Location	Connection Size	Wire Type (70-80kVA)	Wire Type (50-60kVA)	Suggested Connector
△1	Phase Power Input/Output	Input Power Connection	3/8" Clearance Hole. 1.75" Center to Center Spacing	Consult NEC NFPA 70 Article 250		Burndy YA-L Series or YAV Series for 2-Hole
△2	Phase Power Input/Output	Breaker Output	3/8" Clearance Hole.	(1) 3/0 AWG-350kcmil		Burndy YA-L Series
△3	Phase Power Input/Output	Input Power Connection Block	3/8" Clearance Hole.	(2) 2/0 AWG-500kcmil	(1) 3/0 AWG-350kcmil	Burndy YA-L Series
△4	Neutral Input/Output	Input Neutral Connection Block	3/8" Clearance Hole. 1.75" Center to Center Spacing	Consult NEC NFPA 70 Article 250		Burndy YA-L Series or YAV Series for 2-Hole
△5	Ground Connection	Ground Bus Bar	3/8" Clearance Hole. 1.75" Center to Center Spacing	Consult NEC NFPA 70 Article 250	Consult NEC NFPA 70 Article 250	Burndy YA-L Series or YAV Series for 2-Hole

3 Breaker Bypass Cabinet							
Circuit Breaker Summary							
UPS KVA	Mfg.	Bypass Breaker		Trip Setting	P/N	Breaker AIC	Wire Range
		Breaker Size	Frame Size				
50	Square-D	J-Frame	250A	200A	JDF36200	25k	(1) 3/0 AWG-350kcmil
60				225A	JDF36225		
70		L-Frame	400A	275A	LDF36400U31X		
80				300A			

REVISIONS	DIM. IN: INCHES	SCALE: NTS	DRAFTER: G. JOHNSTON	DATE:	MITSUBISHI ELECTRIC POWER PRODUCTS, INC. WARRENDALE, PA.		
	PROPRIETARY THIS DOCUMENT IS PROPERTY OF MITSUBISHI ELECTRIC POWER PRODUCTS INC. AND CONTAINS PROPRIETARY AND CONFIDENTIAL INFORMATION WHICH MUST NOT BE DUPLICATED, USED OR DISCLOSED OTHER THAN AS EXPRESSLY AUTHORIZED BY MITSUBISHI ELECTRIC POWER PRODUCTS INC.					CHECKED:	DATE:
	REF. DWG. No.					APPROVED:	DATE:
	FILE LOCATION:					TITLE: 1100B BYPASS CABINET SINGLE LINE SCHEMATIC DWG. No. UD-100187S SHEET 5 OF 8 REV:	
						6	

MAINTENANCE SYSTEM BYPASS W/ POWER DISTRIBUTION



LEGEND

- — WIRED BY MITSUBISHI
- - - - WIRED BY CUSTOMER
- ⊙ — KIRK-KEY INTERLOCK SYSTEM
- SKPM — SOLENOID KEY RELEASE-(OPTIONAL)
- △ — CONNECTION TYPE

NOTES:

1. 50-60 KVA MLO
70-80 KVA MAIN CIRCUIT BREAKER
2. OPTIONAL INPUT/BYPASS JUMPER CBL-1100B-080-JMP

CUSTOMER CONNECTION SCHEDULE

Cable Connection Schedule						
Drawing Designation	Connection Type	Connection Location	Connection Size	Wire Type (70-80kVA)	Wire Type (50-60kVA)	Suggested Connector
△1	Phase Power Input/Output	Input Power Connection	3/8" Clearance Hole. 1.75" Center to Center Spacing	Consult NEC NFPA 70		Burndy YA-Series or YAV Series for 2-Hole
△2	Phase Power Input/Output	Breaker Output	3/8" Clearance Hole.	(1) 3/0 AWG-350kcmil		Burndy YA-Series
△3	Phase Power Input/Output	Input Power Connection Block	3/8" Clearance Hole.	(2) 2/0 AWG-500kcmil	(1) 3/0 AWG-350kcmil	Burndy YA-Series
△4	Neutral Input/Output	Input Neutral Connection Block	3/8" Clearance Hole. 1.75" Center to Center Spacing	Consult NEC NFPA 70		Burndy YA-Series or YAV Series for 2-Hole
△5	Ground Connection	Ground Buss Bar	3/8" Clearance Hole. 1.75" Center to Center Spacing	Consult NEC NFPA 70 Article 250		Burndy YA-Series or YAV Series for 2-Hole
△6	Ground Connection	Ground Buss Bar	.224" Hole for 1/4" Thread Forming Screw	Consult NEC NFPA 70 Article 251		Burndy YA-Series

3 Breaker Bypass Cabinet								
Circuit Breaker Summary								
Bypass Breaker								
UPS kVA	Mfg.	Breaker Size	Frame Size	Trip Setting	P/N	Breaker AIC	Wire Range	
50	Square-D	J-Frame	250A	200A	JDF36200	25k	(1) 3/0 AWG-350kcmil	
60				225A	JDF36225			
70		L-Frame	400A	275A	LDF36400U31X			
80				300A				
Subfeed (SF) Breaker								
50	Square-D	J-Frame	250A	200A	JDF36200	25k	(1) 3/0 AWG-350kcmil	
60		J-Frame		225A	JDF36225			
70				J-Frame	250A			225A
80								
Load Center Breaker								
50	Square-D	QOB Breakers		10-125A 1, 2, or 3 pole	Varies depending on size	10k	Varies depending on size	
60								
70								
80								

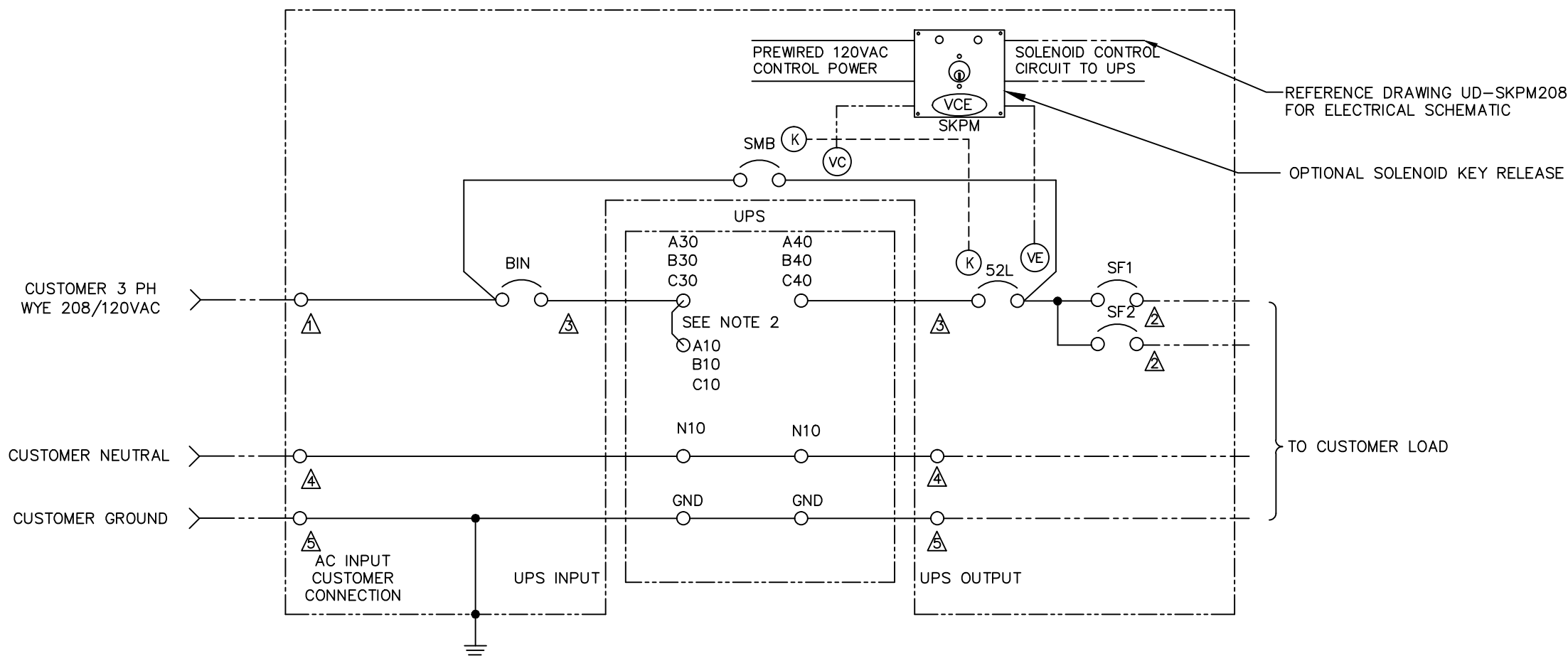
REVISIONS	DIM. IN: INCHES	SCALE: NTS	DRAFTER: G. JOHNSTON	DATE:	MITSUBISHI ELECTRIC POWER PRODUCTS, INC. WARRENDALE, PA. TITLE: 1100B BYPASS CABINET SINGLE LINE SCHEMATIC DWG. No. UD-100187S SHEET 6 OF 8 REV: 6
	PROPRIETARY THIS DOCUMENT IS PROPERTY OF MITSUBISHI ELECTRIC POWER PRODUCTS INC. AND CONTAINS PROPRIETARY AND CONFIDENTIAL INFORMATION WHICH MUST NOT BE DUPLICATED, USED OR DISCLOSED OTHER THAN AS EXPRESSLY AUTHORIZED BY MITSUBISHI ELECTRIC POWER PRODUCTS INC.				
	REF. DWG. No.	APPROVED:	DATE:	DATE:	
	FILE LOCATION:				

DWG. No. UD-100187S

MAINTENANCE SYSTEM BYPASS W/ SUBFEED CIRCUIT BREAKERS

LEGEND

- WIRED BY MITSUBISHI
- - - WIRED BY CUSTOMER
- (K) - - - KIRK-KEY INTERLOCK SYSTEM
- SKPM
- △
- SOLENOID KEY RELEASE-(OPTIONAL)
- CONNECTION TYPE



REFERENCE DRAWING UD-SKPM208 FOR ELECTRICAL SCHEMATIC

OPTIONAL SOLENOID KEY RELEASE

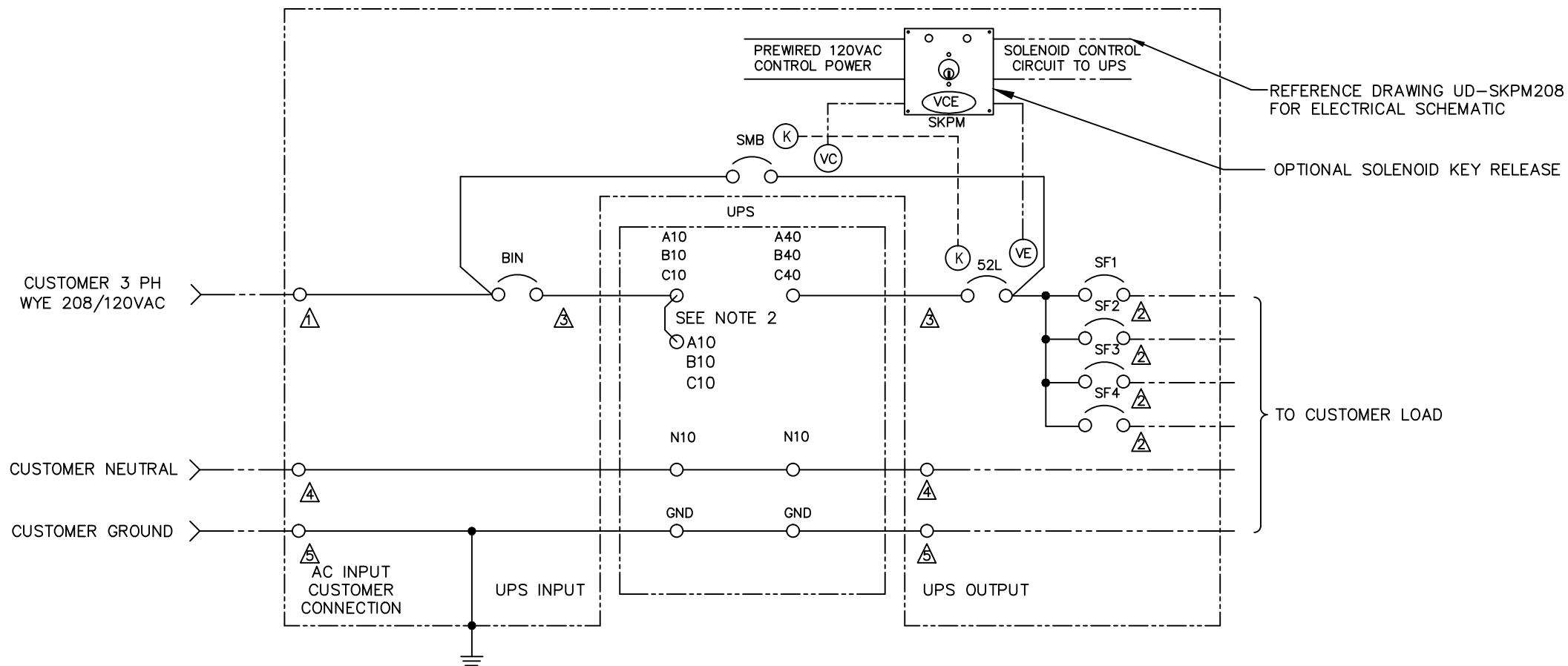
TO CUSTOMER LOAD

- NOTES:
1. 50-60 KVA MLO
70-80 KVA MAIN CIRCUIT BREAKER
 2. OPTIONAL INPUT/BYPASS JUMPER CBL-1100B-080-JMP

CUSTOMER CONNECTION SCHEDULE

REVISIONS	DIM. IN: INCHES	SCALE: NTS	DRAFTER: G. JOHNSTON	DATE:	<p>MITSUBISHI ELECTRIC POWER PRODUCTS, INC. WARRENDALE, PA.</p> <p>TITLE: 1100B BYPASS CABINET SINGLE LINE SCHEMATIC</p> <p>DWG. No. UD-100187S SHEET 7 OF 8 REV: 6</p>	
	<small>PROPRIETARY THIS DOCUMENT IS PROPERTY OF MITSUBISHI ELECTRIC POWER PRODUCTS INC. AND CONTAINS PROPRIETARY AND CONFIDENTIAL INFORMATION WHICH MUST NOT BE DUPLICATED, USED OR DISCLOSED OTHER THAN AS EXPRESSLY AUTHORIZED BY MITSUBISHI ELECTRIC POWER PRODUCTS INC.</small>			CHECKED:		DATE:
	REF. DWG. No.	APPROVED:	DATE:	DATE:		
	FILE LOCATION:					

MAINTENANCE SYSTEM BYPASS W/ SUBFEED CIRCUIT BREAKERS



LEGEND

- WIRED BY MITSUBISHI
- - - WIRED BY CUSTOMER
- - - (K) - KIRK-KEY INTERLOCK SYSTEM
- SKPM - SOLENOID KEY RELEASE-(OPTIONAL)
- △ - CONNECTION TYPE

NOTES:

1. 50-60 KVA MLO
70-80 KVA MAIN CIRCUIT BREAKER
2. OPTIONAL INPUT/BYPASS JUMPER CBL-1100B-080-JMP

CUSTOMER CONNECTION SCHEDULE

Cable Connection Schedule						
Drawing Designation	Connection Type	Connection Location	Connection Size	Wire Type (70-80kVA)	Wire Type (50-60kVA)	Suggested Connector
△1	Phase Power Input/Output	Input Power Connection	3/8" Clearance Hole. 1.75" Center to Center Spacing	Consult NEC NFPA 70 Article 250		Burndy YA-L Series or YAV Series for 2-Hole
△2	Phase Power Input/Output	Breaker Output	3/8" Clearance Hole.	(1) 3/0 AWG-350kcmil		Burndy YA-L Series
△3	Phase Power Input/Output	Input Power Connection Block	3/8" Clearance Hole.	(2) 2/0 AWG-500kcmil	(1) 3/0 AWG-350kcmil	Burndy YA-L Series
△4	Neutral Input/Output	Input Neutral Connection Block	3/8" Clearance Hole. 1.75" Center to Center Spacing	Consult NEC NFPA 70 Article 250		Burndy YA-L Series or YAV Series for 2-Hole
△5	Ground Connection	Ground Bus Bar	3/8" Clearance Hole. 1.75" Center to Center Spacing	Consult NEC NFPA 70 Article 250	Consult NEC NFPA 70 Article 250	Burndy YA-L Series or YAV Series for 2-Hole

3 Breaker Bypass Cabinet								
Circuit Breaker Summary								
Bypass Breaker								
UPS kVA	Mfg.	Breaker Size	Frame Size	Trip Setting	P/N	Breaker AIC	Wire Range	
50	Square-D	J-Frame	250A	200A	JDF36200	25k	(1) 3/0 AWG-350kcmil	
60				225A	JDF36225			
70		L-Frame		400A	275A			LDF36400U31X
80					300A			
Subfeed (SF) Breaker								
50	Square-D	J-Frame	250A	200A	JDF36200	25k	(1) 3/0 AWG-350kcmil	
60		J-Frame		225A	JDF36225			
70				250A	25k			
80								
Load Center Breaker								
50	Square-D	QOB Breakers		10-125A 1, 2, or 3 pole	Varies depending on size	10k	Varies depending on size	
60								
70								
80								

REVISIONS	DIM. IN: INCHES	SCALE: NTS	DRAFTER: G. JOHNSTON	DATE:	MITSUBISHI ELECTRIC POWER PRODUCTS, INC. WARRENDALE, PA.		
	PROPRIETARY THIS DOCUMENT IS PROPERTY OF MITSUBISHI ELECTRIC POWER PRODUCTS INC. AND CONTAINS PROPRIETARY AND CONFIDENTIAL INFORMATION WHICH MUST NOT BE DUPLICATED, USED OR DISCLOSED OTHER THAN AS EXPRESSLY AUTHORIZED BY MITSUBISHI ELECTRIC POWER PRODUCTS INC.					CHECKED:	DATE:
	REF. DWG. No.	APPROVED:	DATE:	TITLE: 1100B BYPASS CABINET SINGLE LINE SCHEMATIC			
	FILE LOCATION:			DWG. No. UD-100187S			
				SHEET 8 OF 8 REV: 6			