

MITSUBISHI 9900CX 2100kVA UPS DIRECT CABLE CONFIGURATION

CUSTOMER -

PROJECT NUMBER -

PROJECT LOCATION -

TABLE OF CONTENTS

SHEET NO.	TITLE
01	COVER SHEET
02	OUTLINE
03	BUS CONNECTIONS
04	SYSTEM CONFIGURATION
05	SINGLE LINE
06	SINGLE LINE
07	
08	
09	
10	
11	
12	
13	
14	
15	

REVISIONS	0. INITIAL RELEASE GDJ 11/16/16
1. RELEASED FOR CONSTRUCTION AJK 6/22/17	
2. NOTE 7 ADDED ZMZ 09/09/17	
3. HEAT REJECTION VALUE CHANGED ZMZ 02/02/18	
4. ADDED COVER SHEET AND SHEET 3 ZMZ 10/08/18	
5. UPDATED PER ECN 861 ZMZ 10/15/2018	
6. UPDATED PER ECN 965 M.OFFI 11/30/2018	
7. ADJUSTED DIMENSIONS ACCURACY. UPDATED PER ECN 1394 Z.ZAJAC 7/15/2019	

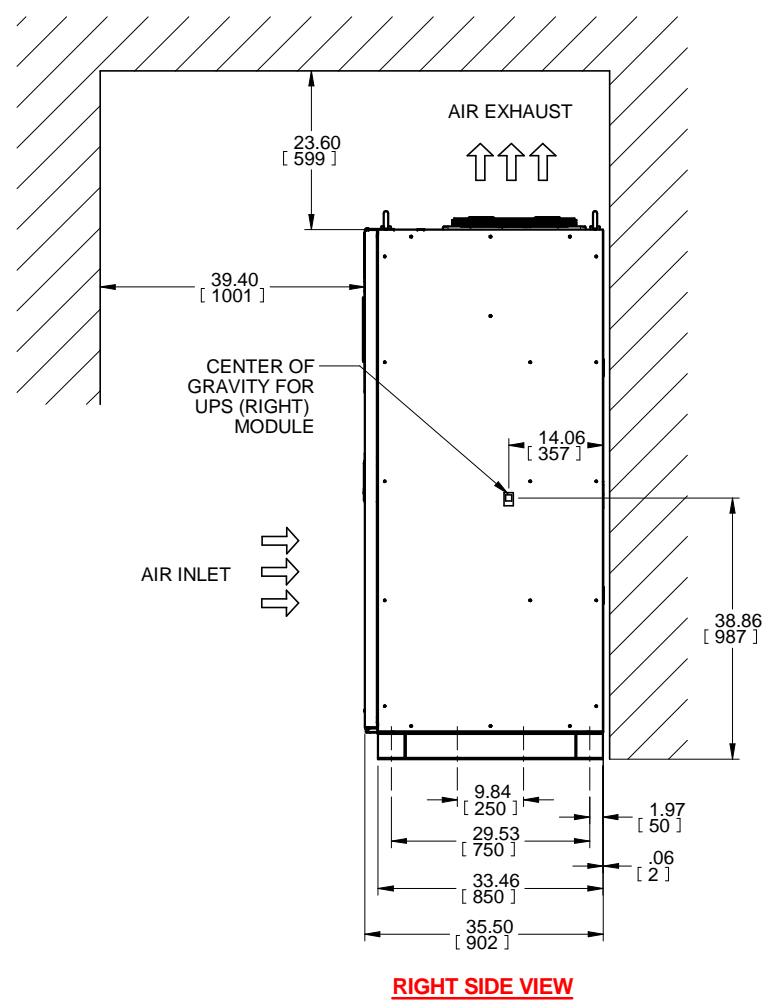
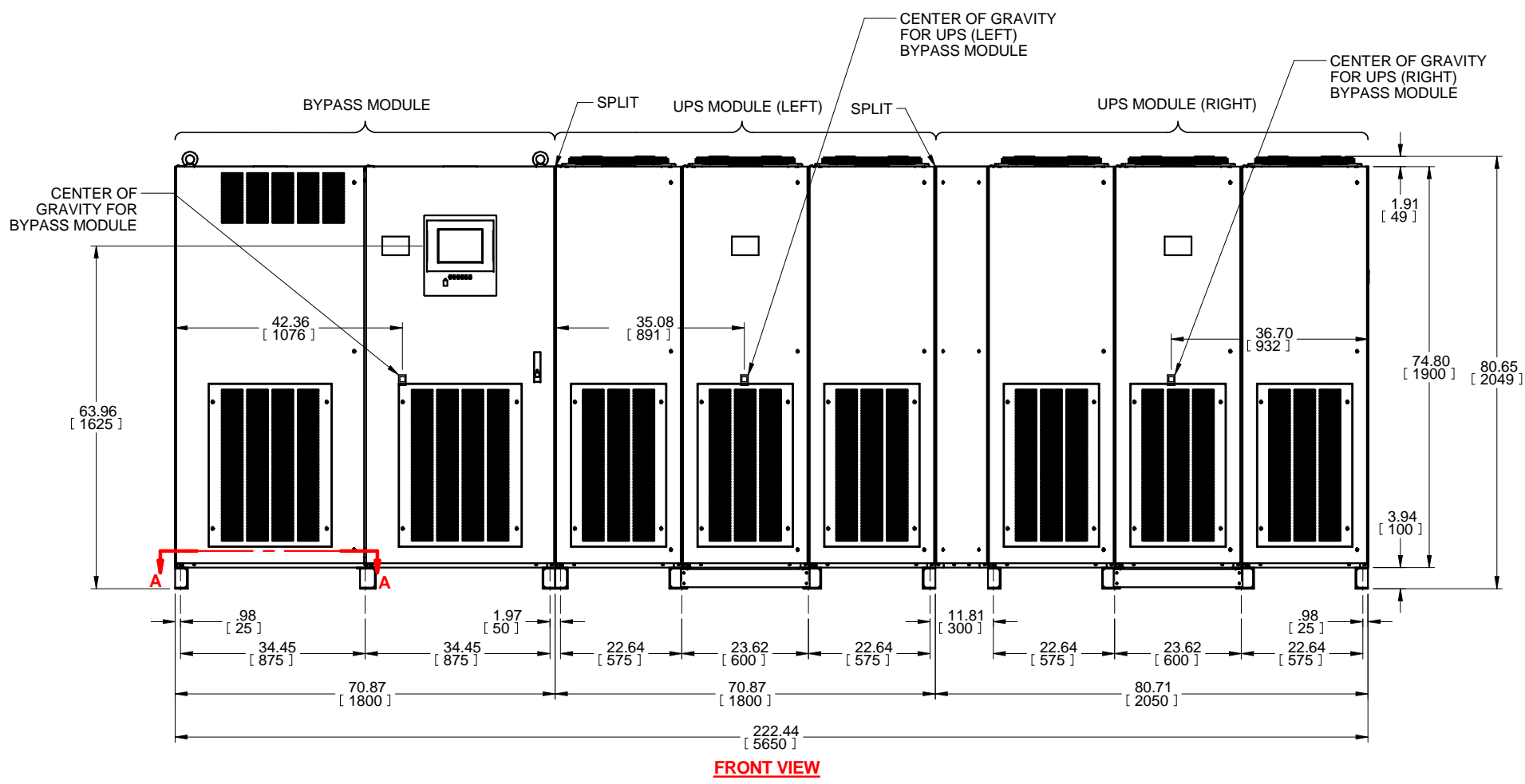
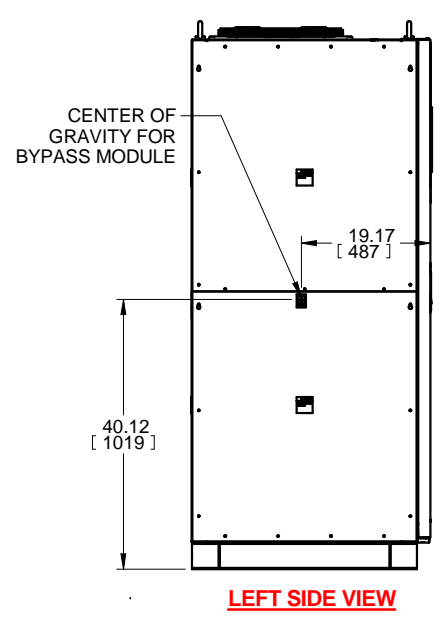
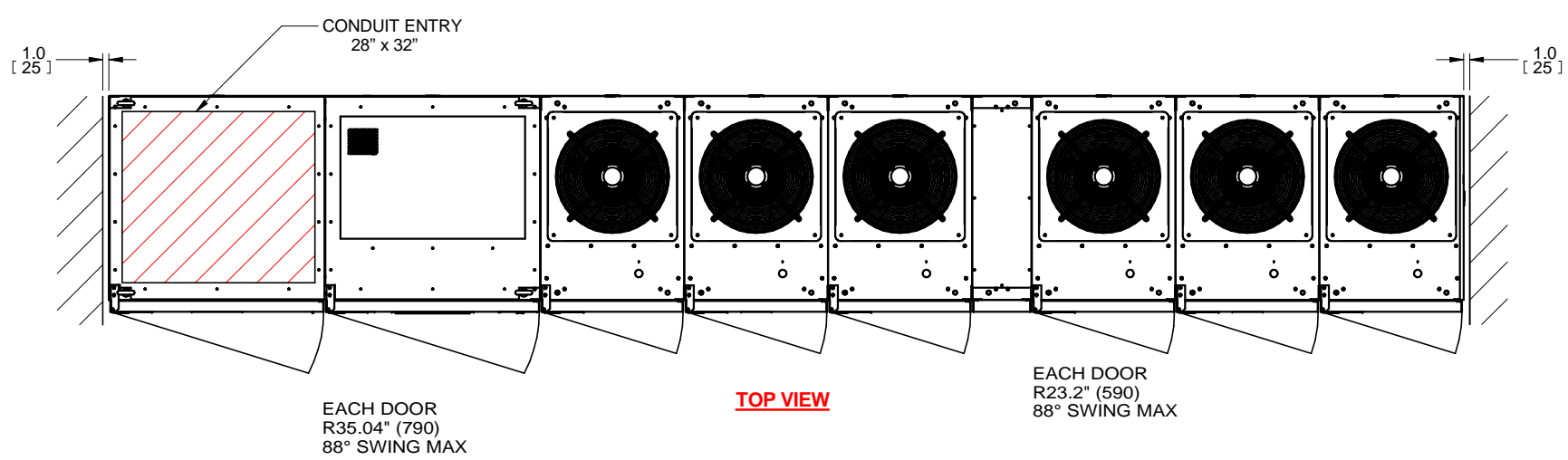
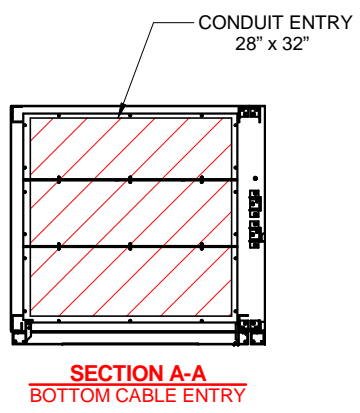
DIMENSIONS IN: IN [MM] (REF)	SCALE - NTS -	DRAFTER G. JOHNSTON	DATE 11/3/16	MITSUBISHI ELECTRIC
PROPRIETARY <small>This document is the property of Mitsubishi Electric Power Products, Inc. and contains proprietary and confidential information which must not be duplicated, used or disclosed other than as expressly authorized by Mitsubishi Electric Power Products, Inc.</small>		APPROVED N. RIEMER	DATE 11/3/16	
CORE/REFERENCE DRAWING (IF APPLICABLE)		TITLE OUTLINE 9900CX 2100KVA		DWG. NO. UD-100574
SHEET 1 OF 6			REV. 7	

TYPE: 9900CX
 RATING: 2100KVA-3P3W-480V-60Hz
 HEAT REJECTION: 236.6 kBTUs/hour (TYPICAL)

NOTES:

1. DIMENSIONS ARE SHOWN IN INCHES" [MILLIMETERS].
2. SIDE SPACE 1" [25] IS NOT REQUIRED WHEN SIDECARS ARE USED.
3. CABINET SHOULD BE MAINTAINED UPRIGHT WITHIN +/- 15° DURING HANDLING.
4. EACH BASE CHANNEL HAS 2 or 4 x 0.8" [20] DIAMETER HOLES TO FIX UPS ON THE GROUND.
5. LIFTING EYES OPTIONAL.
6. APPROXIMATE WEIGHT.

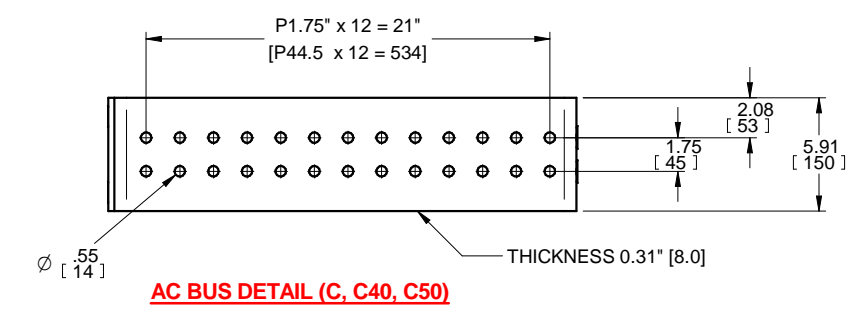
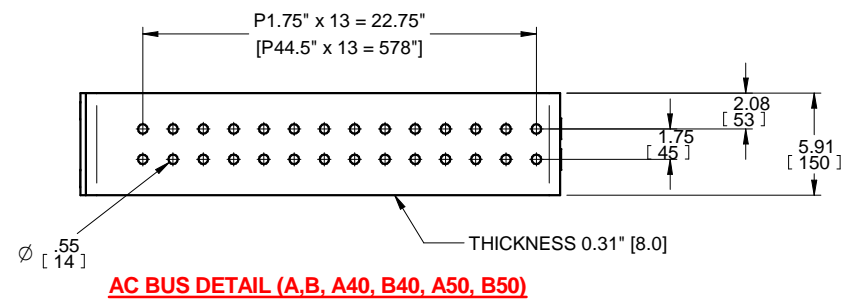
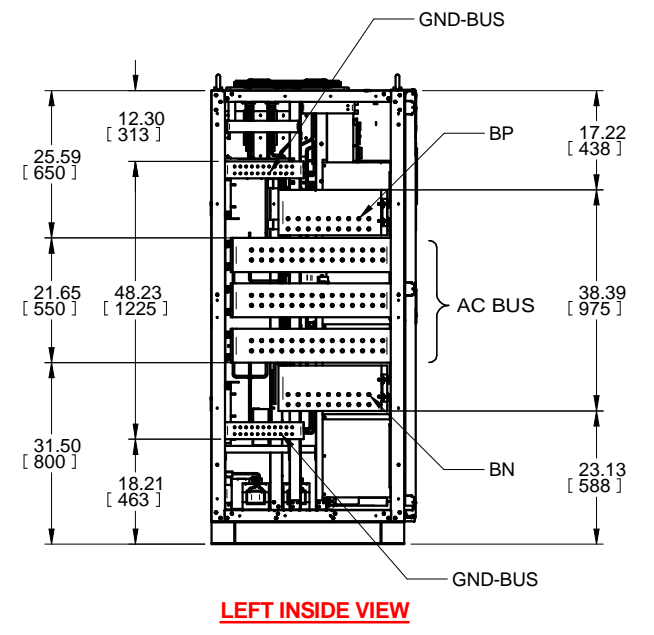
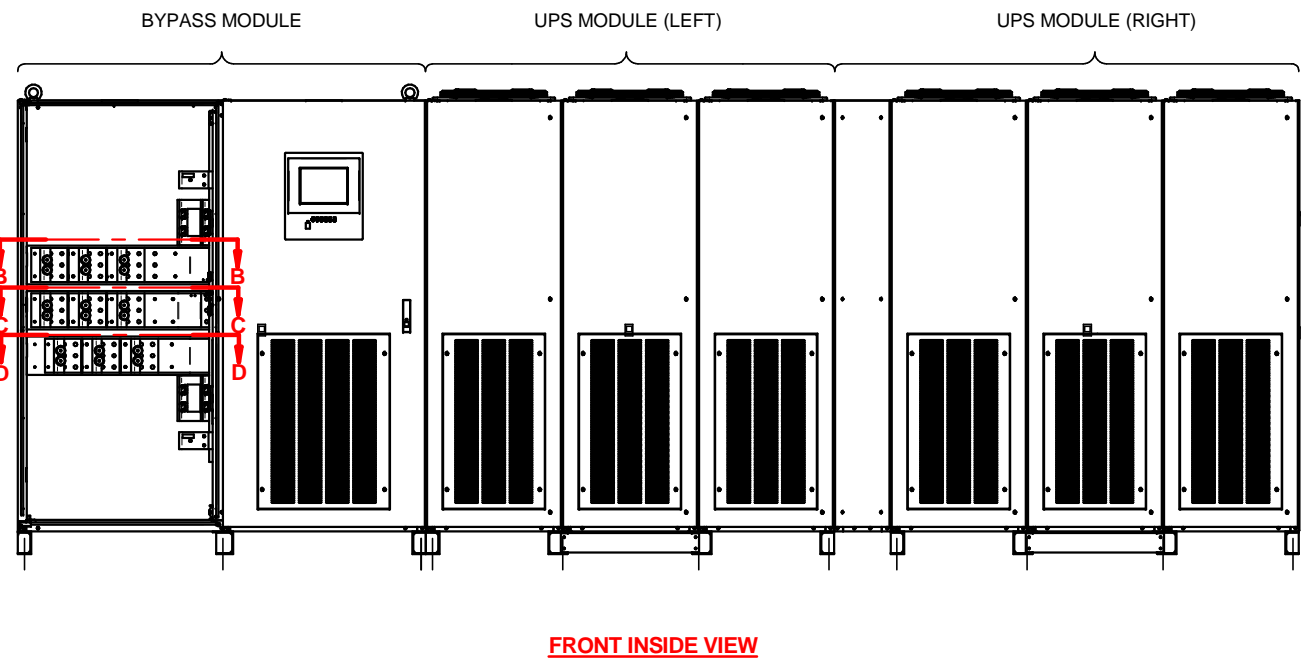
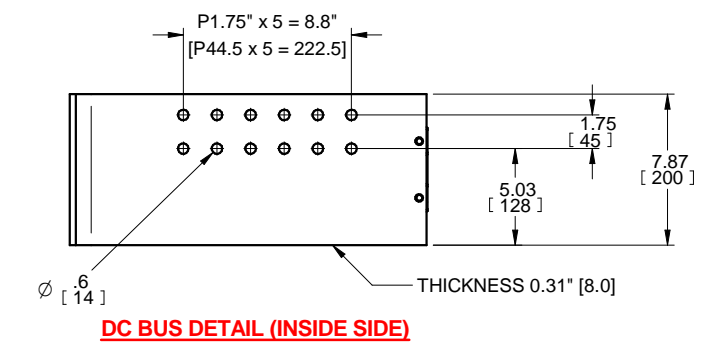
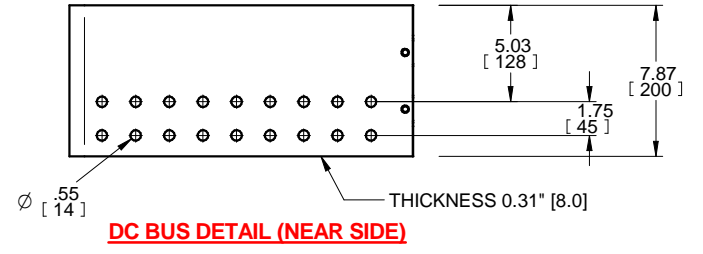
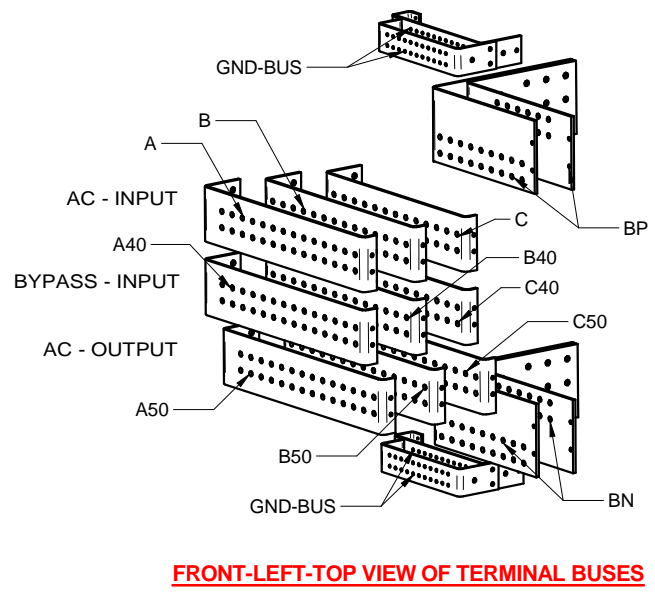
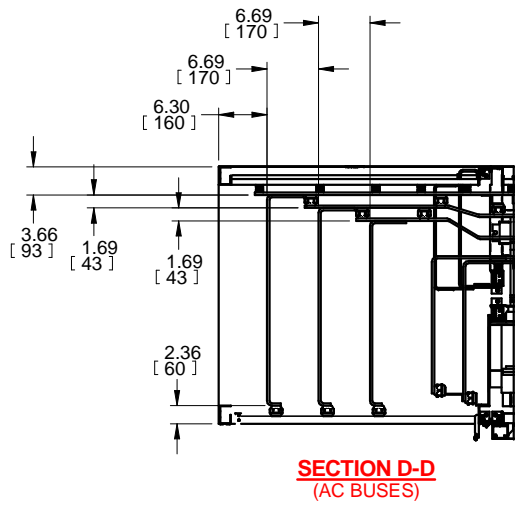
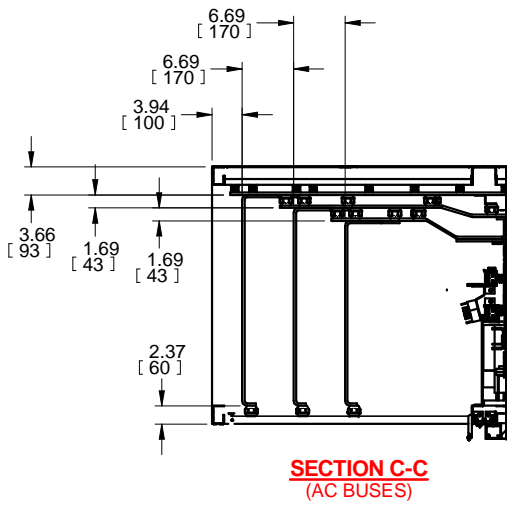
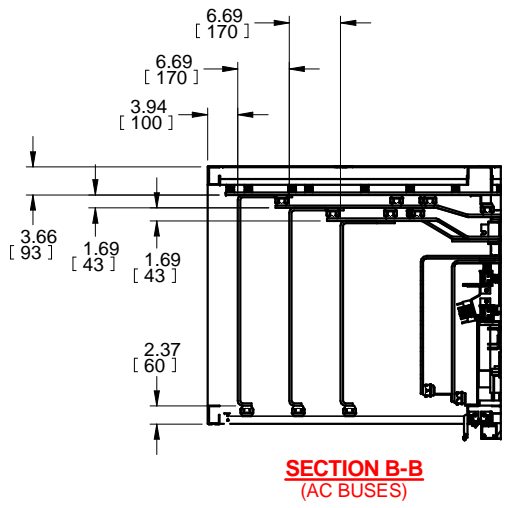
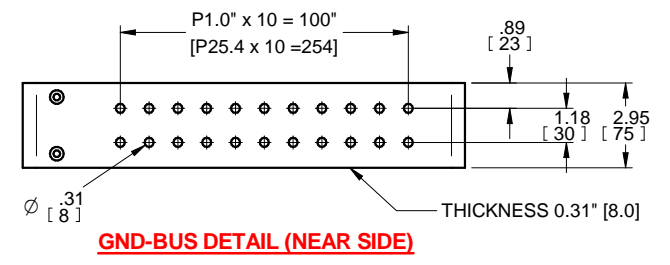
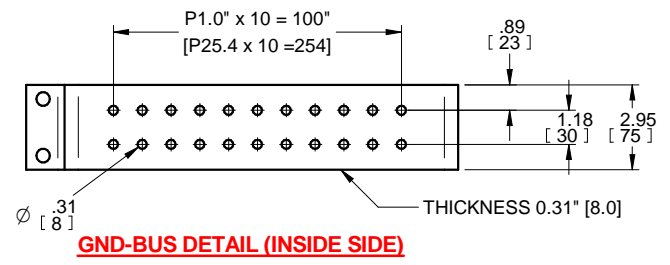
UPS MODULE (LEFT) 5,280LBS (2,400kg)
 UPS MODULE (RIGHT) 5,390LBS (2,450kg)
 BYPASS MODULE 2,860LBS (1,300kg)
 7. FLOOR SHALL BE FLAT AND LEVEL TO 0.3" SURROUNDING UPS MOUNTING.



REVISIONS	DATE	BY	DESCRIPTION
0. INITIAL RELEASE	GDJ 11/16/16		
1. RELEASED FOR CONSTRUCTION	AJK 6/22/17		
2. NOTE 7 ADDED	ZMZ 09/09/17		
3. HEAT REJECTION VALUE CHANGED	ZMZ 02/02/18		
4. ADDED COVER SHEET AND SHEET 3	ZMZ 10/08/18		
5. UPDATED PER ECN	861 ZMZ 10/15/2018		
6. UPDATED PER ECN	965 M.OFFI 11/30/2018		
7. ADJUSTED DIMENSIONS ACCURACY. UPDATED PER ECN 1394	Z.ZAJAC 7/15/2019		

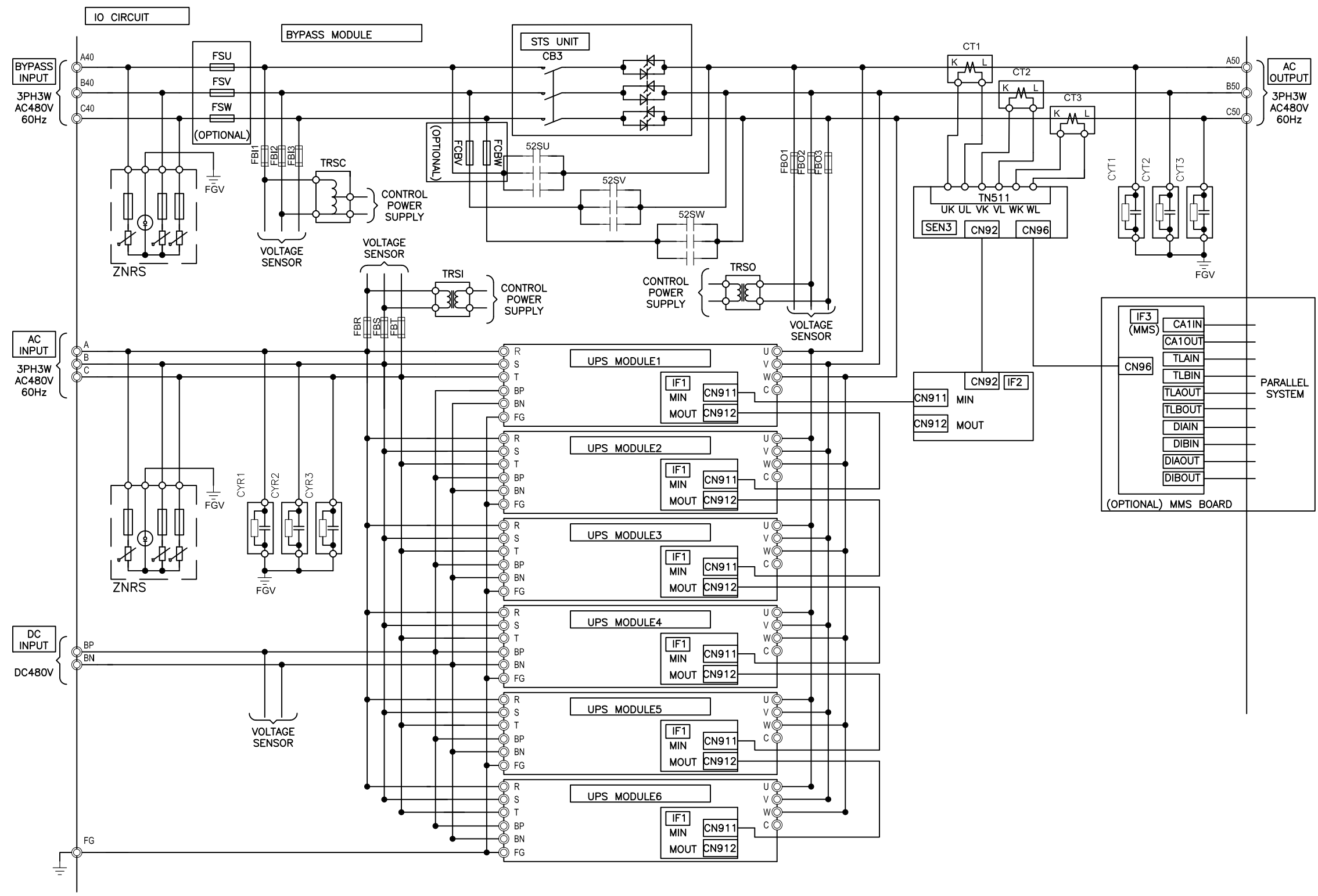
DIMENSIONS IN: IN [MM] (REF)	SCALE - NTS -	DRAFTER G. JOHNSTON	DATE 11/3/16	<p>MITSUBISHI ELECTRIC</p>
<small>PROPRIETARY</small> This document is the property of Mitsubishi Electric Power Products, Inc. and contains proprietary and confidential information which must not be duplicated, used or disclosed other than as expressly authorized by Mitsubishi Electric Power Products, Inc.		APPROVED N. RIEMER	DATE 11/3/16	
CORE/REFERENCE DRAWING (IF APPLICABLE)		TITLE 9900CX 2100KVA		DWG. NO. UD-100574 SHEET 2 OF 6 REV. 7

NOTES:
 6. EXTERNAL WIRES OR CABLES SHALL BE PROVIDED BY CUSTOMERS FOR AC-INPUT, DC-INPUT, BYPASS-INPUT, AND AC-OUTPUT. (OUT OF PROVISION)



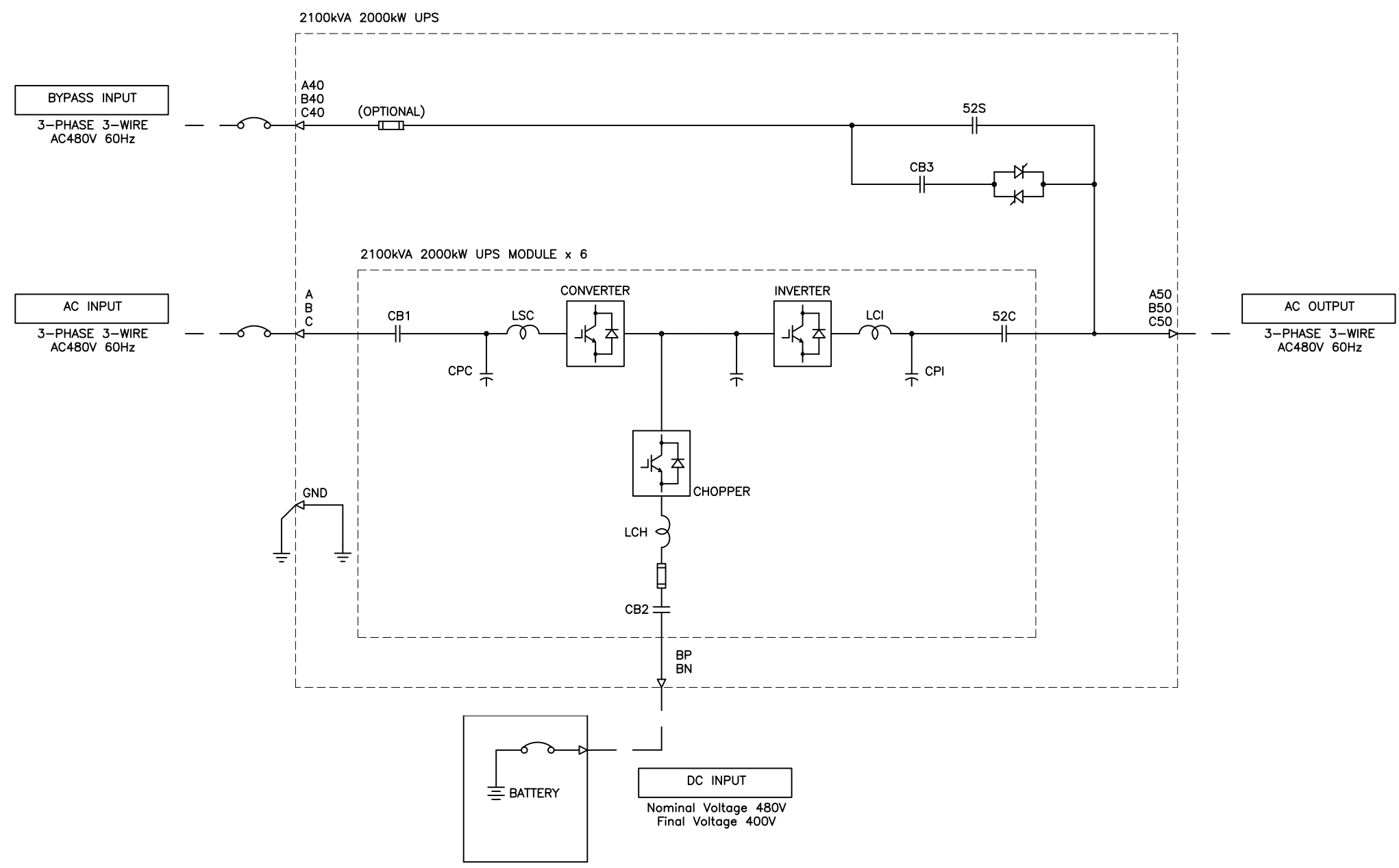
REVISIONS	0. INITIAL RELEASE GDJ 11/16/16
1. RELEASED FOR CONSTRUCTION AJK 6/22/17	
2. NOTE 7 ADDED ZMZ 09/09/17	
3. HEAT REJECTION VALUE CHANGED ZMZ 02/02/18	
4. ADDED COVER SHEET AND SHEET 3 ZMZ 10/08/18	
5. UPDATED PER ECN 861 ZMZ 10/15/2018	
6. UPDATED PER ECN 965 M.OFFI 11/30/2018	
7. ADJUSTED DIMENSIONS ACCURACY. UPDATED PER ECN 1394 Z.ZAJAC 7/15/2019	

DIMENSIONS IN: IN [MM] (REF)	SCALE - NTS -	DRAFTER G. JOHNSTON	DATE 11/3/16	<p>MITSUBISHI ELECTRIC</p>
PROPRIETARY This document is the property of Mitsubishi Electric Power Products, Inc. and contains proprietary and confidential information which must not be duplicated, used or disclosed other than as expressly authorized by Mitsubishi Electric Power Products, Inc.		APPROVED N. RIEMER	DATE 11/3/16	
CORE/REFERENCE DRAWING (IF APPLICABLE)		TITLE OUTLINE 9900CX 2100KVA		DWG. NO. UD-100574
		SHEET 3 OF 6 REV. 7		



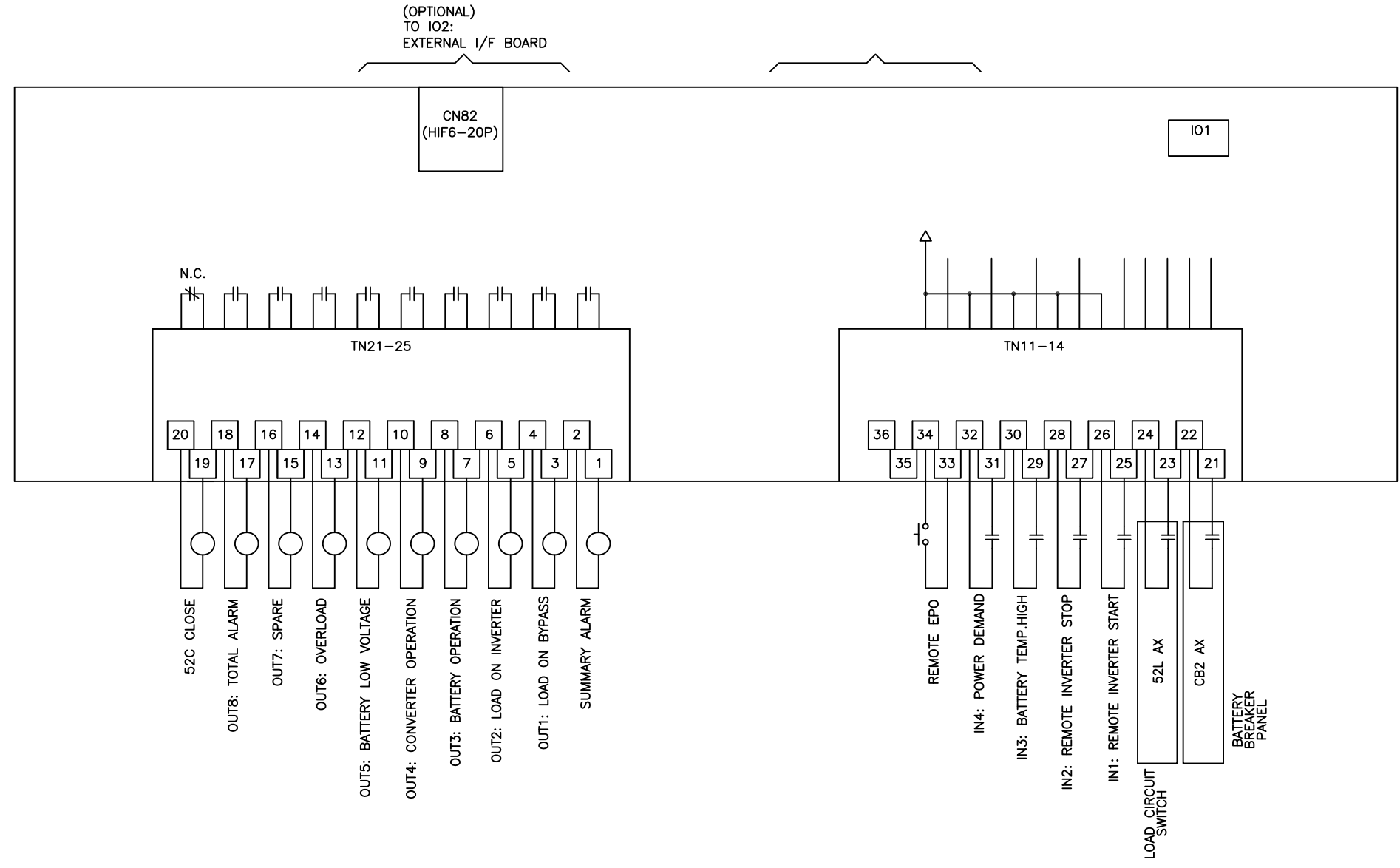
REVISIONS	DATE	DESCRIPTION
0	INITIAL RELEASE	
1	RELEASED FOR CONSTRUCTION	
2	NOTE 7 ADDED	
3	HEAT REJECTION VALUE CHANGED	
4	ADDED COVER SHEET AND SHEET 3	
5	UPDATED PER ECN 861	
6	UPDATED PER ECN 965	
7	ADJUSTED DIMENSIONS FOR ACCURACY	

DIMENSIONS IN: IN (MM)	SCALE: - NTS -	DRAFTER: G.JOHNSTON	DATE: 11/03/2016	<p>MITSUBISHI ELECTRIC</p>
<small>PROPRIETARY</small> <small>This document is the property of Mitsubishi Electric Power Products, Inc. and contains proprietary and confidential information which must not be disclosed, used or disclosed other than as expressly authorized by Mitsubishi Electric Power Products, Inc.</small>		APPROVED: M.BALMER	DATE: 11/03/2016	
				<p>TITLE: SYSTEM CONFIGURATION 9900CX 2100 KVA</p> <p>DWG. NO. UD-100574 SHEET 4 OF 6 REV. 7</p>



REVISIONS	DATE	DESCRIPTION
0	INITIAL RELEASE	GDJ 11/16/16
1	RELEASED FOR CONSTRUCTION	AJK 6/22/2017
2	NOTE 7 ADDED	ZMZ 9/19/2017
3	HEAT REJECTION VALUE CHANGED	ZMZ 2/2/2018
4	ADDED COVER SHEET AND SHEET 3	ZMZ 10/8/2018
5	UPDATED PER ECN 861	ZMZ 10/15/2018
6	UPDATED PER ECN 965	M.OFFI 10/15/2018
7	ADJUSTED DIMENSIONS FOR ACCURACY	UPDATED PER ECN 1394
		Z.ZAJAC 7/15/2019

DIMENSIONS IN: IN (MM)	SCALE: - NTS -	DRAFTER: G. JOHNSTON	DATE: 11/03/2016	<p>MITSUBISHI ELECTRIC</p>
<small>PROPRIETARY</small> <small>This document is the property of Mitsubishi Electric Power Products, Inc. and contains proprietary and confidential information which must not be disclosed, used or disclosed other than as expressly authorized by Mitsubishi Electric Power Products, Inc.</small>		APPROVED: M. BALMER	DATE: 11/03/2016	
CORE [REFERENCE] DRAWING				<p>TITLE: SYSTEM CONFIGURATION</p> <p>9900CX 2100 KVA</p> <p>DWG. NO. UD-100574</p> <p>SHEET 5 OF 6</p>
				REV. 7



REVISIONS
0 INITIAL RELEASE GDJ 11/16/16
1.RELEASED FOR CONSTRUCTION AJK 6/22/2017
2. NOTE 7 ADDED. ZMZ 9/19/2017
2. HEAT REJECTION VALUE CHANGED ZMZ 2/2/2018
4. ADDED COVER SHEET AND SHEET 3 ZMZ 10/8/2018
5. UPDATED PER ECN 861 ZMZ 10/15/2018
6. UPDATED PER ECN 965 M.OFFI 10/15/2018
7. ADJUSTED DIMENSIONS FOR ACCURACY; UPDATED PER ECN 1394 Z.ZAJAC 7/15/2019

DIMENSIONS IN: IN [MM]	SCALE - NTS -	DRAFTER S.JOHNSTON	DATE 11/03/2016	<p>MITSUBISHI ELECTRIC</p>
<small>PROPRIETARY</small> <small>This document is the property of Mitsubishi Electric Power Products, Inc. and contains proprietary and confidential information which must not be disclosed, used or disclosed other than as expressly authorized by Mitsubishi Electric Power Products, Inc.</small>		APPROVED M.BALMER	DATE 11/03/2016	
		<p>TITLE SYSTEM CONFIGURATION 9900CX 2100 KVA</p>		
CORE [REFERENCE] DRAWING		DWG. NO.	SHEET 6 OF 6	REV. 7
		UD-100574		