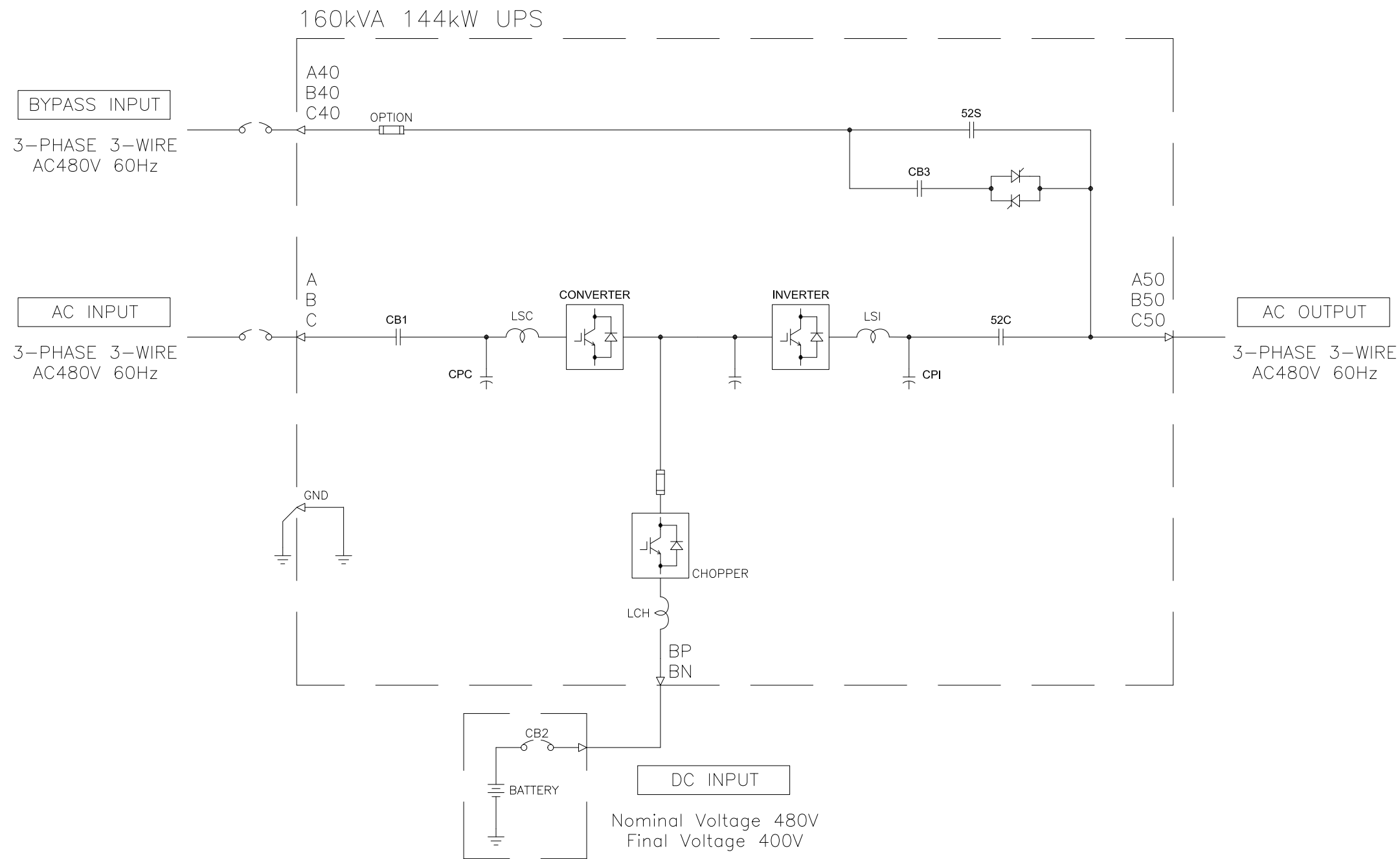


SYSTEM CONFIGURATION

REVISIONS 0. RELEASED Z.ZAJAC 7/10/17 1. ADJUSTED CENTER OF GRAVITY DIMENSION, UPDATED PER ECN 1114 Z.ZAJAC 7/10/17 2. ADDED HEAT REJECTION VALUES, UPDATED PER ECN 1428 Z.ZAJAC 8/7/19	DIMENSIONS IN: IN (MM) REF:	SCALE: - NTS -	DRAFTER: Z.Zajac DATE: 7/6/17	MITSUBISHI ELECTRIC TITLE: 9900 Aegis 80-160kVA DWG. NO. UD-100653 SHEET 2 OF 6 REV. 2	
	PROPRIETARY <small>This document is the property of Mitsubishi Electric Power Products, Inc. and contains proprietary and confidential information which must not be duplicated, used or disclosed other than as expressly authorized by Mitsubishi Electric Power Products, Inc.</small>				CHECKED: N.RIEMER DATE: 7/6/17
	QUALITY CONTROL VALIDATION STAMP:				ENGINEER: K.BEAMER DATE: 7/6/17
	APPROVED: N.RIEMER DATE: 7/6/17				TRIC:

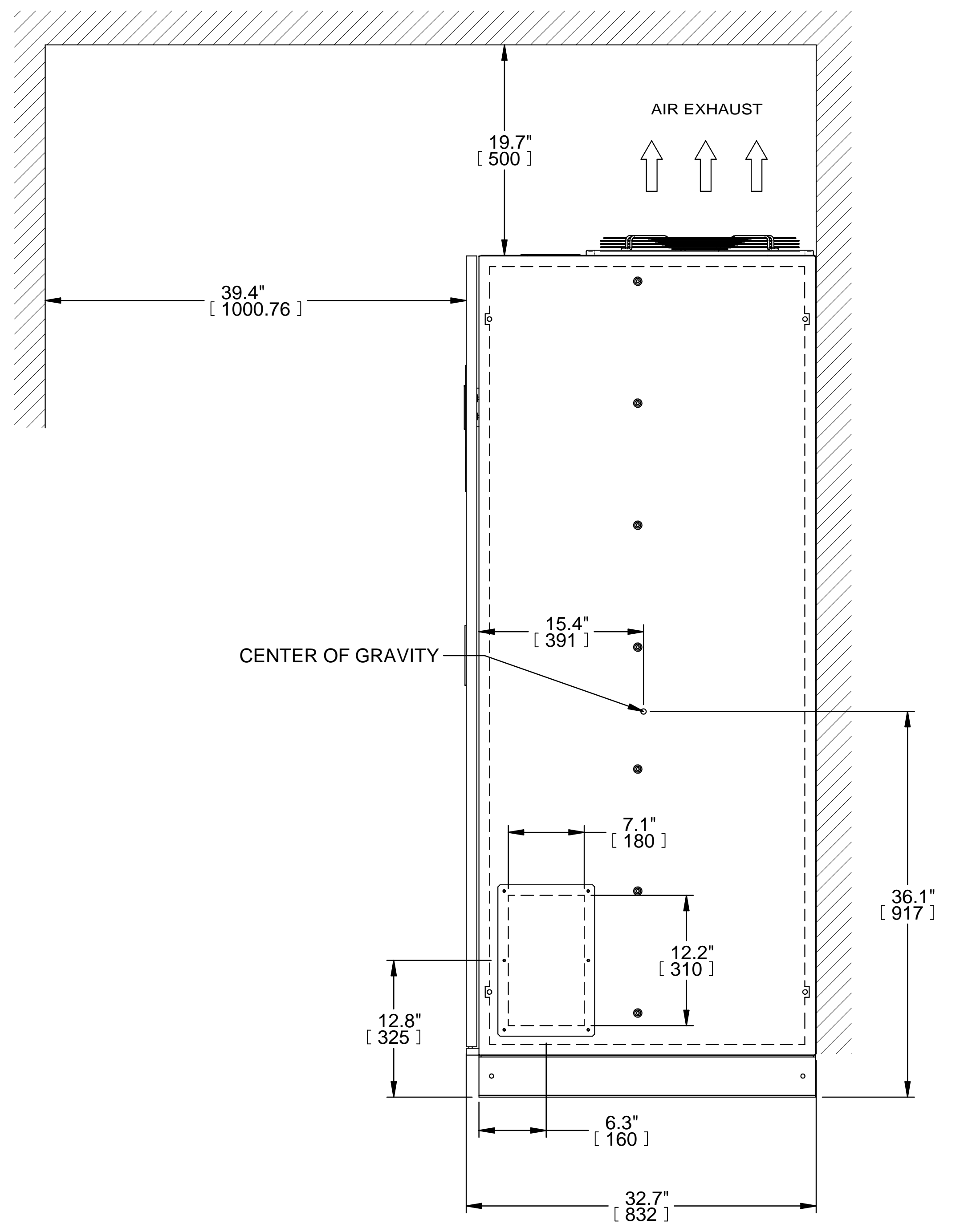
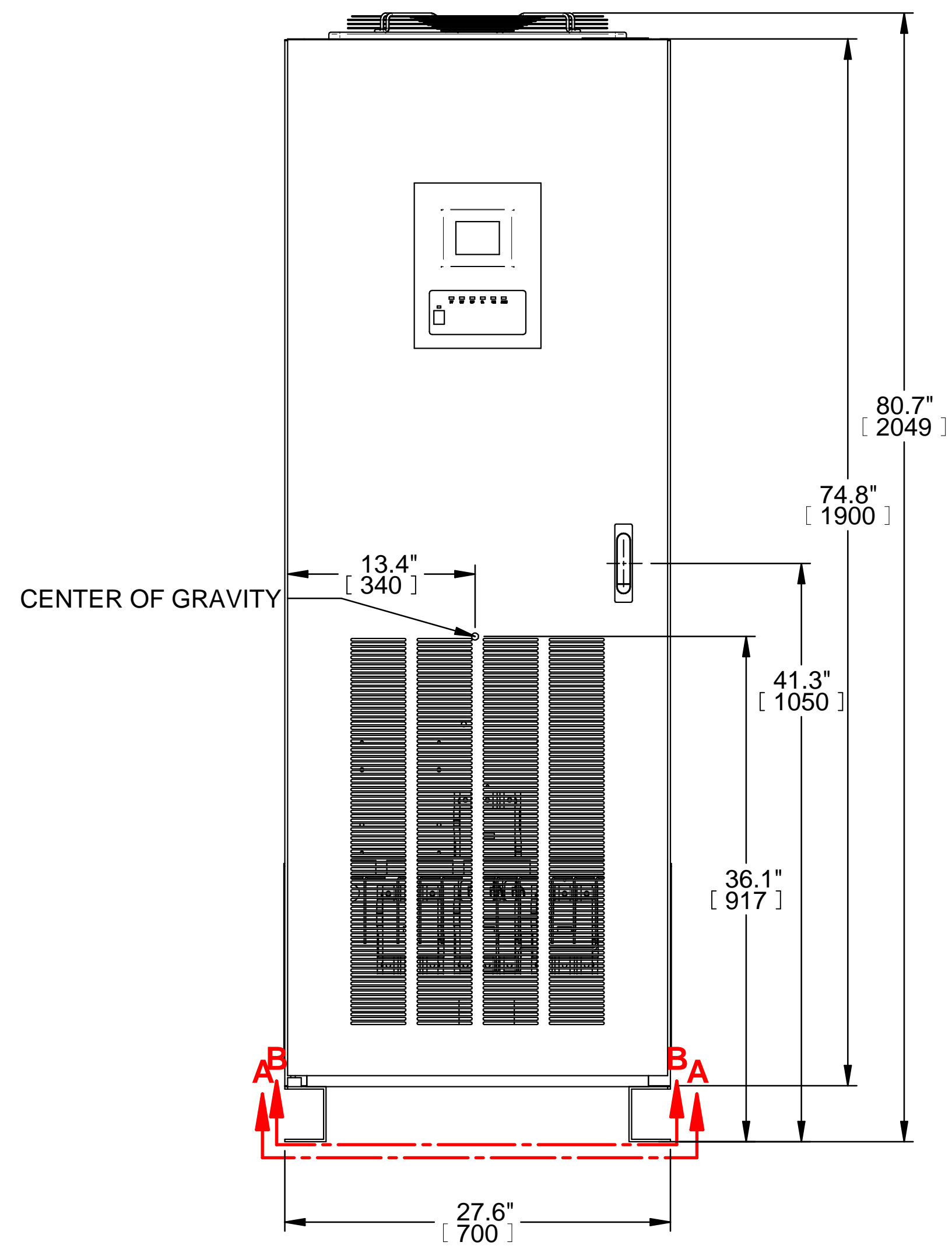
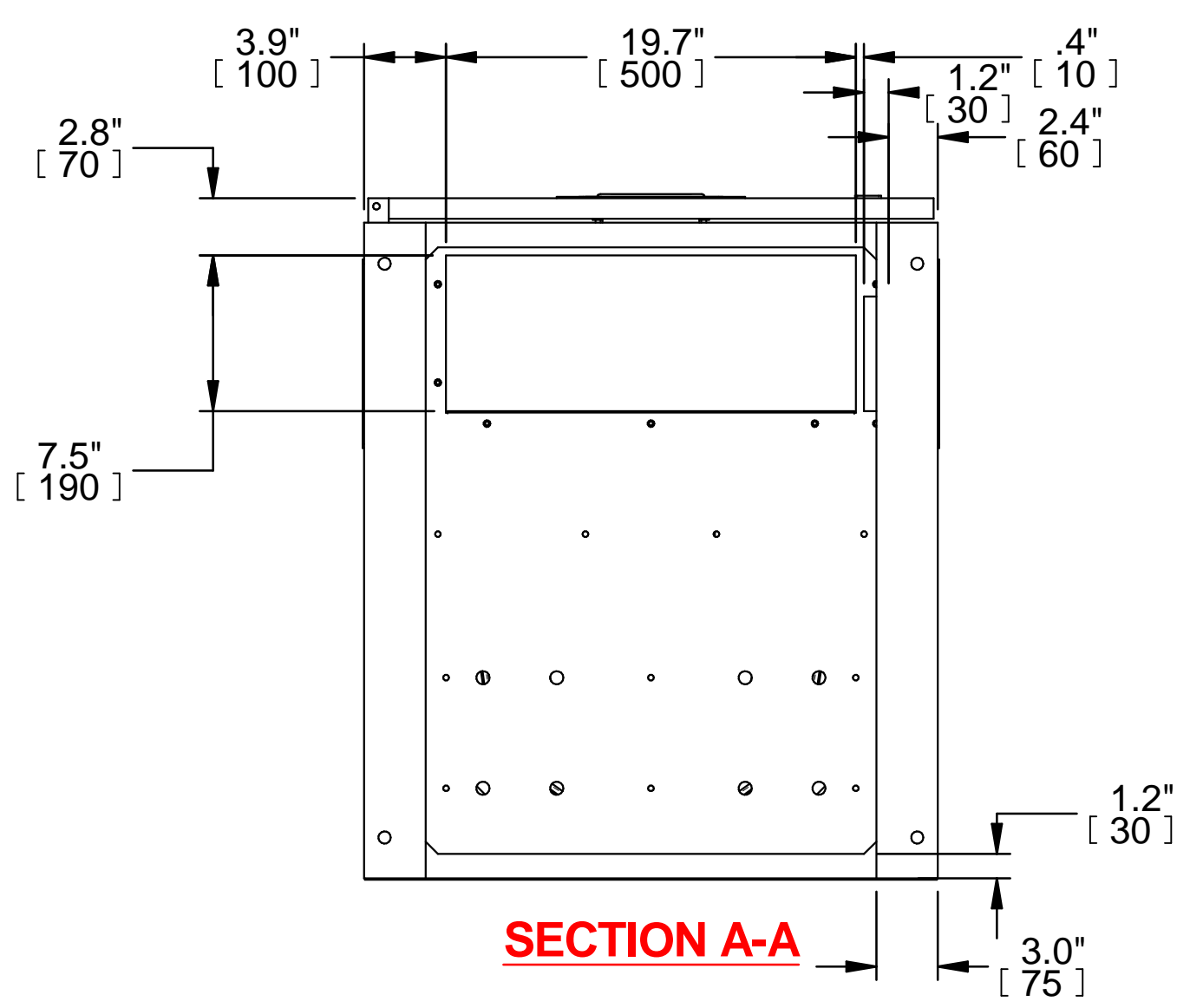
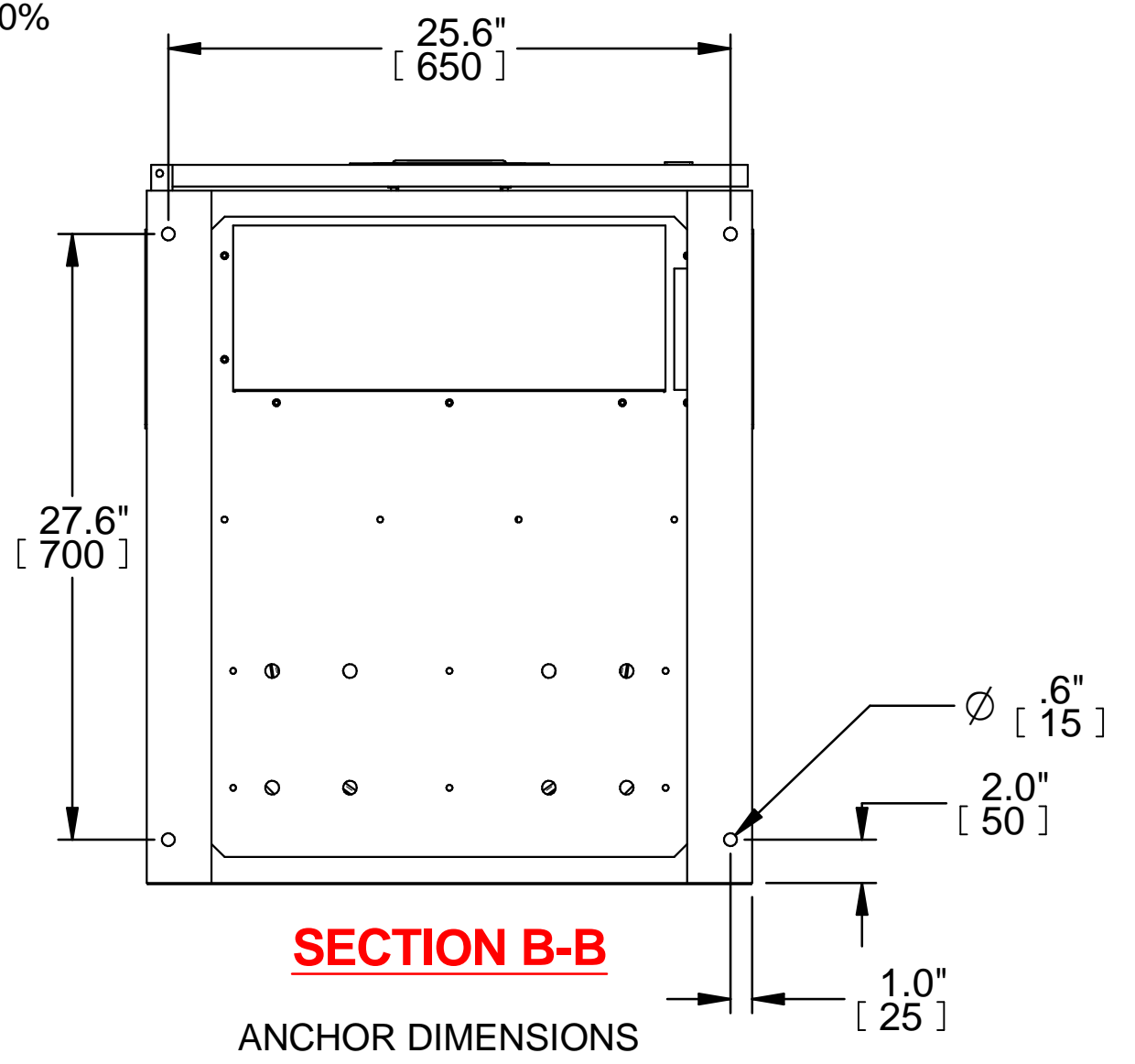
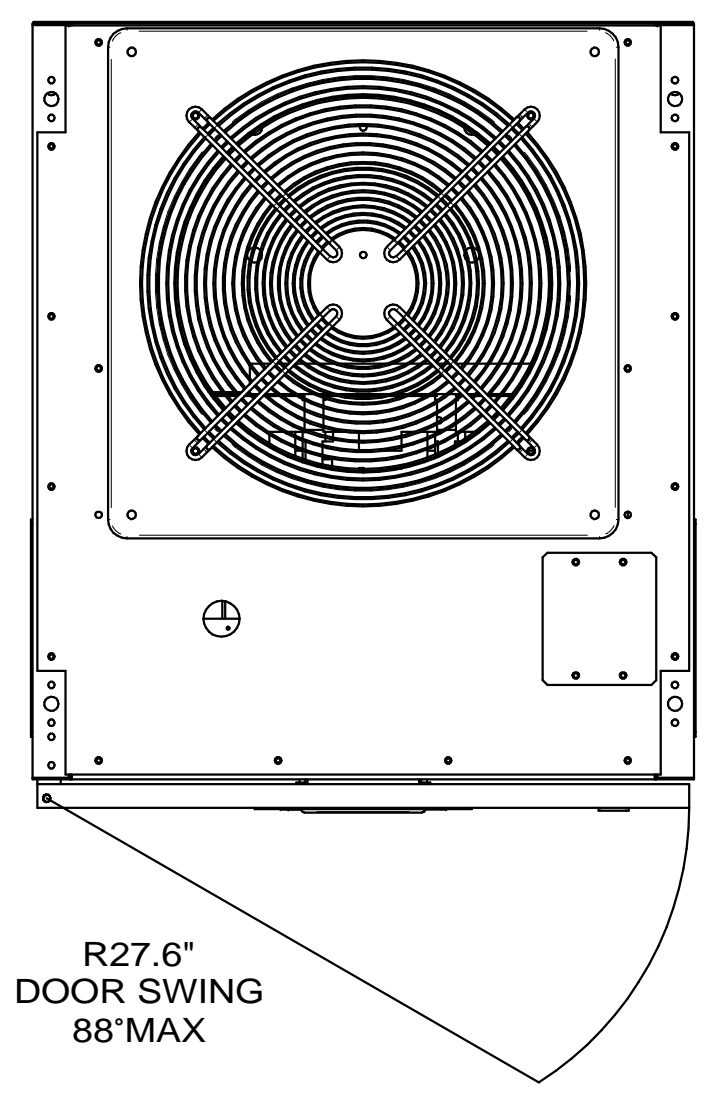


SINGLE LINE DIAGRAM

REVISIONS
0. RELEASED Z.ZAJAC 7/10/17
1. ADJUSTED CENTER OF GRAVITY DIMENSION, UPDATED PER ECN 1114 Z.ZAJAC 7/10/17
2. ADDED HEAT REJECTION VALUES, UPDATED PER ECN 1428 Z.ZAJAC 8/7/19

DIMENSIONS IN: IN (MM) REF	SCALE - NTS -	DRAFTER Z.Zajac	DATE 7/6/17	MITSUBISHI ELECTRIC
<small>PROPRIETARY This document is the property of Mitsubishi Electric Power Products, Inc. and contains proprietary and confidential information which must not be duplicated, used or disclosed other than as expressly authorized by Mitsubishi Electric Power Products, Inc.</small>				
QUALITY CONTROL VALIDATION STAMP		CHECKED N.RIEMER	DATE 7/6/17	
		ENGINEER K.BEAMER	DATE 7/6/17	
		APPROVED N.RIEMER	DATE 7/6/17	TITLE 9900 Aegis 80-160kVA
				DWG. NO. SHEET 3 OF 6 REV. UD-100653 2

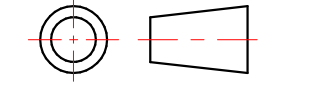
- NOTES:**
1. DIMENSIONS ARE SHOWN IN INCHES [MILLIMETERS]
 2. SIDE SPACE 1" IS NOT REQUIRED WHEN SIDE CARS ARE USED
 3. CABINET SHOULD BE MAINTAINED UPRIGHT WITHIN ±15°
 4. APPROXIMATE WEIGHTS:
 160 KVA: 860 LBS (390KG)
 150 KVA: 860 LBS (390KG)
 100 KVA: 771 LBS (350KG)
 80 KVA: 771 LBS (350KG)
 5. HEAT REJECTION VALUES:
 80 KVA - 5.7 KBTU/HR @ 50%
 6.9 KBTU/HR @ 75%
 8.6 KBTU/HR @ 100%
 100 KVA - 6.2 KBTU/HR @ 50%
 8.4 KBTU/HR @ 75%
 10.8 KBTU/HR @ 100%
 150 KVA - 8.8 KBTU/HR @ 50%
 12.5 KBTU/HR @ 75%
 16.7 KBTU/HR @ 100%
 160 KVA - 9.1 KBTU/HR @ 50%
 13.0 KBTU/HR @ 75%
 18.3 KBTU/HR @ 100%



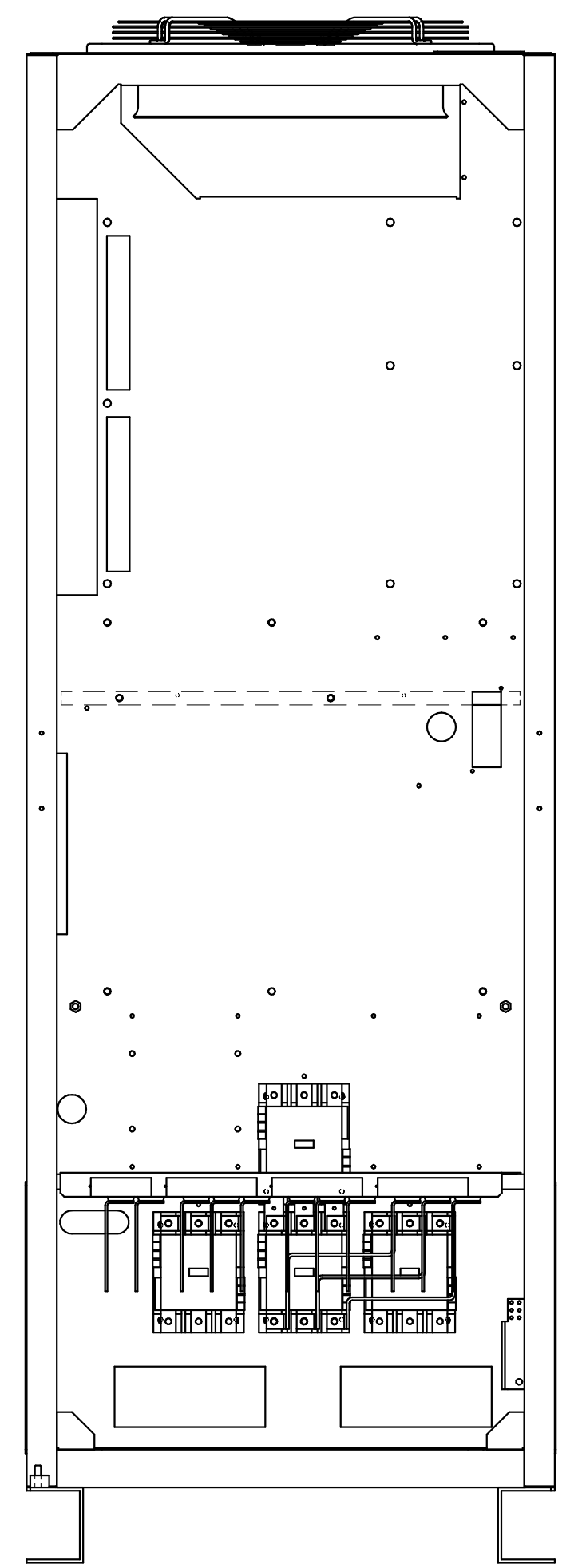
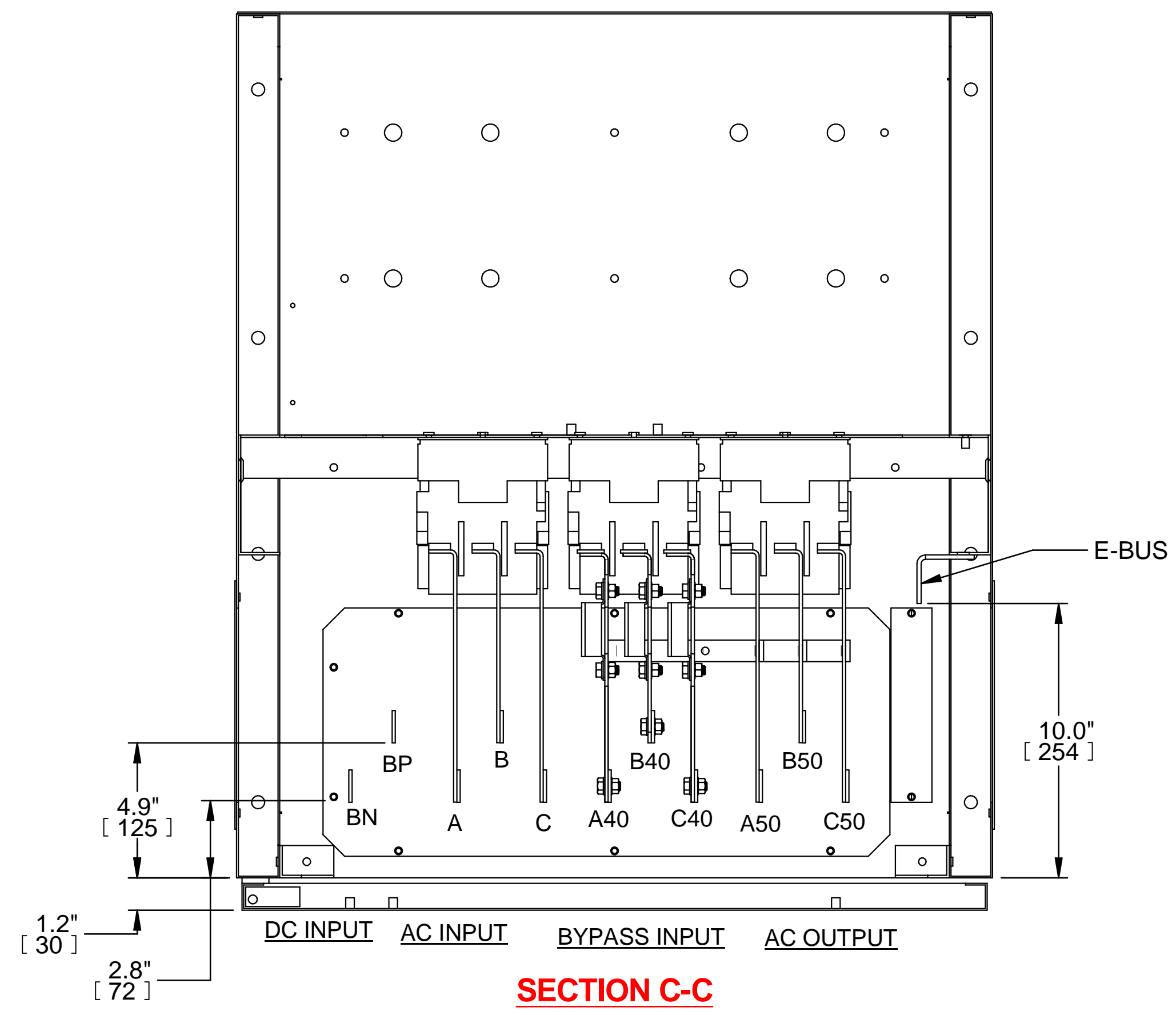
REVISIONS	DATE	BY	DESCRIPTION
0. RELEASED	7/10/2017	Z.ZAJAC	
1. ADJUSTED CENTER OF GRAVITY DIMENSION, UPDATED PER ECN 1114	3/20/2019	Z.ZAJAC	
2. ADDED HEAT REJECTION VALUES; UPDATED ECN PER 1428	8/7/2019	Z.ZAJAC	

FABRICATION TOLERANCE	DIMENSIONS IN:	SCALE	DRAFTER	DATE
NOMINAL SIZE	IN [MM]	-NTS-	Z.ZAJAC	7/5/17
ANGLES	±0.01°			
HOLE TO MATERIAL EDGE	±0.01			
HOLE TO FORMED EDGE	±0.01			
HOLE TO HOLE	±0.005			
FORMED EDGE TO FORMED EDGE	±0.01			
FORMED EDGE TO WELDED EDGE < 48.0	±0.03			
FORMED EDGE TO WELDED EDGE > 48.0	±0.06			
PANEL DISTORTION OVER 48.0in	0.03 MAX			

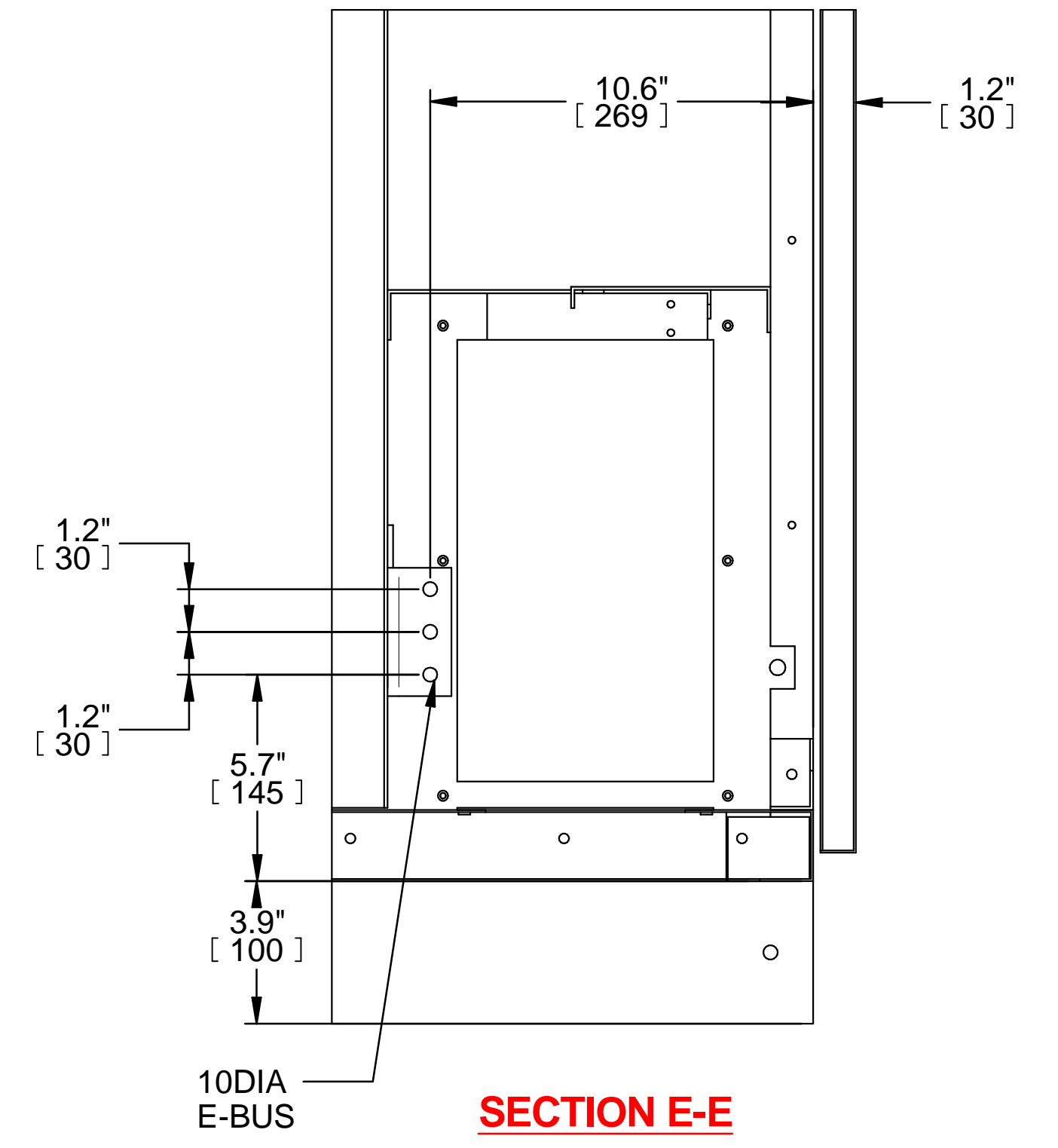
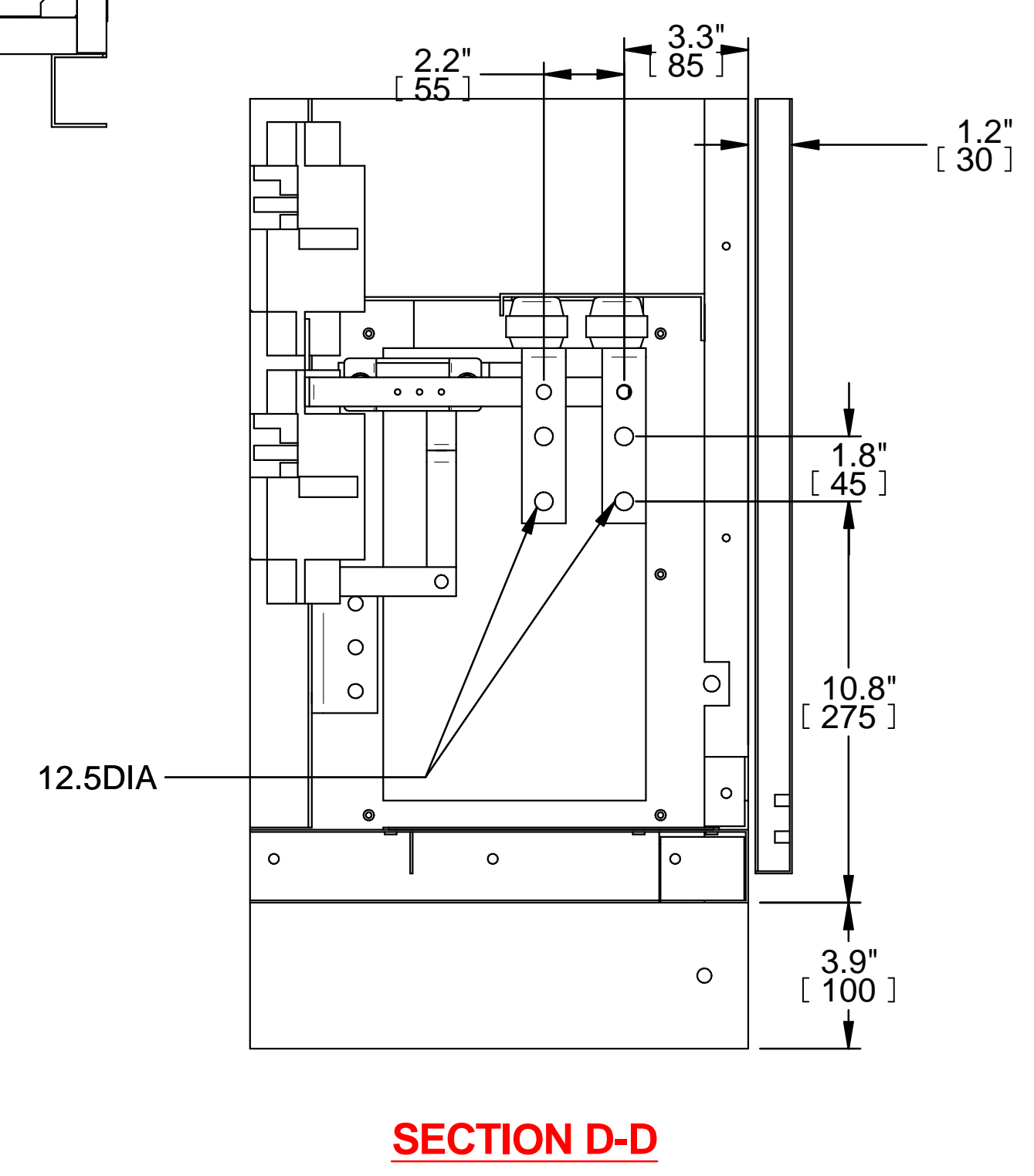
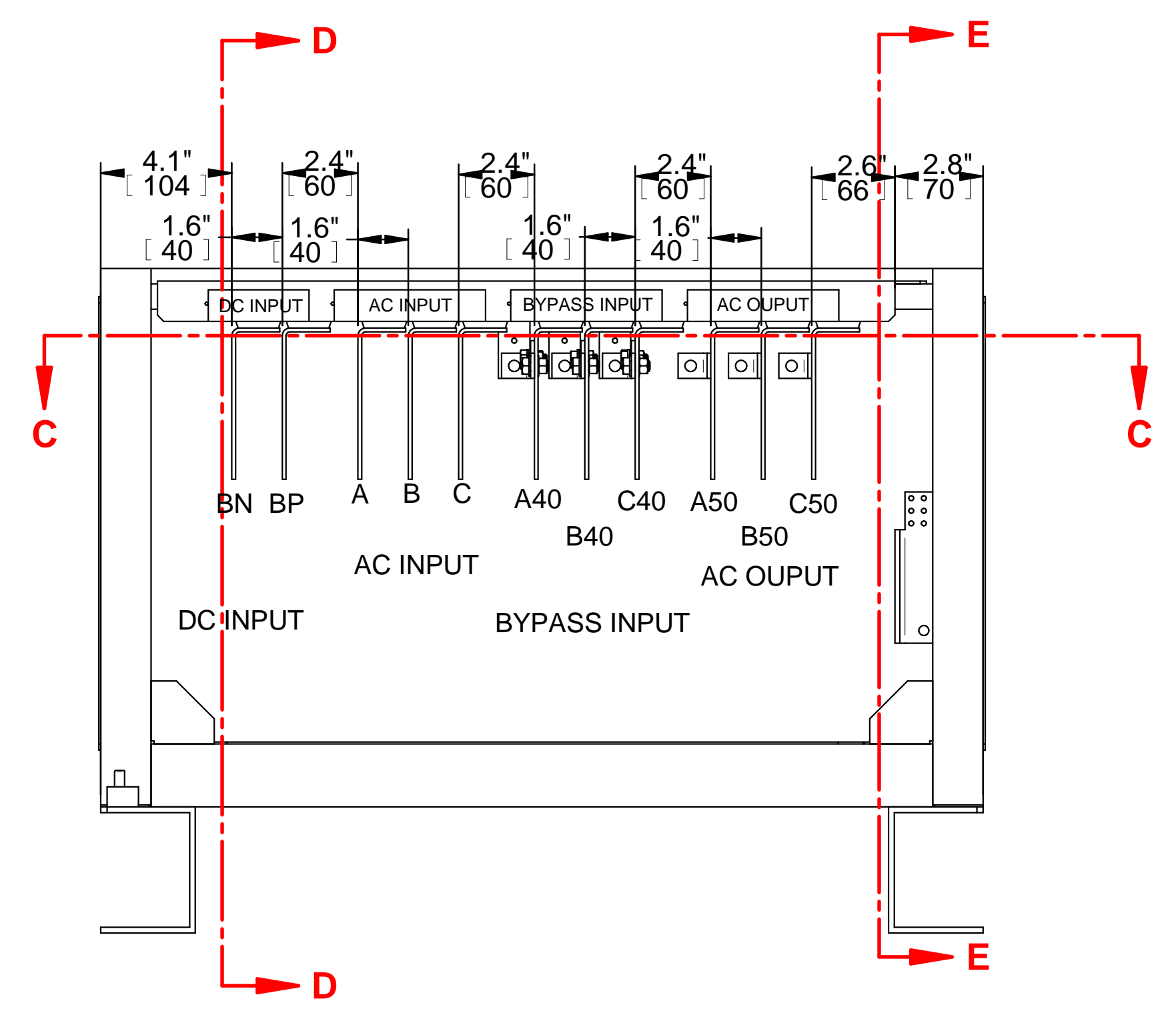
TITLE	DWG. NO.	SHEET 4 OF 6	REV.
9900 AEGIS 80-160KVA	UD-100653		2



CORE [REFERENCE] DRAWING if there is a core drawing insert that here

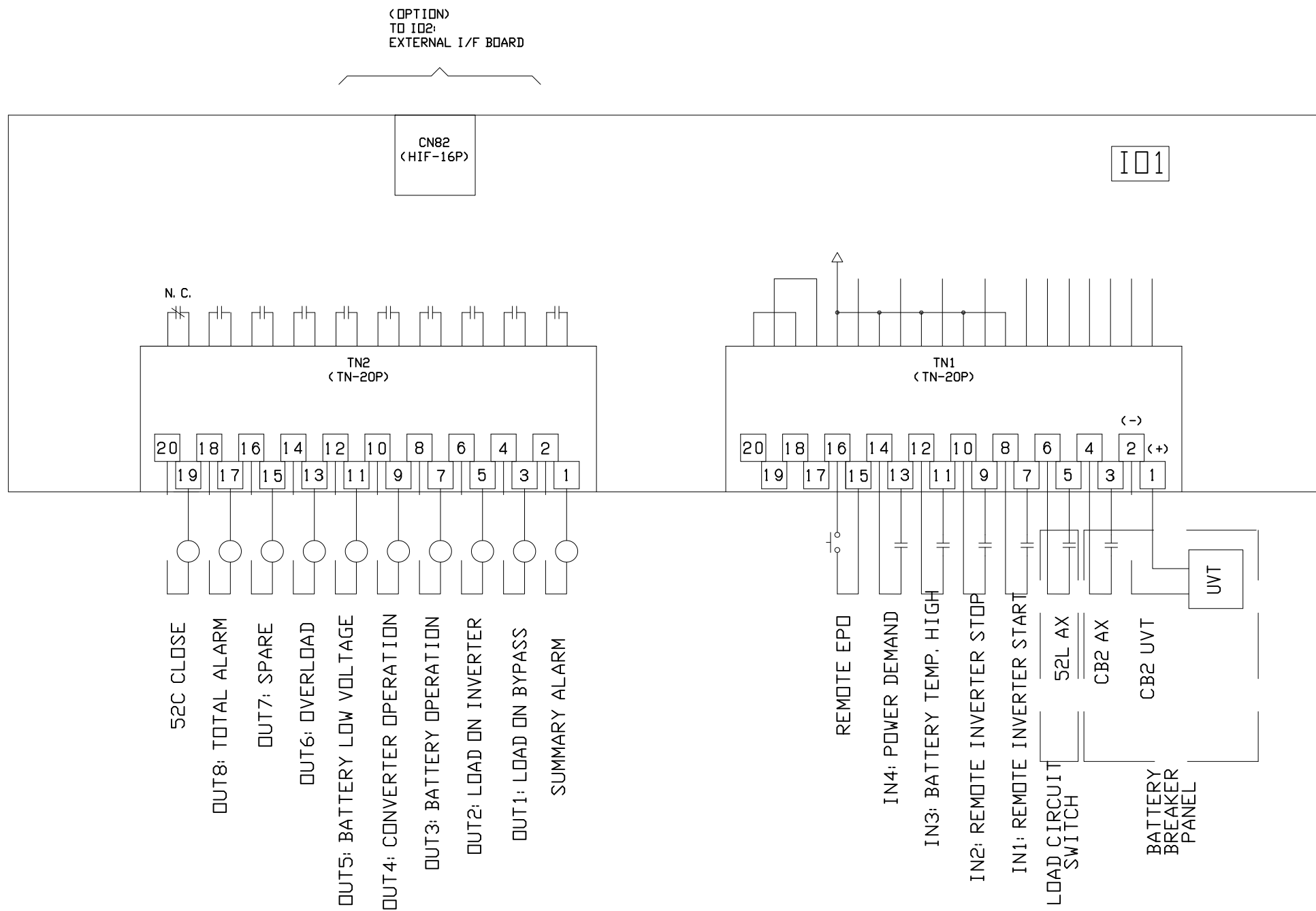


NOTES
 6. EXTERNAL WIRING MATERIALS FOR AC INPUT, DC INPUT, BYPASS INPUT, AND AC OUTPUT SHOULD BE SUPPLIED BY CUSTOMER (OUT OF SCOPE OF SUPPLY FROM MITSUBISHI).
 7. A,B,C, CLOCKWISE ROTATION



REVISIONS
0. RELEASED Z.ZAJAC 7/10/2017
1. ADJUSTED CENTER OF GRAVITY DIMENSION, UPDATED PER ECN 1114 Z.ZAJAC 3/20/2019
2. ADDED HEAT REJECTION VALUES; UPDATED ECN PER 1428 Z.ZAJAC 8/7/2019

FABRICATION TOLERANCE		DIMENSIONS IN:		SCALE	DRAFTER Z.ZAJAC	DATE 7/5/17	MITSUBISHI ELECTRIC
NOMINAL SIZE	TOLERANCE	IN	MM				
ANGLES	±0.01°	PROPRIETARY		This document is the property of Mitsubishi Electric Power Products, Inc. and contains proprietary and confidential information which must not be duplicated, used or disclosed other than as expressly authorized by Mitsubishi Electric Power Products, Inc.	APPROVED N.RIEMER	DATE 7/5/17	TITLE 9900 AEGIS 80-160KVA DWG. NO. UD-100653 SHEET 5 OF 6 REV. 2
HOLE TO MATERIAL EDGE	±0.01	CORE [REFERENCE] DRAWING if there is a core drawing insert that here					
HOLE TO FORMED EDGE	±0.01						
HOLE TO HOLE	±0.005						
FORMED EDGE TO FORMED EDGE	±0.01						
FORMED EDGE TO WELDED EDGE < 48.0	±0.03						
FORMED EDGE TO WELDED EDGE > 48.0	±0.06						
PANEL DISTORTION OVER 48.0in	0.03 MAX						



UPS CONNECTION DIAGRAM

REVISIONS

0. RELEASED	ZZAJAC	7/10/17	1. ADJUSTED CENTER OF GRAVITY DIMENSION. UPDATED PER ECN 1114
2. ADDED HEAT REJECTION VALUES. UPDATED PER ECN 1428	ZZAJAC	7/10/17	

DIMENSIONS IN: IN (MM) REF	SCALE - NTS -	DRAFTER Z.Zajac	DATE 7/6/17	 MITSUBISHI ELECTRIC
PROPRIETARY This document is the property of Mitsubishi Electric Power Products, Inc. and contains proprietary and confidential information which must not be duplicated, used or disclosed other than as expressly authorized by Mitsubishi Electric Power Products, Inc.				
QUALITY CONTROL VALIDATION STAMP		ENGINEER K.BEAMER	DATE 7/6/17	
		APPROVED N.RIEMER	DATE 7/6/17	
			TITLE 9900 Aegis 80-160kVA	DWG. NO. SHEET 6 OF 6 REV. UD-100653 2