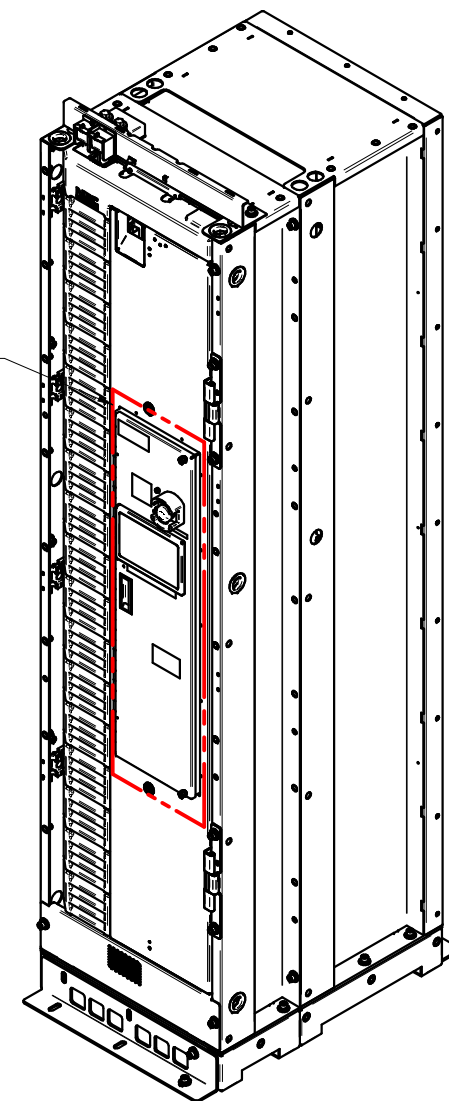
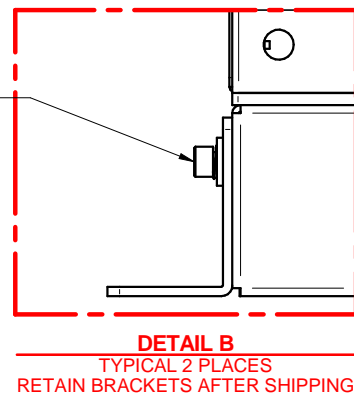


ONLY ONE INTEGRATED ZONE CONTROLLER REQUIRED PER SYSTEM



SEE OWNERS MANUAL FOR ANCHOR BRACKET TORQUE VALUES

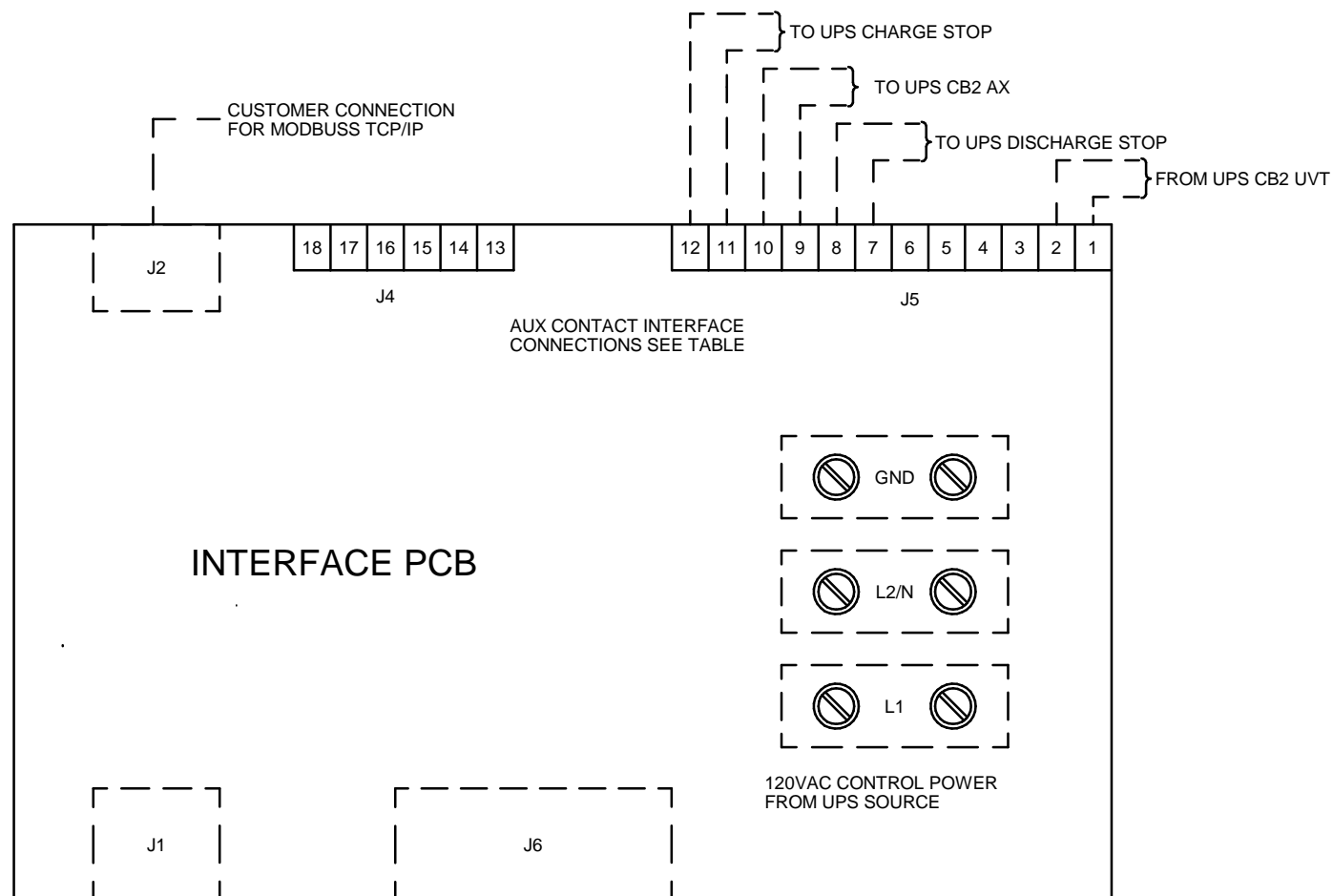


- NOTES:
- 120W MAXIMUM (SUPPLIED AND INSTALLED BY OTHERS).
 - 8 SIGNAL WIRES REQUIRED (6 SIGNAL WIRES FOR 9900C/CX), 22-16 AWG WIRE SIZE (SUPPLIED AND INSTALLED BY OTHERS).
 - RACK SPECIFICATIONS:
132 kW MAX POWER
462-588 VDC OPERATING VOLTAGE RANGE

BCL02

REVISIONS	DATE	BY	DESCRIPTION
0. RELEASED FOR CONSTRUCTION	10/3/2018	Z.ZAJAC	
1. CHANGED OVERALL WIDTH DIMENSION; UPDATED PER ECN 1458	8/30/2019	Z.ZAJAC	
2. CHANGED TITLE AND LABELING TO BCL02; UPDATED PER ECN 1509	9/25/2019	Z.ZAJAC	

DIMENSIONS IN: IN [MM] (REF)	SCALE - NTS -	DRAFTER Z.ZAJAC	DATE 10/3/18	<p>MITSUBISHI ELECTRIC</p>
<p>PROPRIETARY This document is the property of Mitsubishi Electric Power Products, Inc. and contains proprietary and confidential information which must not be duplicated, used or disclosed other than as expressly authorized by Mitsubishi Electric Power Products, Inc.</p>		APPROVED N.RIEMER	DATE 10/3/18	
CORE/REFERENCE DRAWING (IF APPLICABLE)				TITLE BCL02 LITHIUM ION BATTERY CABINET
DWG. NO. UD-100848		SHEET 1 OF 2		REV. 2

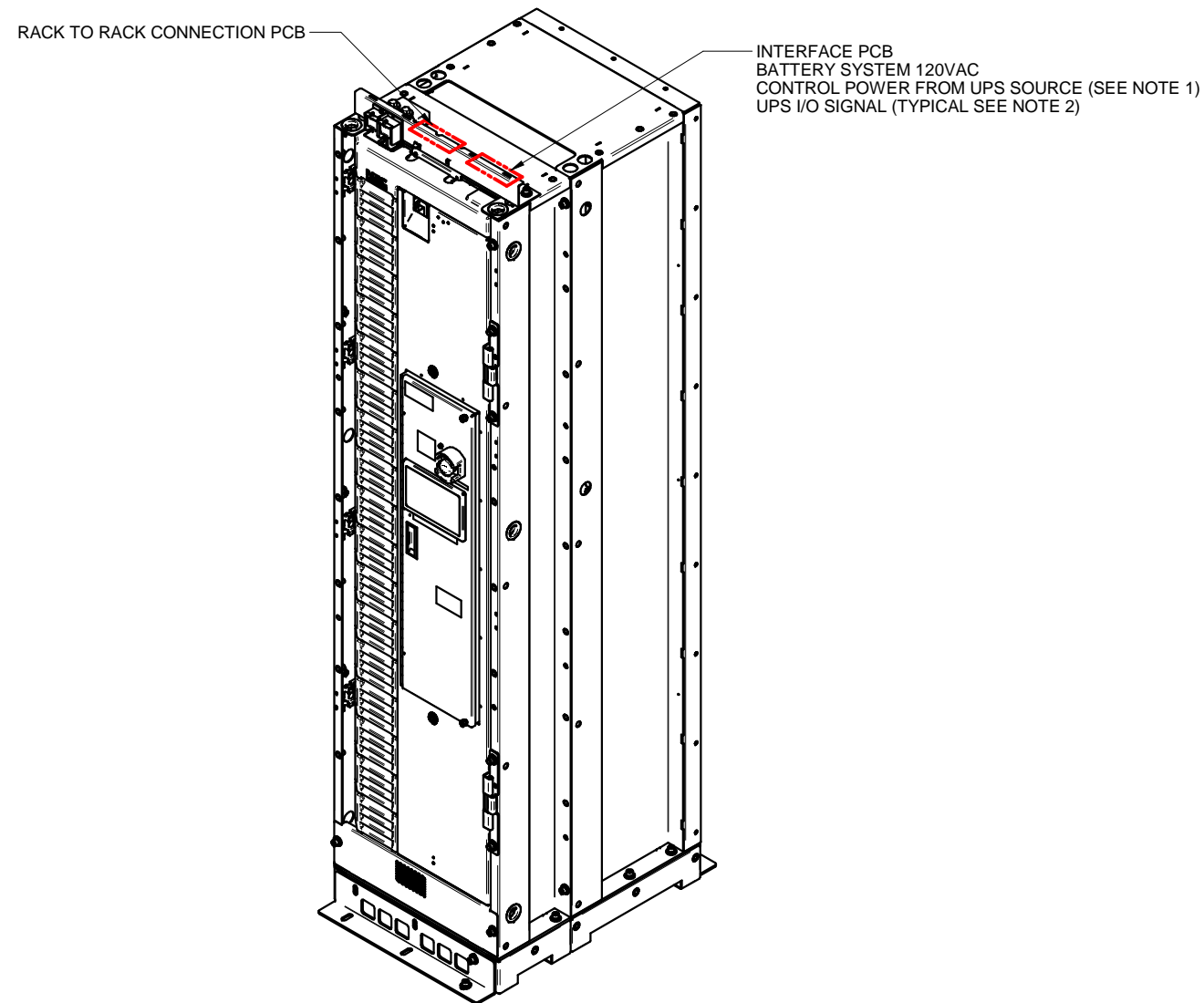


AUX CONTACT INTERFACE CONNECTIONS SEE TABLE

INTERFACE PCB

120VAC CONTROL POWER FROM UPS SOURCE

UPS I/O SIGNALS	
PIN	SIGNAL
J5-1	+24V BATTERY ENABLE
J5-2	BATTERY ENABLE
J5-3	SPARE
J5-4	SPARE
J5-5	SPARE
J5-6	SPARE
J5-7	DISCHARGE STOP C
J5-8	DISCHARGE STOP NO
J5-9	RACK CONNECTED C
J5-10	RACK CONNECTED NO
J5-11	CHARGESTOP C
J5-12	CHARGE STOP NO



INTERFACE PCB

REVISIONS	0. RELEASED FOR CONSTRUCTION Z.ZAJAC 10/3/2018
1. CHANGED OVERALL WIDTH DIMENSION; UPDATED PER ECN 1458 Z.ZAJAC 8/30/2019	
2. CHANGED TITLE AND LABELING TO BCL02; UPDATED PER ECN 1509 Z.ZAJAC 9/25/2019	

DIMENSIONS IN: IN [MM] (REF)	SCALE - NTS -	DRAFTER Z.ZAJAC	DATE 10/3/18	<p>MITSUBISHI ELECTRIC</p>
<p>PROPRIETARY This document is the property of Mitsubishi Electric Power Products, Inc. and contains proprietary and confidential information which must not be duplicated, used or disclosed other than as expressly authorized by Mitsubishi Electric Power Products, Inc.</p>		APPROVED N.RIEMER	DATE 10/3/18	
CORE/REFERENCE DRAWING (IF APPLICABLE)				TITLE BCL02 LITHIUM ION BATTERY CABINET
DWG. NO. UD-100848		SHEET 2 OF 2		REV. 2