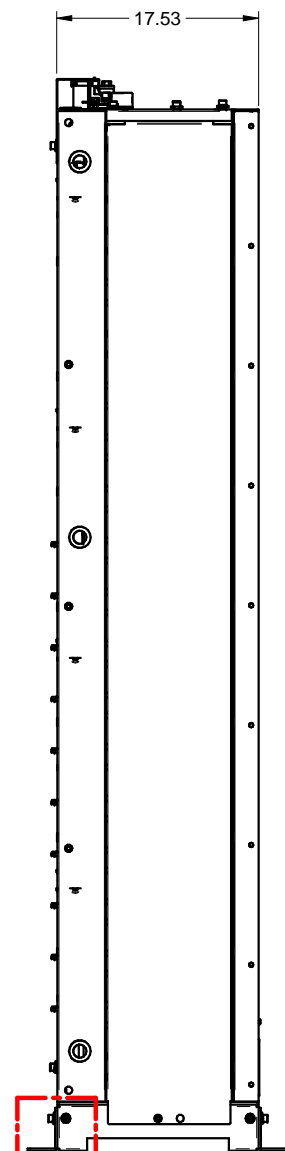
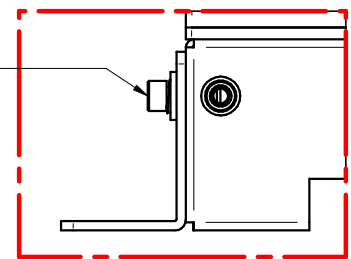


FRONT VIEW
(DOORS REMOVED)

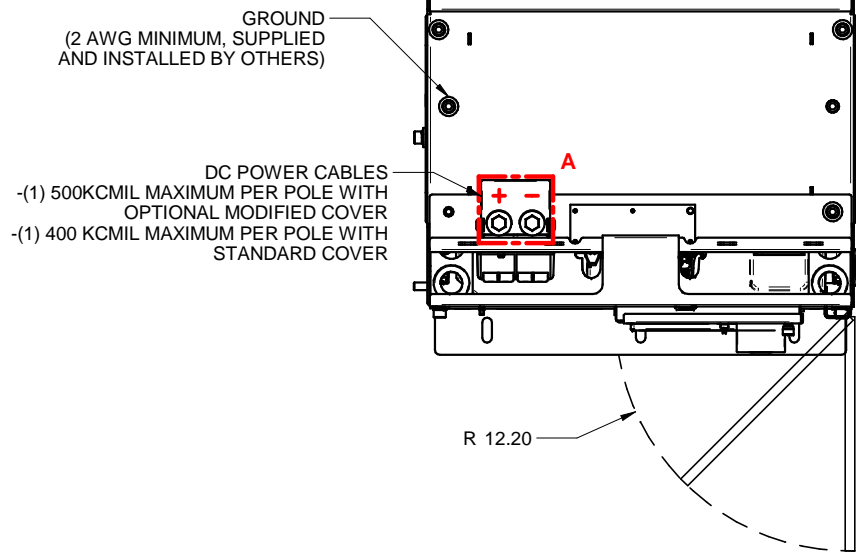


B SIDE VIEW

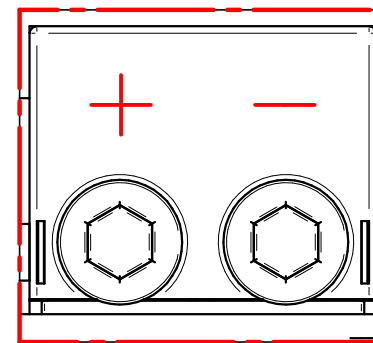
SEE OWNERS MANUAL FOR
ANCHOR BRACKET TORQUE VALUES



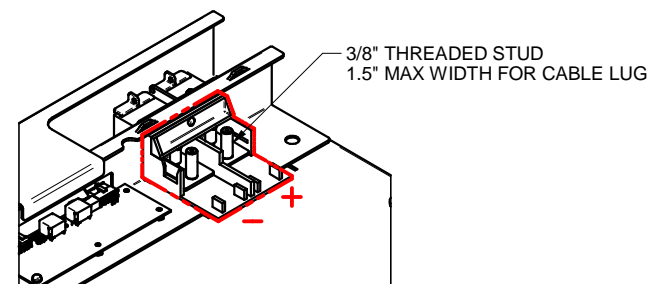
DETAIL B
TYPICAL 2 PLACES
RETAIN BRACKETS AFTER SHIPPING



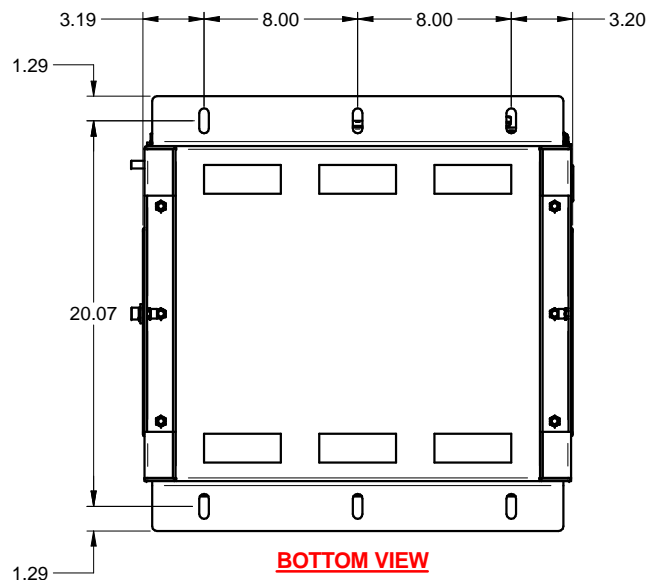
TOP VIEW
(WITH DOOR SWING)



DETAIL A
DC TERMINAL COVER

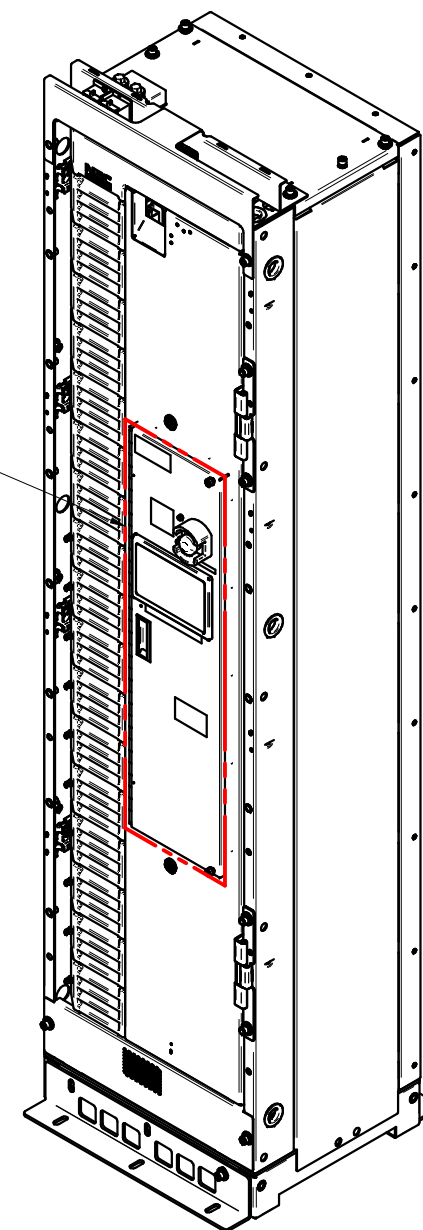


POWER CONNECTIONS
(COVER REMOVED FOR CLARITY)



BOTTOM VIEW

ONLY ONE INTEGRATED ZONE
CONTROLLER REQUIRED PER SYSTEM

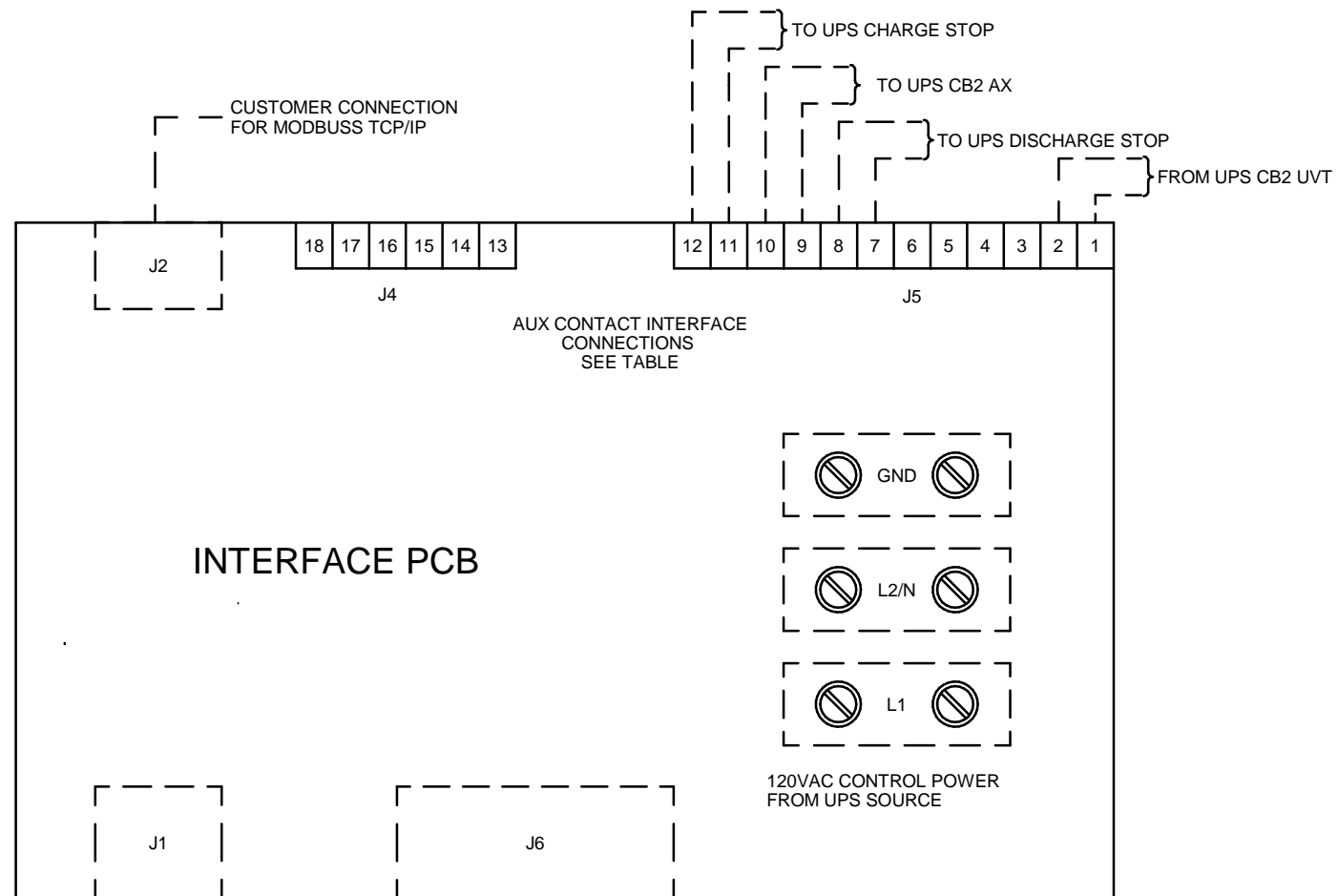


- NOTES:
- 120W MAXIMUM (SUPPLIED AND INSTALLED BY OTHERS).
 - 8 SIGNAL WIRES REQUIRED (6 SIGNAL WIRES FOR 9900C/CX), 22-16 AWG WIRE SIZE (SUPPLIED AND INSTALLED BY OTHERS).
 - RACK SPECIFICATIONS:
99 kW MAX POWER
462-588 VDC OPERATING VOLTAGE RANGE

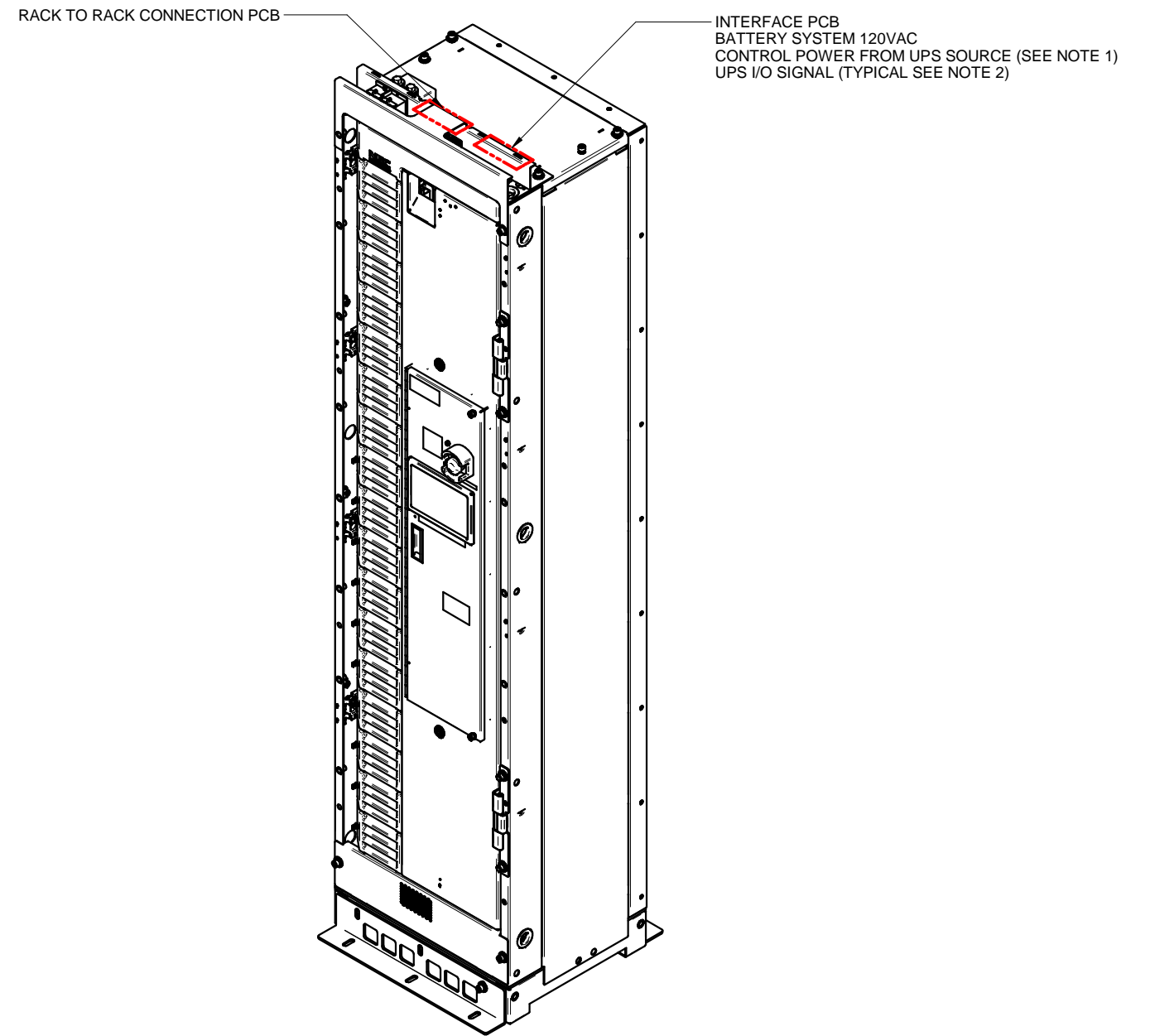
BCL01

DIMENSIONS IN: IN [MM] (REF)	SCALE - NTS -	DRAFTER Z.ZAJAC	DATE 9/25/18	MITSUBISHI ELECTRIC
		APPROVED N.RIEMER	DATE 9/25/18	
PROPRIETARY This document is the property of Mitsubishi Electric Power Products, Inc. and contains proprietary and confidential information which must not be duplicated, used or disclosed other than as expressly authorized by Mitsubishi Electric Power Products, Inc.				TITLE BCL01 LITHIUM ION BATTERY CABINET
CORE/REFERENCE DRAWING (IF APPLICABLE)		DWG. NO. SHEET 1 OF 2 UD-100845 1		

REVISIONS
0. RELEASED FOR CONSTRUCTION
Z.ZAJAC 9/25/2018
1. CHANGE TITLE AND LABELING TO BCL01; UPDATED PER ECN 1508
Z.ZAJAC 9/25/2019



UPS I/O SIGNALS	
PIN	SIGNAL
J5-1	+24V BATTERY ENABLE
J5-2	BATTERY ENABLE
J5-3	SPARE
J5-4	SPARE
J5-5	SPARE
J5-6	SPARE
J5-7	DISCHARGE STOP C
J5-8	DISCHARGE STOP NO
J5-9	RACK CONNECTED C
J5-10	RACK CONNECTED NO
J5-11	CHARGESTOP C
J5-12	CHARGE STOP NO



INTERFACE PCB

REVISIONS
0. RELEASED FOR CONSTRUCTION
Z.ZAJAC 9/25/2018
1. CHANGE TITLE AND LABELING TO BCL01; UPDATED PER ECN 1508
Z.ZAJAC 9/25/2019

DIMENSIONS IN: IN [MM] (REF)	SCALE - NTS -	DRAFTER Z.ZAJAC	DATE 9/25/18	MITSUBISHI ELECTRIC
<small>PROPRIETARY</small> <small>This document is the property of Mitsubishi Electric Power Products, Inc. and contains proprietary and confidential information which must not be duplicated, used or disclosed other than as expressly authorized by Mitsubishi Electric Power Products, Inc.</small>		APPROVED N.RIEMER	DATE 9/25/18	
CORE/REFERENCE DRAWING (IF APPLICABLE)		DWG. NO. UD-100845		SHEET 2 OF 2 REV. 1