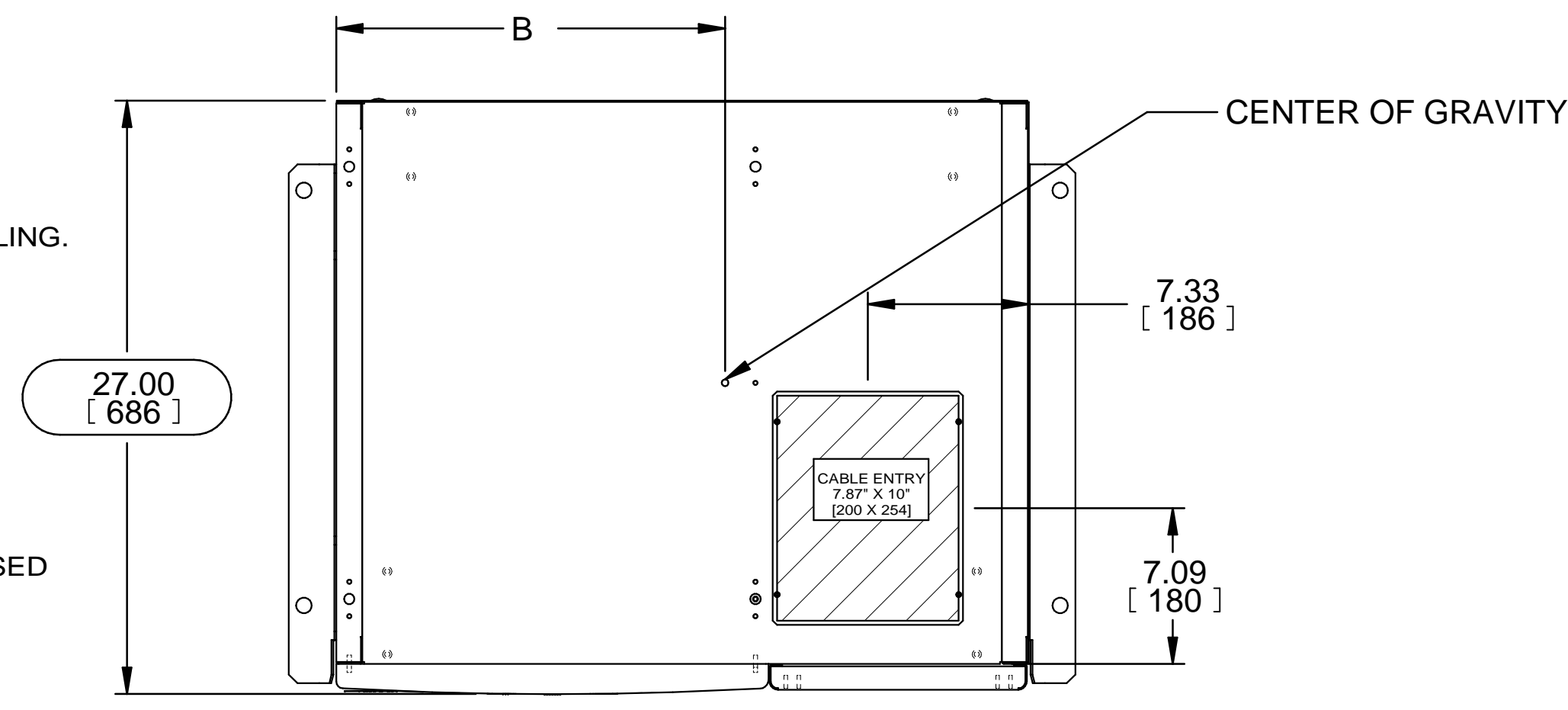
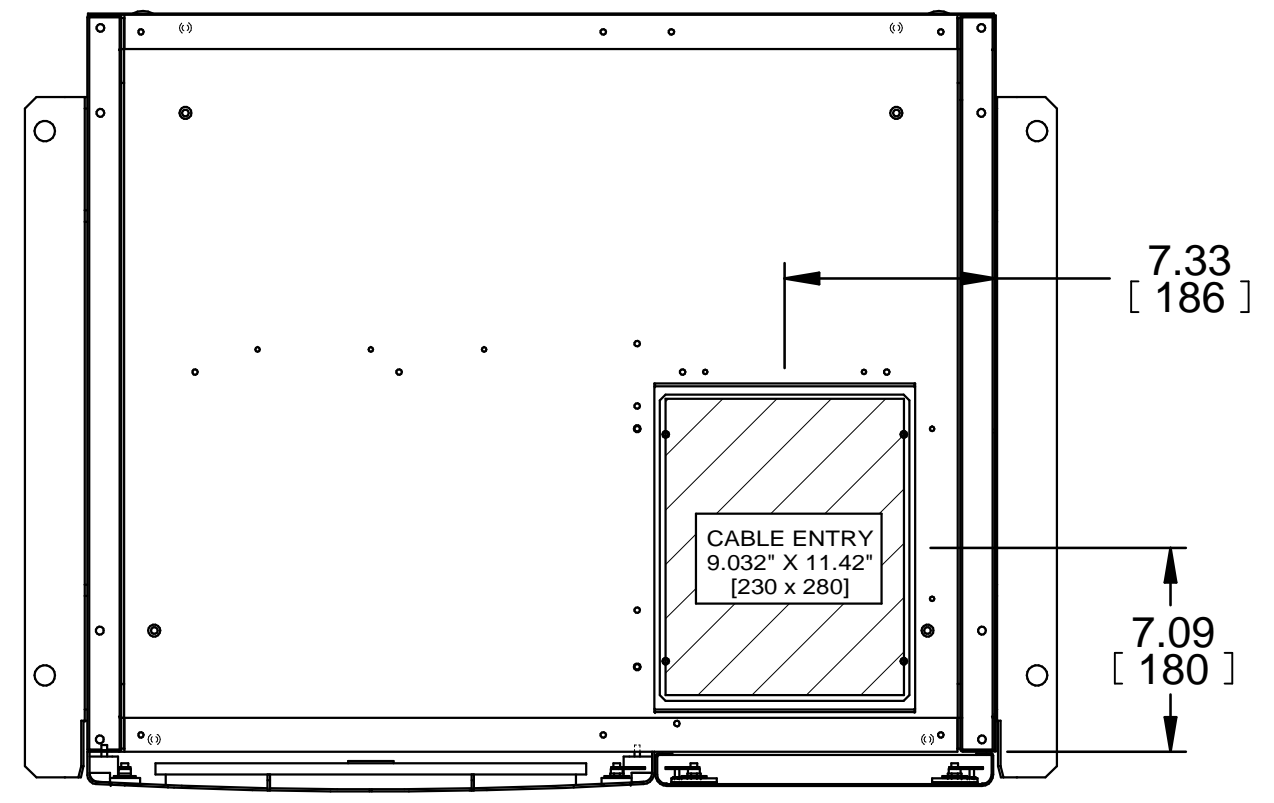


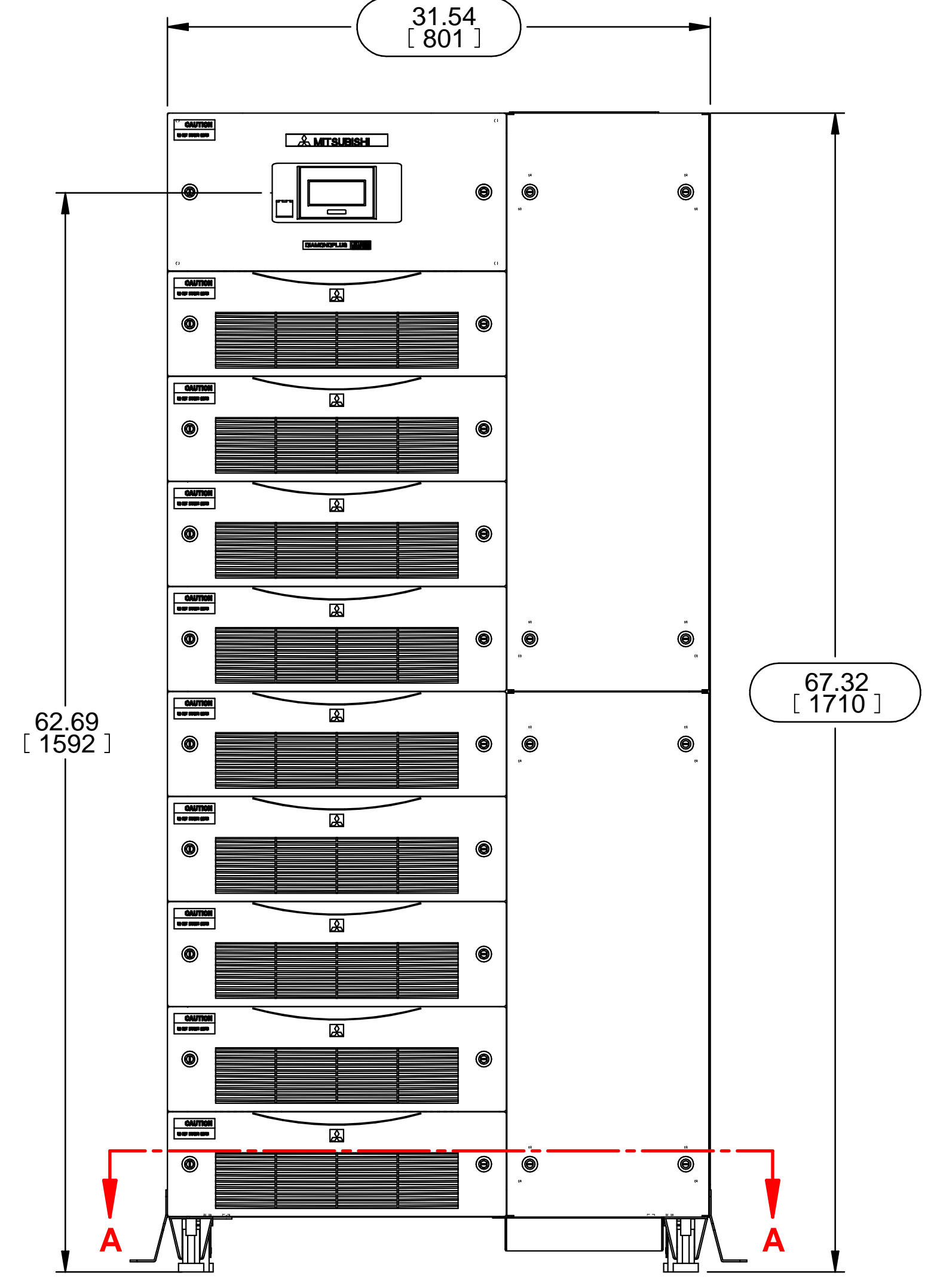
- NOTES:
1. DIMENSIONS ARE IN INCHES [mm].
 2. OVERALL DIMENSIONS DO NOT INCLUDE SIDE AND REAR PANEL BOLT HEADS.
 3. CABINETS SHOULD BE MAINTAINED UPRIGHT WITHIN 15 DEGREES DURING HANDLING.
 4. APPROXIMATE WEIGHT:
 - 10kVA 499 LBS. (227kg)
 - 20kVA 543 LBS. (247kg)
 - 30kVA 587 LBS. (267kg)
 - 40kVA 631 LBS. (287kg)
 - 50kVA 675 LBS. (307kg)
 - 60kVA 719 LBS. (327kg)
 - 70kVA 763 LBS. (347kg)
 - 80 kVA 807 LBS. (367kg)
 5. PHASE ROTATION A, B, C, CLOCKWISE
 6. ONE INCH MINIMUM CLEARANCE ON EACH SIDE EXCEPT WHEN SIDECARS ARE USED
 7. REFERENCE UD-100551 FOR UPS ELECTRICAL SCHEMATIC
 8. HEAT REJECTION VALUES:
 - 50kVA - 5.7 kBTU/HR @ 50%
 - 8.7 kBTU/HR @ 75%
 - 13.0 kBTU/HR @ 100%
 - 60kVA - 6.8 kBTU/HR @ 50%
 - 10.4 kBTU/HR @ 75%
 - 15.6 kBTU/HR @ 100%
 - 70kVA - 7.9 kBTU/HR @ 50%
 - 12.1 kBTU/HR @ 75%
 - 18.2 kBTU/HR @ 100%
 - 80kVA - 9.1 kBTU/HR @ 50%
 - 13.9 kBTU/HR @ 75%
 - 20.8 kBTU/HR @ 100%



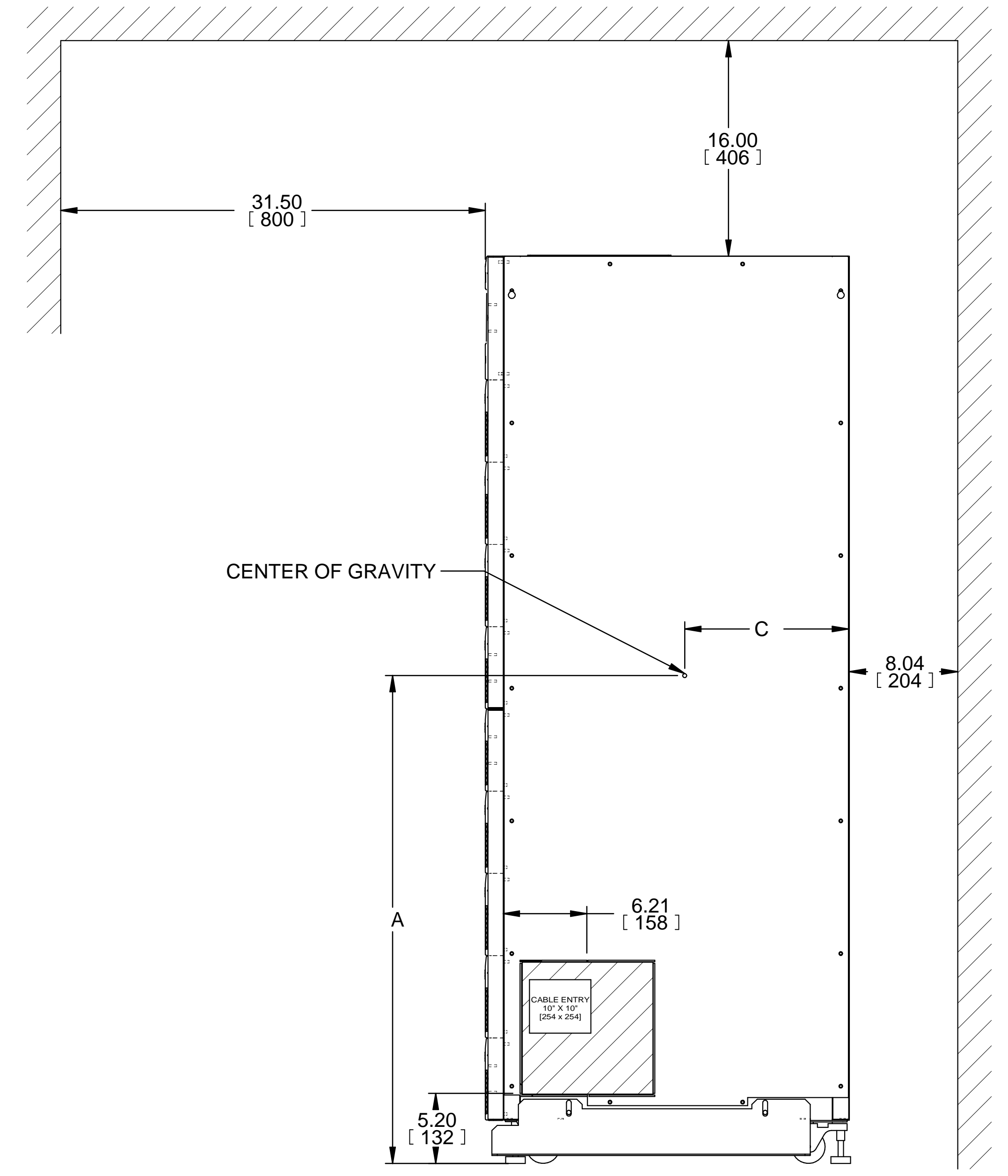
TOP VIEW



SECTION A-A



FRONT VIEW



RIGHT SIDE VIEW

CENTER OF GRAVITY DIMENSIONS IN			
KVA	A	B	C
10	38.0	16.1	13.4
20	38.9	15.6	13.4
30	39.2	15.2	13.4
40	39	14.8	13.4

CENTER OF GRAVITY DIMENSIONS IN			
KVA	A	B	C
50	38.5	14.5	13.4
60	37.6	14.2	13.4
70	36.5	13.9	13.4
80	35.2	13.7	13.4

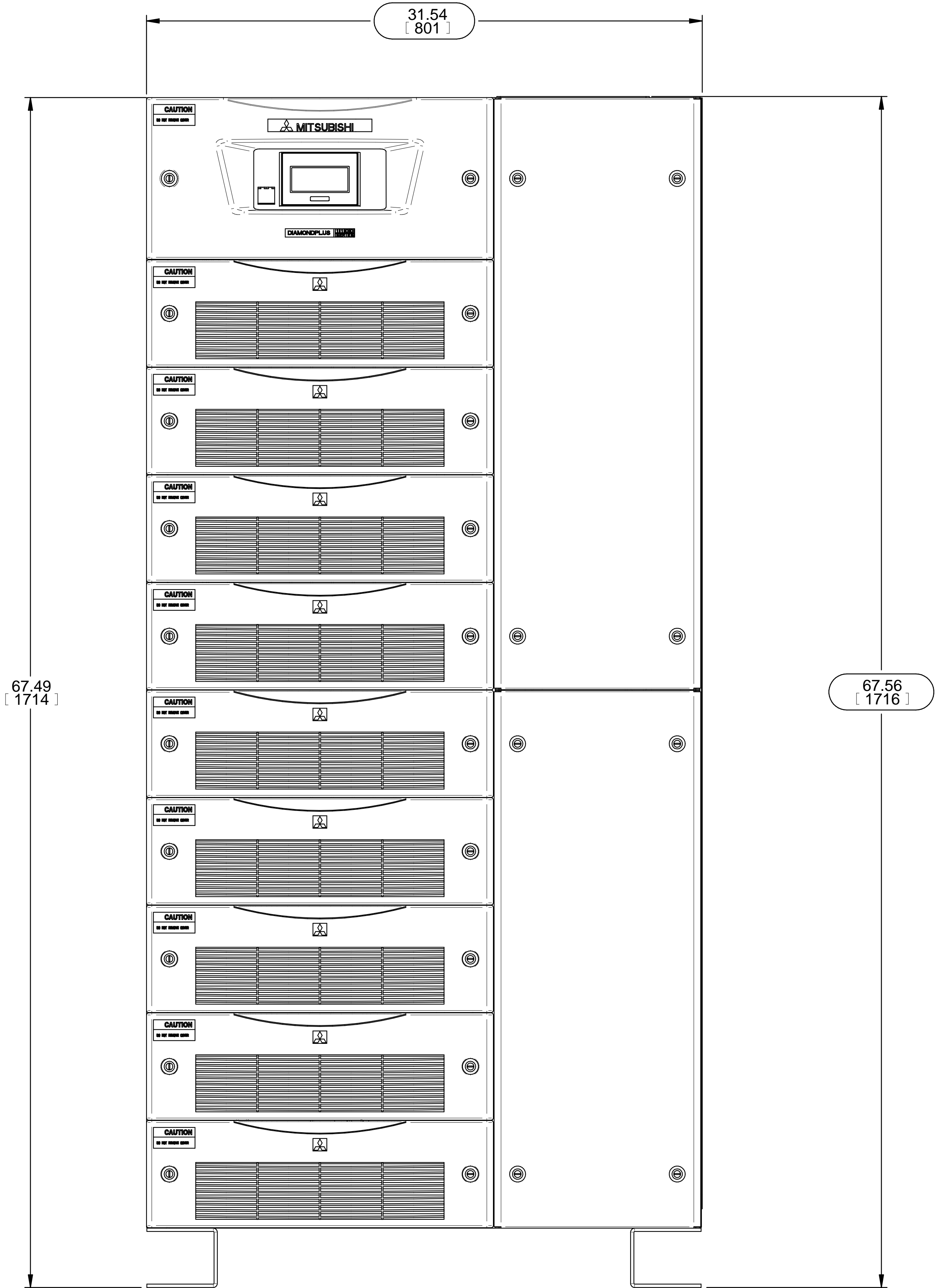
STANDARD 1100B UPS CONFIGURATION

REVISIONS	DATE	DESCRIPTION
0	2/23/12	INITIAL RELEASE
1	03/18/13	MINOR REVISIONS
2	06/18/13	SHOW DETAIL OF NEMA 2 HOLE CONNECTION
3	08/24/17	ADDED SEISMIC BRACKET SHEET
4	04/27/2018	ADDED SECOND CENTER OF GRAVITY TABLE & ADDED WEIGHTS TO NOTES
5	09/20/18	CETER OF GRAVITY TABLE REVISED
6	07/29/2019	ADDED "kg" AND "mm" AND HEAT REJECTION VALUES; UPDATED PER ECN 1433

FABRICATION TOLERANCE	NOMINAL SIZE	TOLERANCE
ANGLES		±0.01°
HOLE TO MATERIAL EDGE		±0.01
HOLE TO FORMED EDGE		±0.01
HOLE TO HOLE		±0.005
FORMED EDGE TO FORMED EDGE		±0.01
FORMED EDGE TO WELDED EDGE < 48.0		±0.03
FORMED EDGE TO WELDED EDGE > 48.0		±0.06
PANEL DISTORTION OVER 48.0in		0.03 MAX

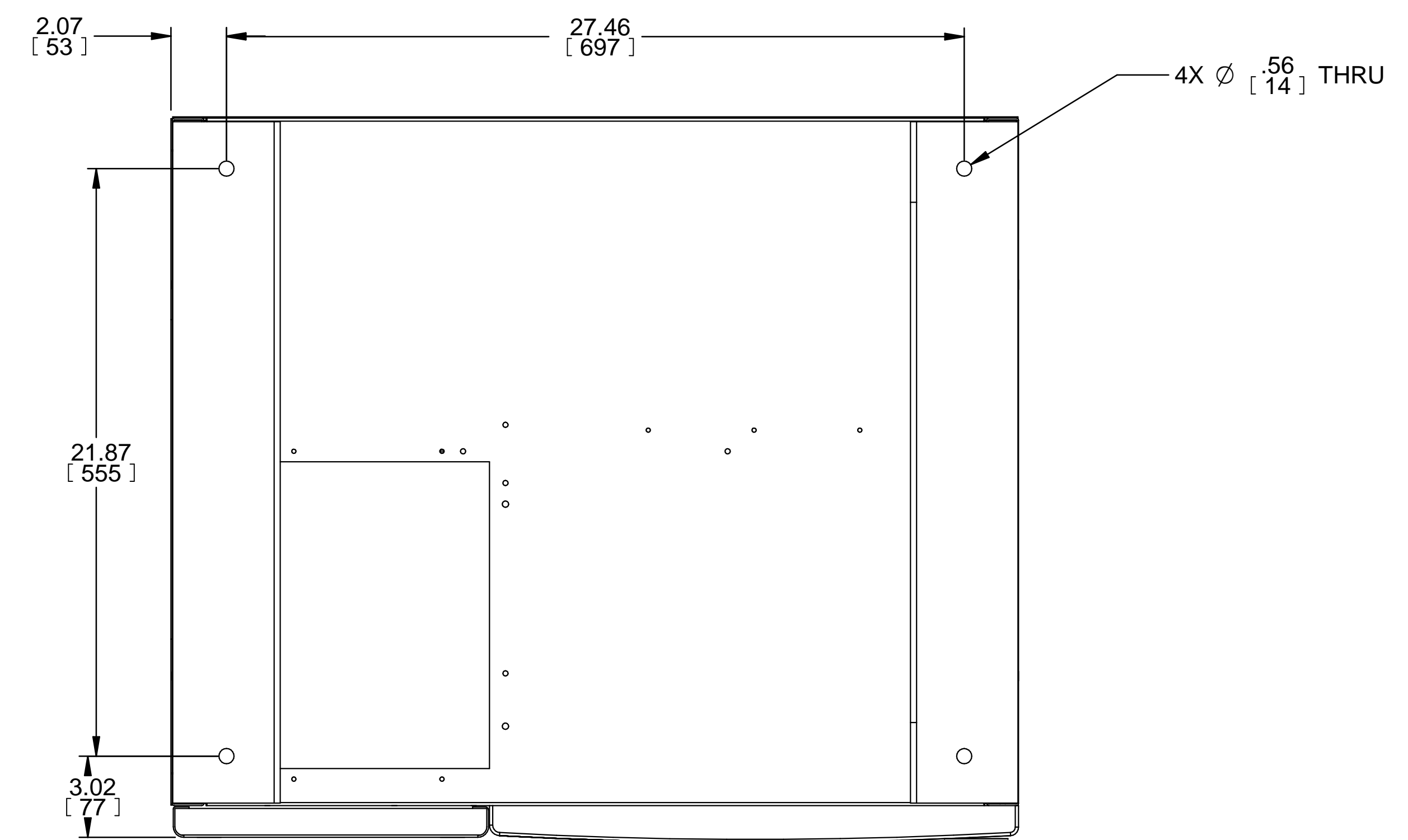
DIMENSIONS IN:	SCALE	DRAFTER	DATE
IN [MM] (REP)	- NTS -	G. JOHNSON	2/23/12
PROPRIETARY This document is the property of Mitsubishi Electric Power Products, Inc. and contains proprietary and confidential information which must not be duplicated, used or disclosed other than as expressly authorized by Mitsubishi Electric Power Products, Inc.		APPROVED	DATE
CORE (REFERENCE) DRAWING if there is a core drawing insert that here		N. RIEMER	2/23/12

MITSUBISHI ELECTRIC
 TITLE 1100B SERIES UPS 10-80KVA OUTLINE
 DWG. NO. UD-100175 SHEET 1 OF 3 REV. 6



FRONT VIEW

NOTES:
1. REFERENCE UD-100382 FOR SEISMIC BRACKET INSTALLATION



BOTTOM VIEW

OPTIONAL SEISMIC BRACKET MOUNTING DETAIL

REVISIONS
0 INITIAL RELEASE GDJ 2/23/12
1 MINOR REVISIONS EGF 03/18/13
2 SHOW DETAIL OF NEMA 2 HOLE CONNECTION GDJ 06/18/13
3. ADDED SEISMIC BRACKET SHEET Z.ZAJAC 8/24/17
4. ADDED SECOND CENTER OF GRAVITY TABLE & ADDED WEIGHTS TO NOTES Z.ZAJAC 4/27/2018
5. CETER OF GRAVITY TABLE REVISED J.MENDEZ 5/9/2018
6. ADDED "KG" AND "mm" AND HEAT REJECTION VALUES; UPDATED PER ECN 1433 Z.ZAJAC 7/29/2019

FABRICATION TOLERANCE	
NOMINAL SIZE	TOLERANCE
ANGLES	±0.01°
HOLE TO MATERIAL EDGE	±0.01
HOLE TO FORMED EDGE	±0.01
HOLE TO HOLE	±0.005
FORMED EDGE TO FORMED EDGE	±0.01
FORMED EDGE TO WELDED EDGE < 48.0	±0.03
FORMED EDGE TO WELDED EDGE > 48.0	±0.06
PANEL DISTORTION OVER 48.0in	0.03 MAX

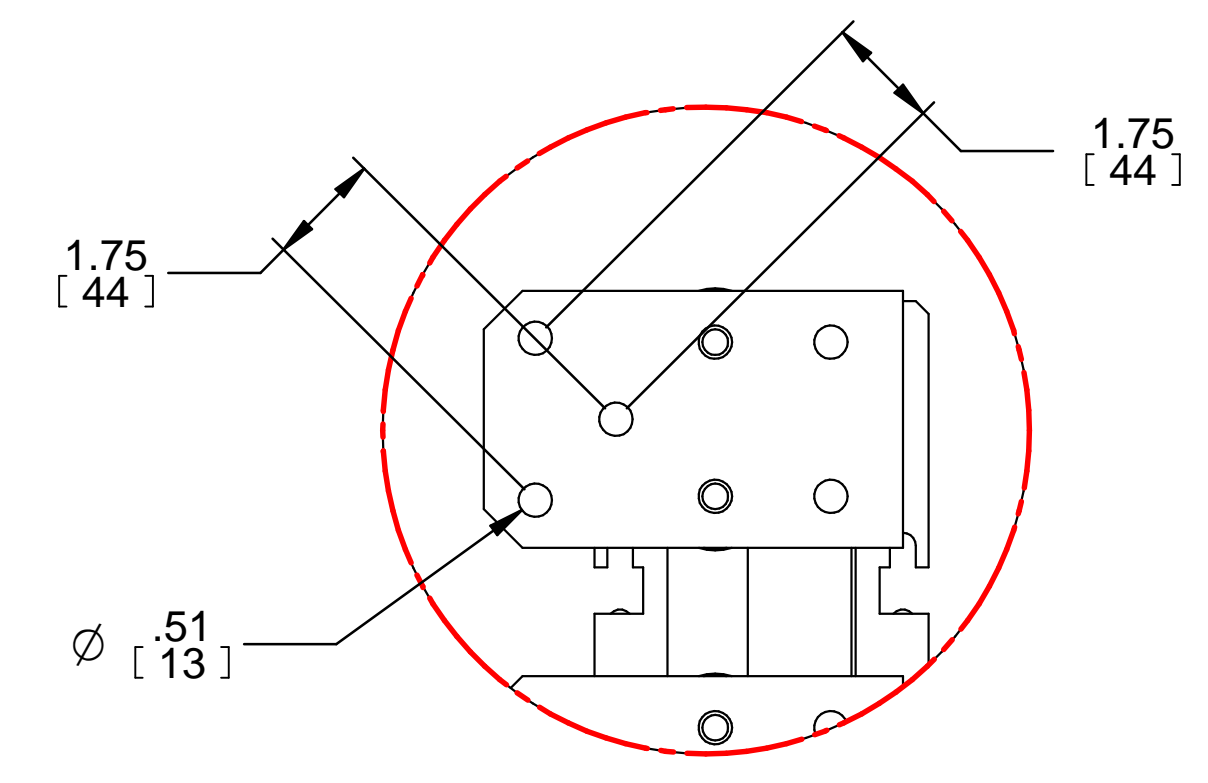
DIMENSIONS IN:	SCALE
IN [MM] (REP)	
PROPRIETARY	
This document is the property of Mitsubishi Electric Power Products, Inc. and contains proprietary and confidential information which must not be duplicated, used or disclosed other than as expressly authorized by Mitsubishi Electric Power Products, Inc.	

DRAFTER	DATE
APPROVED	DATE
G. JOHNSON	2/23/12
N. RIEMER	2/23/12

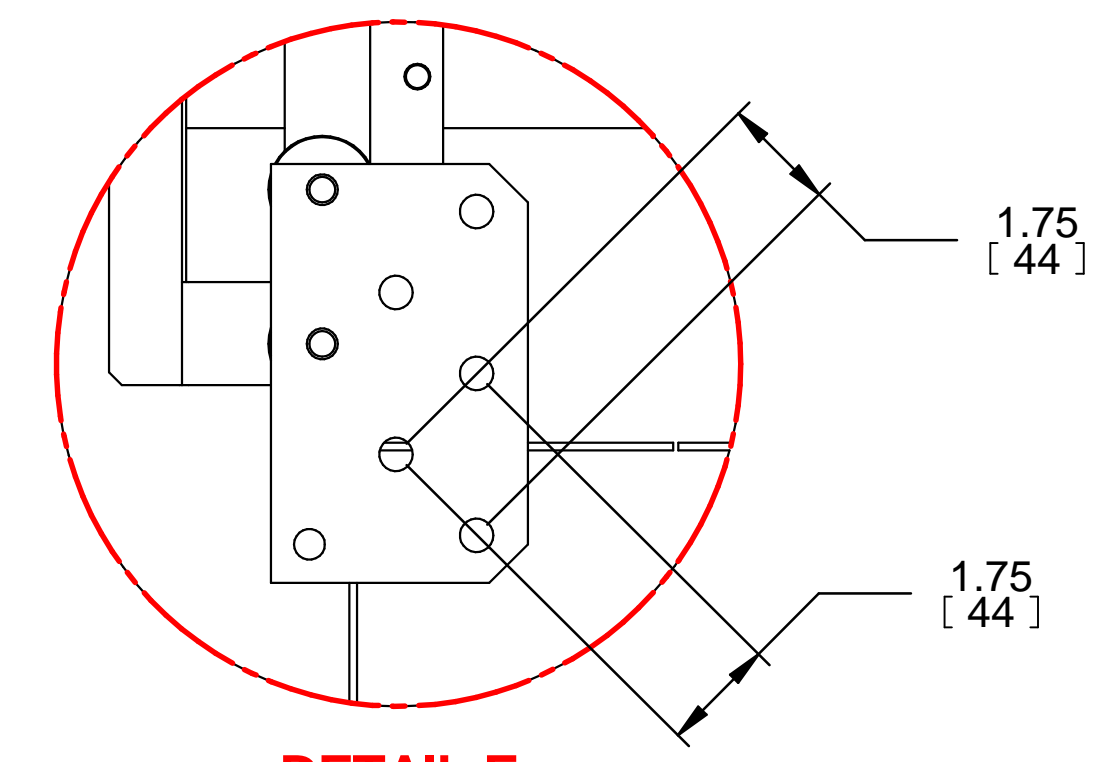
MITSUBISHI ELECTRIC

TITLE 1100B SERIES UPS 10-80KVA OUTLINE

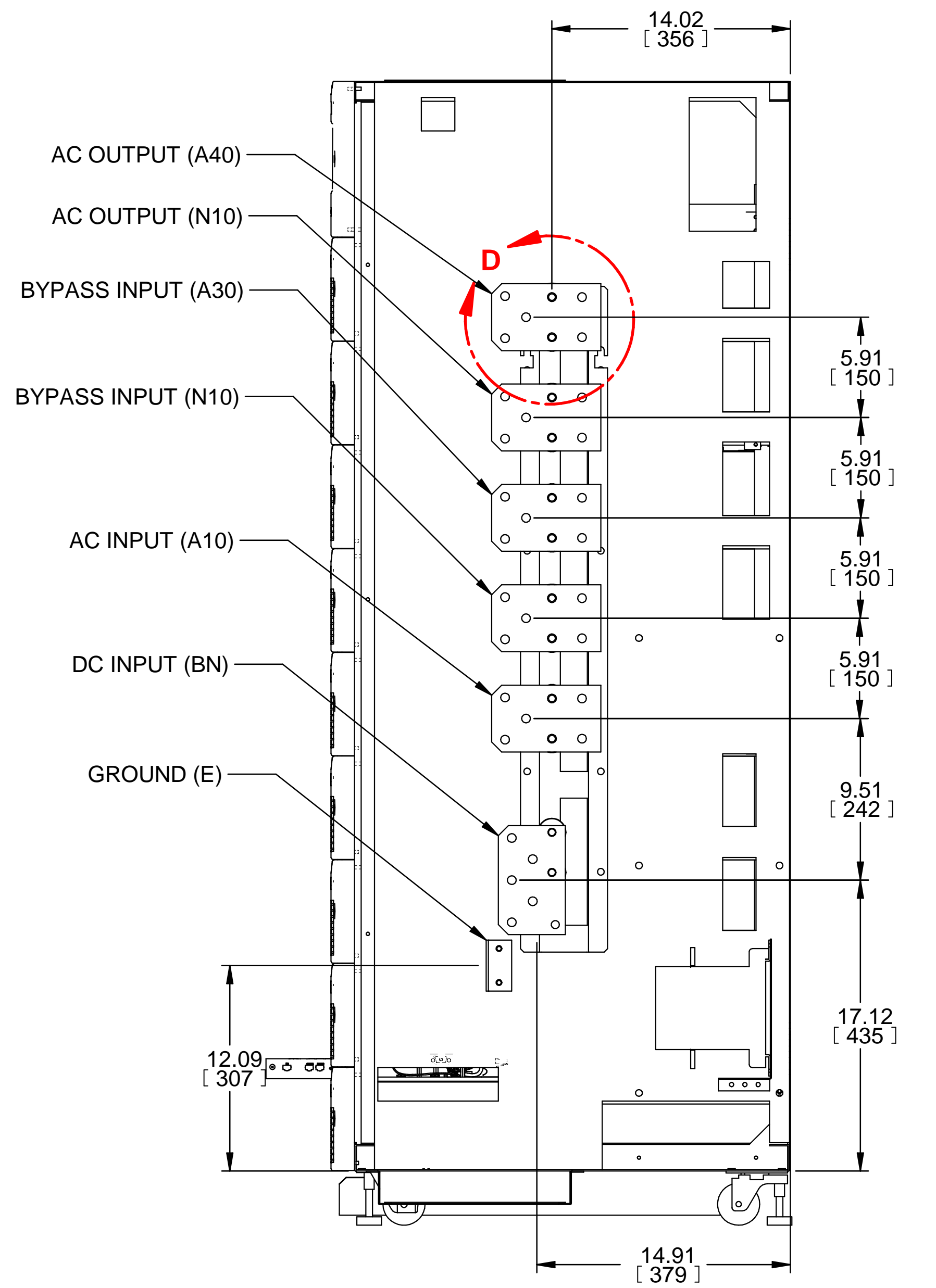
DWG. NO. UD-100175 SHEET 2 OF 3 REV. 6



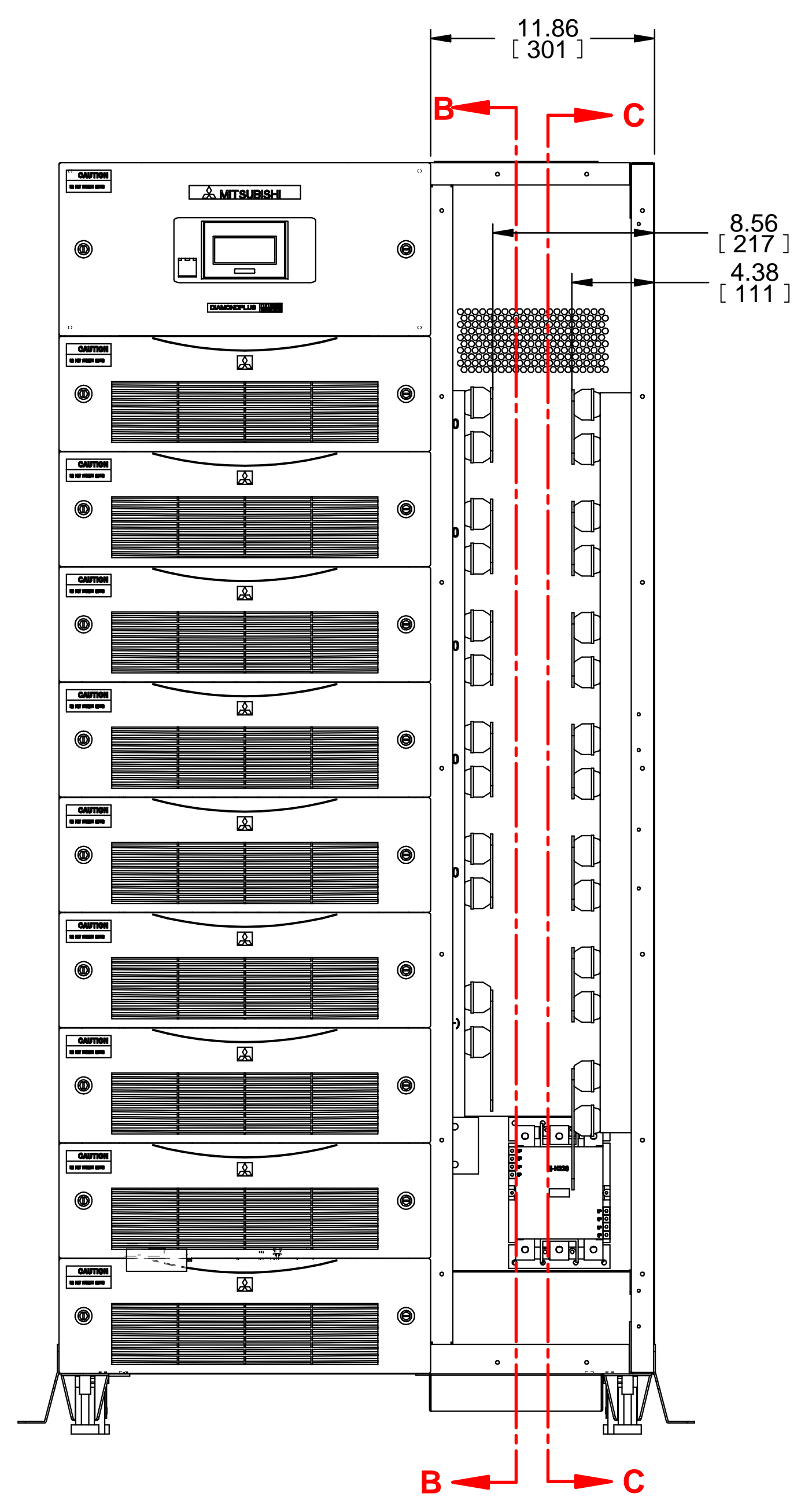
DETAIL D
NEMA 2 HOLE LUG CONNECTION



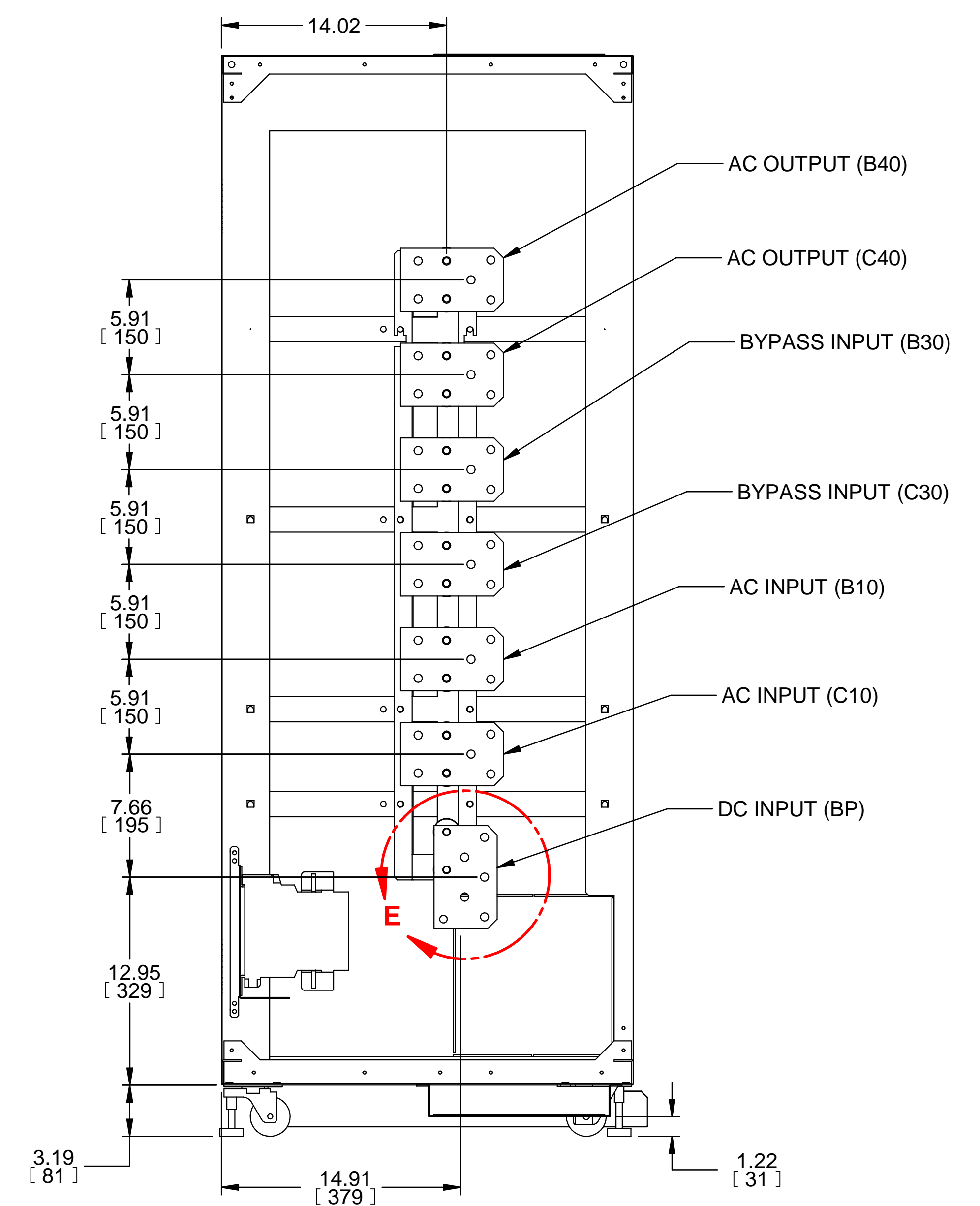
DETAIL E



SECTION B-B



UPS CONNECTION DETAIL



SECTION C-C

REVISIONS	DESCRIPTION	DATE
0	INITIAL RELEASE	GDJ 2/23/12
1	MINOR REVISIONS	EGF 03/18/13
2	SHOW DETAIL OF NEMA 2 HOLE CONNECTION	GDJ 06/18/13
3	ADDED SEISMIC BRACKET SHEET	Z.ZAJAC 8/24/17
4	ADDED SECOND CENTER OF GRAVITY TABLE & ADDED WEIGHTS TO NOTES	Z.ZAJAC 4/27/2018
5	CETER OF GRAVITY TABLE REVISED	J.MENDEZ 5/9/2018
6	ADDED "kg" AND "mm" AND HEAT REJECTION VALUES; UPDATED PER ECN 1433	Z.ZAJAC 7/29/2019

FABRICATION TOLERANCE		DIMENSIONS IN:	SCALE	DRAFTER	DATE
NOMINAL SIZE	TOLERANCE	IN [MM] (REP)		G. JOHNSON	2/23/12
ANGLES	±0.01°			APPROVED	DATE
HOLE TO MATERIAL EDGE	±0.01			N. RIEMER	2/23/12
HOLE TO FORMED EDGE	±0.01				
HOLE TO HOLE	±0.005				
FORMED EDGE TO FORMED EDGE	±0.01				
FORMED EDGE TO WELDED EDGE < 48.0	±0.03				
FORMED EDGE TO WELDED EDGE > 48.0	±0.06				
PANEL DISTORTION OVER 48.0in	0.03 MAX				

PROPRIETARY This document is the property of Mitsubishi Electric Power Products, Inc. and contains proprietary and confidential information which must not be duplicated, used or disclosed other than as expressly authorized by Mitsubishi Electric Power Products, Inc.		CORE (REFERENCE) DRAWING If there is a core drawing insert that here
TITLE 1100B SERIES UPS 10-80KVA OUTLINE	DWG. NO. UD-100175	SHEET 3 OF 3 REV. 6

