



## Battery Range Summary

The EnerSys® DataSafe® XE range of front and top terminal batteries has been developed to meet the challenging demands of the modern UPS market sector. Conventional Uninterruptible Power Supply (UPS) batteries that historically focused on a 15 minute rate discharge have become increasingly ineffective in fulfilling the growing need for sub five minute autonomies. Furthermore, the pressure to lower energy costs by minimizing air conditioning in equipment rooms results in a trend towards higher operating temperatures.

To meet these requirements, EnerSys has optimized its world-renowned, advanced Thin Plate Pure Lead (TPPL) technology to deliver five monoblocs, with outstanding features and benefits. Unlike typical Valve Regulated Lead Acid (VRLA) batteries, DataSafe front terminal 12XE1010F-FR, 12XE1110F-FR, 12XE1150F-FR and the top terminal 12XE760-FR and 12XE1040-FR monoblocs provide the perfect solution to the ever-evolving requirements of today's data center world.

### Features and Benefits

- 764, 1010, 1040, 1109 and 1150 Watts per cell sizes (five minute rate to 1.67 Vpc)
- Specifically designed for five minutes or less high-rate discharge applications
- Pure lead technology for longer life at elevated temperatures
- 12 year design life at 77°F (25°C)
- Up to 17 months shelf life at 77°F (25°C) for maximum flexibility in project deployment
- Outstanding power density in industry-standard footprints at 77°F (25°C)
- Fast recharge times to support multiple outages
- Lower energy consumption compared to traditional VRLA AGM batteries
- Front terminal design for ease of installation and maintenance
- Top terminal design for upgrades to existing applications

## Construction

- High performance TPPL grids for optimized corrosion resistance at high operating temperatures
- Active material specifically engineered for maximum performance at sub five minute discharge rates
- Enhanced internal connections designed for high rate UPS loads
- Superior quality microporous glass mat separator with high absorption and stability
- Containers and lids in UL94 V-0 rated flame retardant material, highly resistant to shock and vibration
- High grade sulphuric acid electrolyte absorbed into separator material
- High integrity leak resistant dual-seal terminal design
- Self-regulating pressure relief valves prevent ingress of oxygen
- Flame arrestors built into each bloc for increased operational safety
- Robust handles for ease of handling

## Installation and Operation

- Monoblocs are designed for installation in cabinets or on racks, close to the point of use. A separate battery room is not necessary
- It is recommended that DataSafe® XE blocs are installed upright
- Recommended float charge voltage: 2.27Vpc at 77°F (25°C) 2.29Vpc at 68°F (20°C)
- Low maintenance: no water addition required
- Wide operating temperature range: -40°F (-40°C) to 122°F (50°C)
- Front terminal connection torque: 9Nm – 80 lbf in; Top terminal connection torque: 6.8Nm – 60 lbf in

## Standards

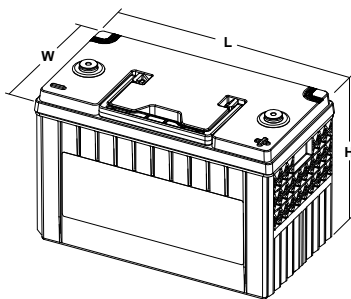
- Designed to be compliant with the requirements of international standard IEC 60896-21/22
- UL recognized component
- Classified as non-spillable and approved as non-hazardous cargo for ground, sea and air transportation in accordance with the requirements of International Maritime code for Dangerous Goods (IMDG) and International Civil Aviation Organization (ICAO)
- The management systems governing the manufacture of DataSafe XE batteries are ISO 9001:2008, ISO 14001:2004 and OHSAS 18001:2007\* certified

\* OHSAS 18001:2007 certification not applicable to 12XE760F-FR

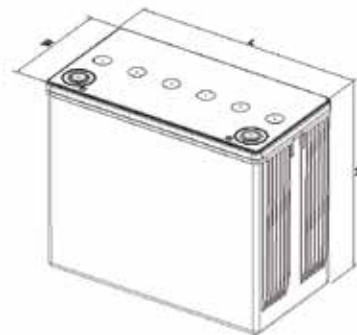
## General Specifications

Type	Nominal Voltage (V)	Watts/Cell (Wpc)		Nominal Capacity (Ah)		Nominal Dimensions						Typical Weight		Short Circuit Current (A)	Internal Resistance (mΩ) <sup>1</sup>	Terminals
		5min/1.67Vpc 77°F/25°C	15min/1.67Vpc 77°F/25°C	C10/1.80Vpc 68°F/20°C	C10/1.80Vpc 68°F/20°C	Length		Width		Overall Height		lbs	kg			
						in	mm	in	mm	in	mm					
12XE760-FR	12	764	390	92	93	13.0	330	6.8	173	8.6	218	77.4	35.1	3100	4.0	M6 female
12XE1040-FR	12	1040	560	124	129	13.3	338	6.8	125	10.8	273	97.0	44.0	4150	3.3	M6 female
12XE1010F-FR	12	1010	566	155	158	22.9	581	4.9	125	11.1	283	107.4	48.7	3498	3.6	M6 male
12XE1110F-FR	12	1109	649	165	167	22.9	581	4.9	125	11.1	283	114.0	51.7	3916	3.2	M6 male
12XE1150F-FR	12	1150	706	180	181	22.9	581	4.9	125	12.4	316	129.2	58.6	4081	3.1	M6 male

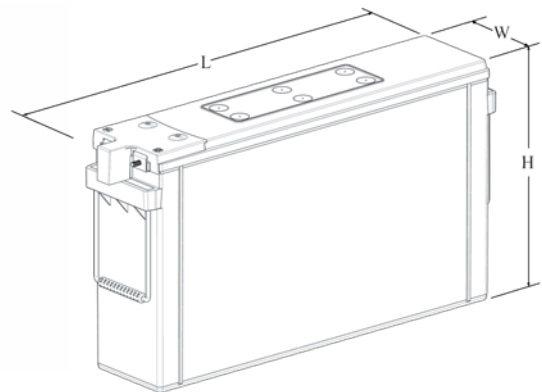
Note:  
1 Figures obtained via IEC method.



12XE760-FR



12XE1040-FR



12XE1010F-FR  
12XE1110F-FR  
12XE1150F-FR



**EnerSys World Headquarters**  
2366 Bernville Road  
Reading, PA 19605, USA  
Tel: +1-610-208-1991 /  
+1-800-538-3627

**EnerSys EMEA**  
EH Europe GmbH  
Baarerstrasse 18  
6300 Zug, Switzerland

**EnerSys Asia**  
152 Beach Road  
Gateway East Building #11-03  
Singapore 189721  
Tel: +65 6508 1780