

# MITSUBISHI 9900D 2000kVA UPS OUTLINE DRAWING

CUSTOMER -



PROJECT NUMBER -

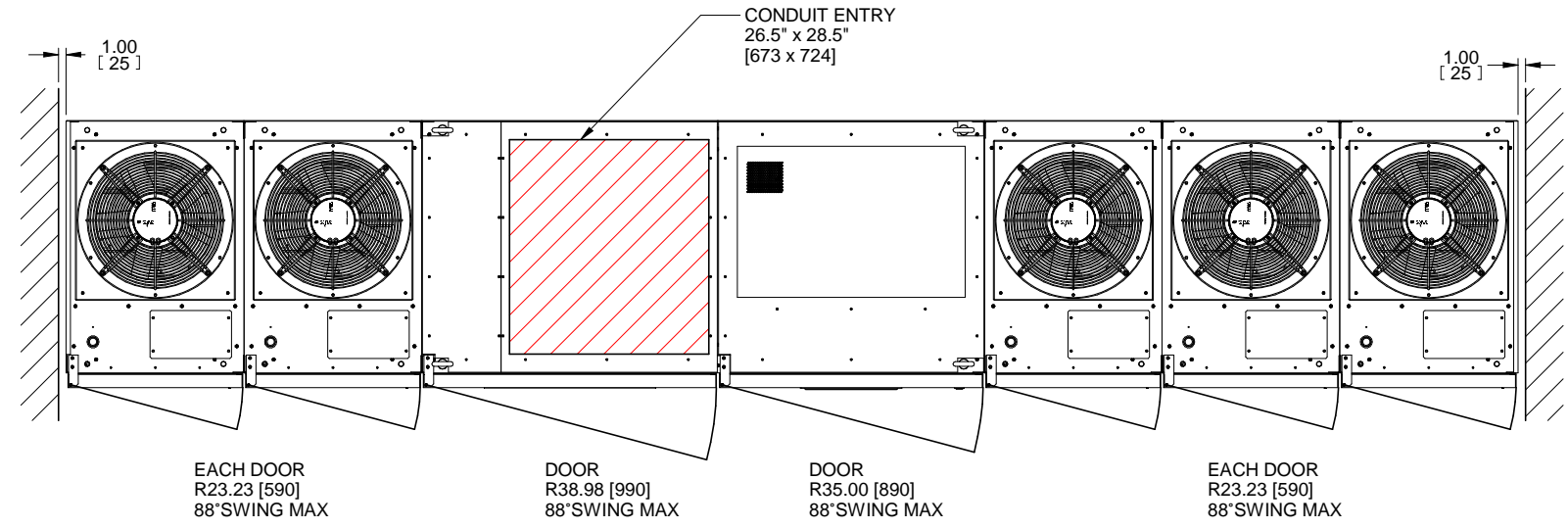
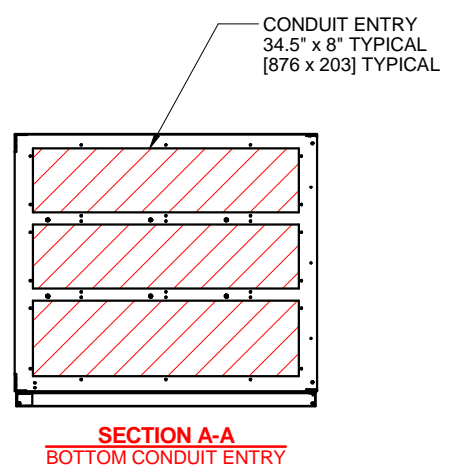
PROJECT LOCATION -

## TABLE OF CONTENTS

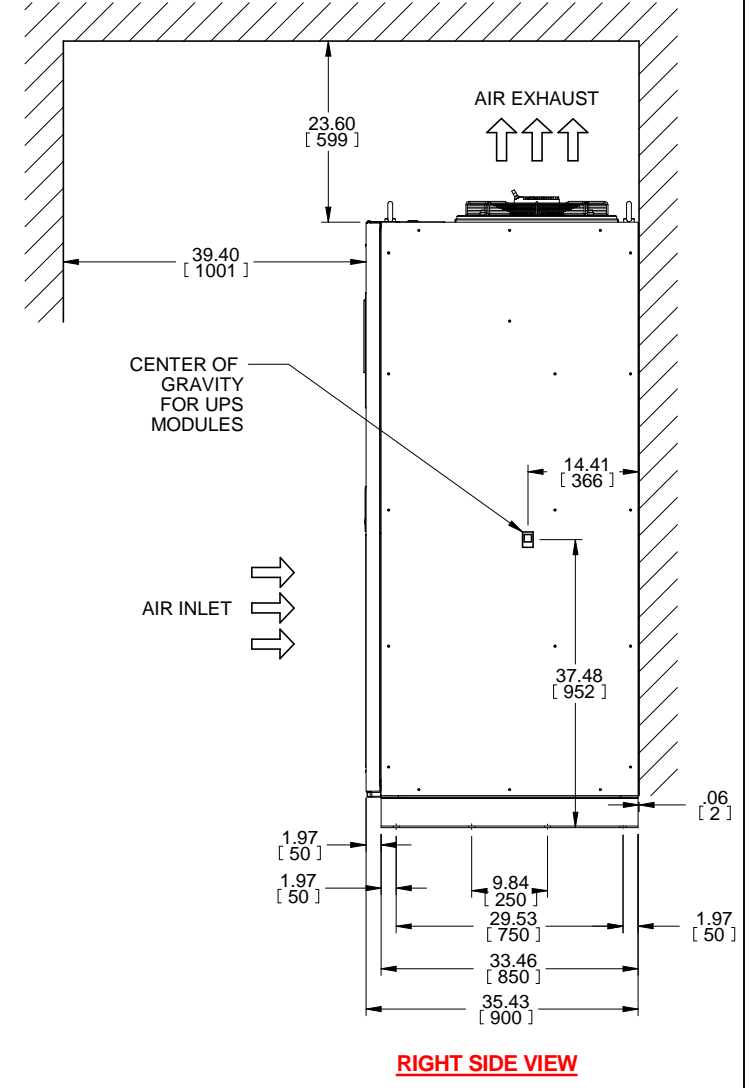
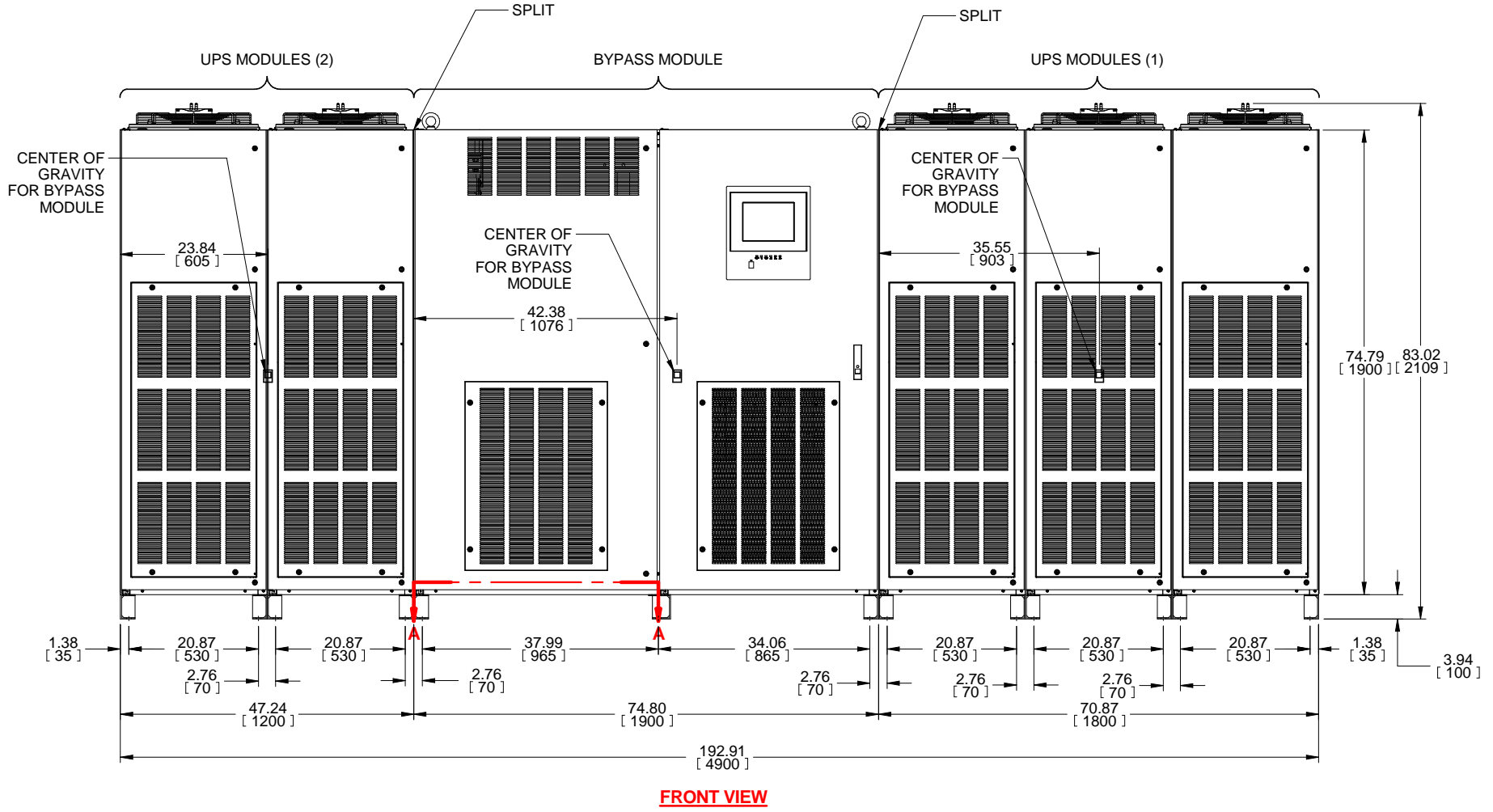
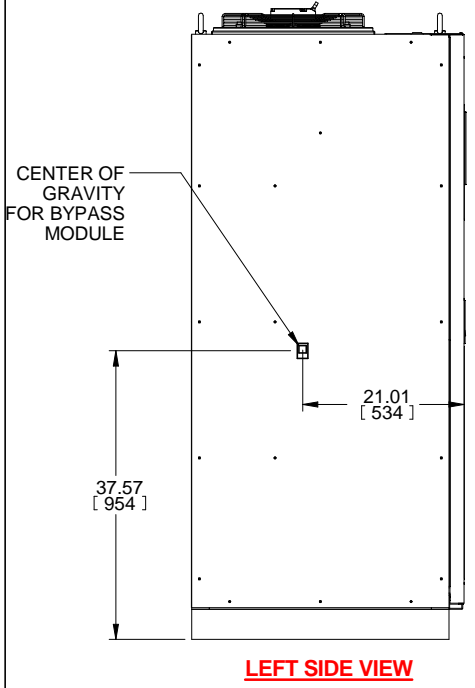
| SHEET NO. | TITLE                |
|-----------|----------------------|
| 01        | COVER SHEET          |
| 02        | OUTLINE              |
| 03        | BUS CONNECTIONS      |
| 04        | SYSTEM CONFIGURATION |
| 05        | SINGLE LINE          |
| 06        | SINGLE LINE          |
| 07        |                      |
| 08        |                      |
| 09        |                      |
| 10        |                      |
| 11        |                      |
| 12        |                      |
| 13        |                      |
| 14        |                      |
| 15        |                      |

|           |  |
|-----------|--|
| REVISIONS | 0. INITIAL RELEASE<br>PER ECN 1404<br>Z.ZAJAC 11/5/2019<br><br>1. ADDED SHEET 3<br>BUSS DETAILS,<br>AND OVERALL<br>DIMENSIONS AND<br>WEIGHTS<br>Z.ZAJAC 11/5/2019<br><br>2. UPDATED<br>DIMENSIONS AND<br>VIEWS FOR NEW<br>DOOR<br>J.PRY-SOCK 2/27/20 |
|-----------|--|

|  |                  |                      |                              |  |  |
|--|------------------|----------------------|------------------------------|--|--|
| DIMENSIONS IN:<br>IN [MM] (REF)  | SCALE<br>- NTS - | DRAFTER<br>Z.ZAJAC   | DATE<br>7/18/19              |  <b>MITSUBISHI<br/>ELECTRIC</b> |  |
| PROPRIETARY<br><small>This document is the property of Mitsubishi Electric Power Products, Inc. and contains proprietary and confidential information which must not be duplicated, used or disclosed other than as expressly authorized by Mitsubishi Electric Power Products, Inc.</small> |                  | APPROVED<br>A.WINTER | DATE<br>7/18/19              |  |  |
| CORE/REFERENCE DRAWING<br>(IF APPLICABLE)  |                  |                      |                              |                                 | TITLE<br>9900D 2000KVA OUTLINE DRAWING |
|  |                  |                      | DWG. NO.<br><b>UD-100993</b> | SHEET 1 OF 6<br>REV.<br><b>2</b>   |  |

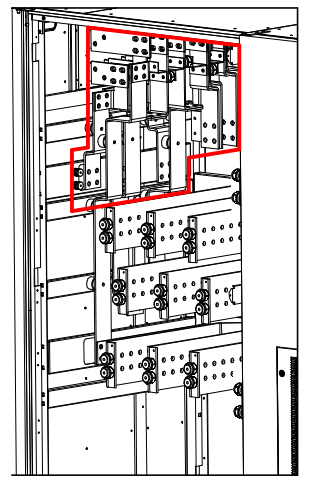


- NOTES:
1. DIMENSIONS ARE SHOWN IN INCHES" [MILLIMETERS].
  2. SIDE SPACE "1" [25] IS NOT REQUIRED WHEN SIDECARS ARE USED.
  3. CABINET SHOULD BE MAINTAINED UPRIGHT WITHIN +/- 15° DURING HANDLING.
  4. EACH BASE CHANNEL HAS 2 OR 4 x 0.8" [20] DIAMETER HOLES TO FIX UPS ON THE GROUND.
  5. LIFTING EYES OPTIONAL.
  6. APPROXIMATE WEIGHT.
- |                |                    |
|----------------|--------------------|
| UPS MODULE (1) | 5,200LBS (2,360kg) |
| UPS MODULE (2) | 3,510LBS (1,600kg) |
| BYPASS MODULE  | 2,760LBS (1,260kg) |
7. FLOOR SHALL BE FLAT AND LEVEL TO 0.3" SURROUNDING UPS MOUNTING.

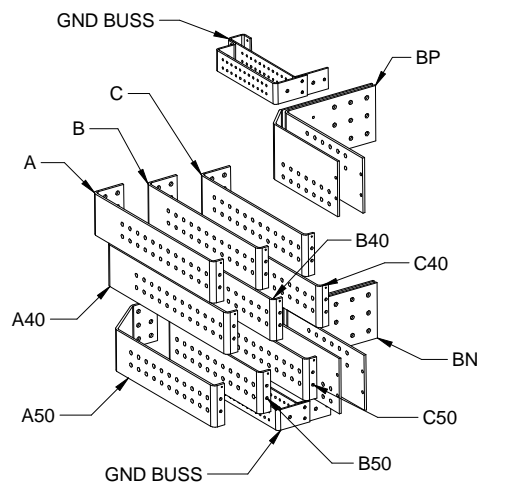


| REVISIONS   | DATE      | DESCRIPTION |
|---|-----------|-------------|
| 0. INITIAL RELEASE PER ECN 1404 Z.ZAJAC                                   | 11/5/2019 |             |
| 1. ADDED SHEET 3 BUSS DETAILS, AND OVERALL DIMENSIONS AND WEIGHTS Z.ZAJAC | 11/5/2019 |             |
| 2. UPDATED DIMENSIONS AND VIEWS FOR NEW DOOR J.PRY-SOCK                   | 2/27/20   |             |

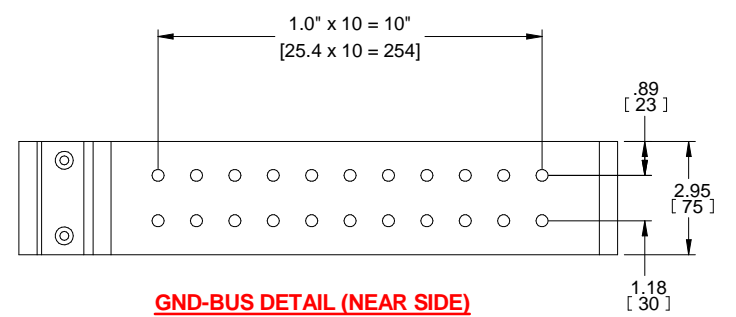
|   |                  |                      |                 |  |
|---|------------------|----------------------|-----------------|--|
| DIMENSIONS IN:<br>IN [MM] (REF)   | SCALE<br>- NTS - | DRAFTER<br>Z.ZAJAC   | DATE<br>7/18/19 |  |
| <small>PROPRIETARY</small><br><small>This document is the property of Mitsubishi Electric Power Products, Inc. and contains proprietary and confidential information which must not be duplicated, used or disclosed other than as expressly authorized by Mitsubishi Electric Power Products, Inc.</small> |                  | APPROVED<br>A.WINTER | DATE<br>7/18/19 |  |
| <small>CORE/REFERENCE DRAWING (IF APPLICABLE)</small>   |                  |                      |                 | TITLE<br>9900D 2000KVA OUTLINE DRAWING |
| DWG. NO.<br>UD-100993   |                  |                      | SHEET 2 OF 6    | REV.<br>2                              |



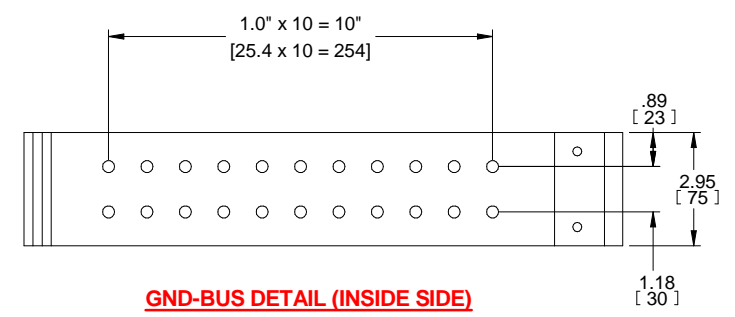
**VIEW OF BYPASS TO MODULE BUSS**



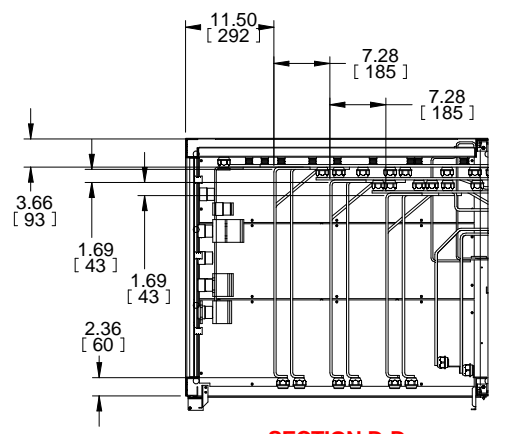
**FRONT-TOP-LEFT VIEW OF TERMINAL BUSS**



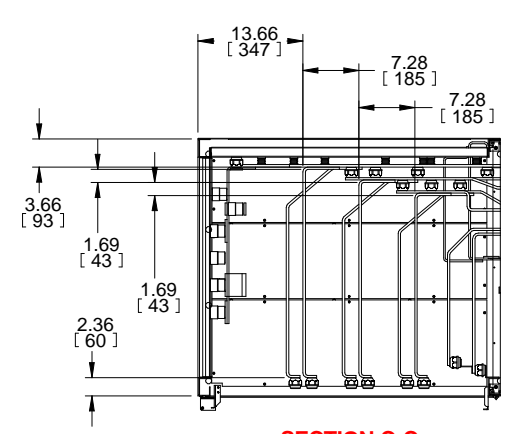
**GND-BUS DETAIL (NEAR SIDE)**



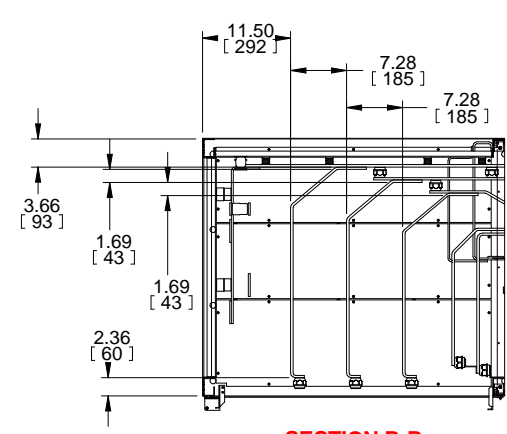
**GND-BUS DETAIL (INSIDE SIDE)**



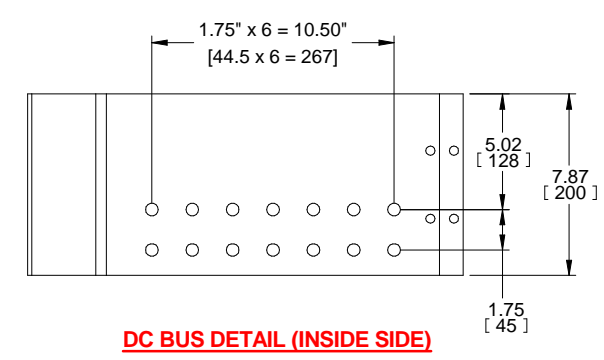
**SECTION D-D (AC BUSS)**



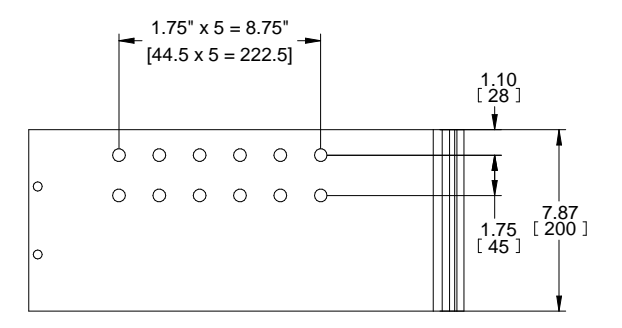
**SECTION C-C (AC BUSS)**



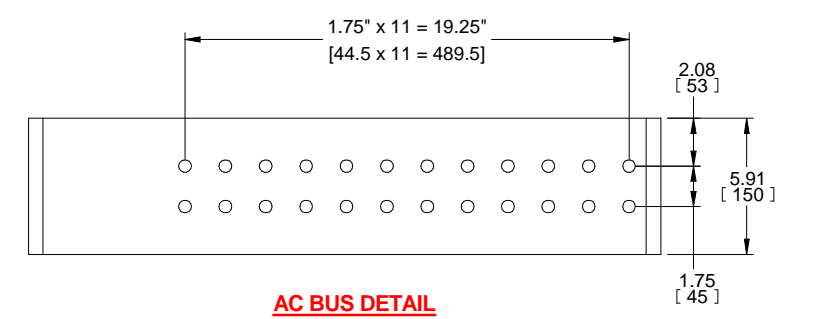
**SECTION B-B (AC BUSS)**



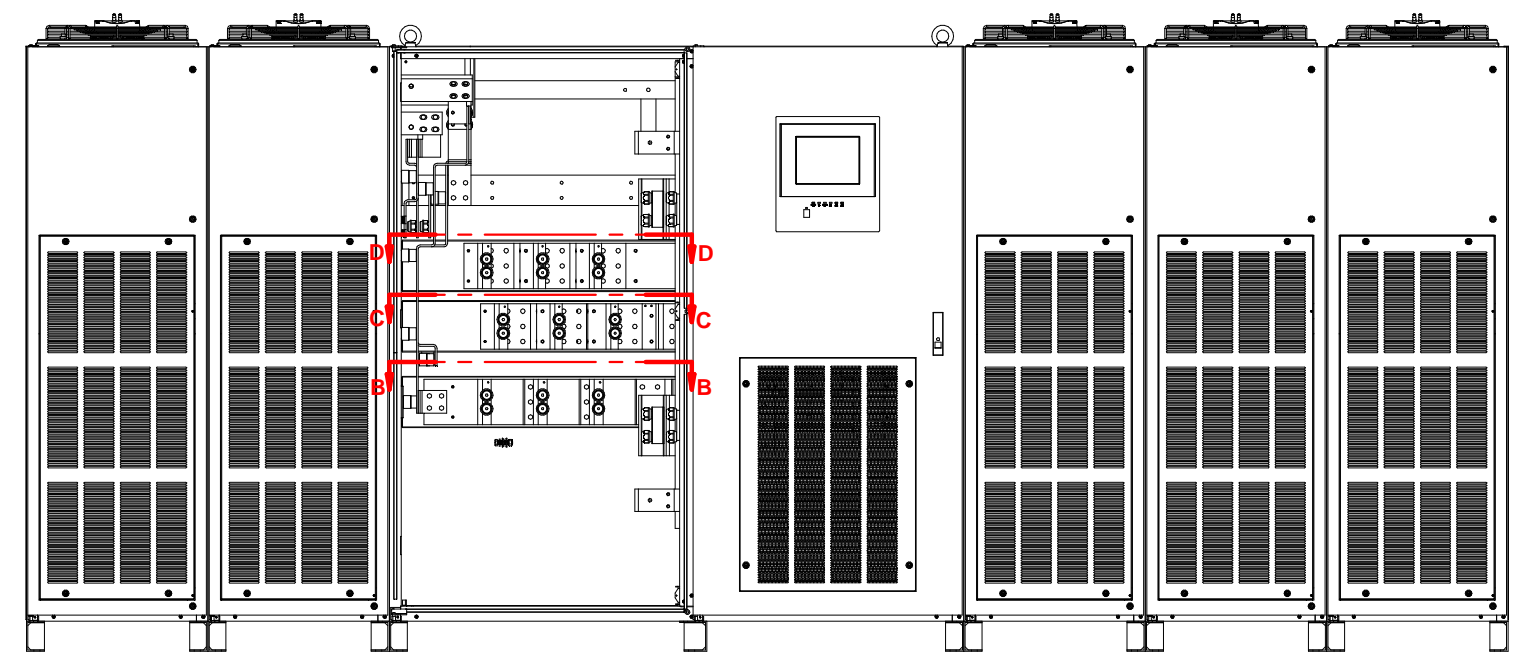
**DC BUS DETAIL (INSIDE SIDE)**



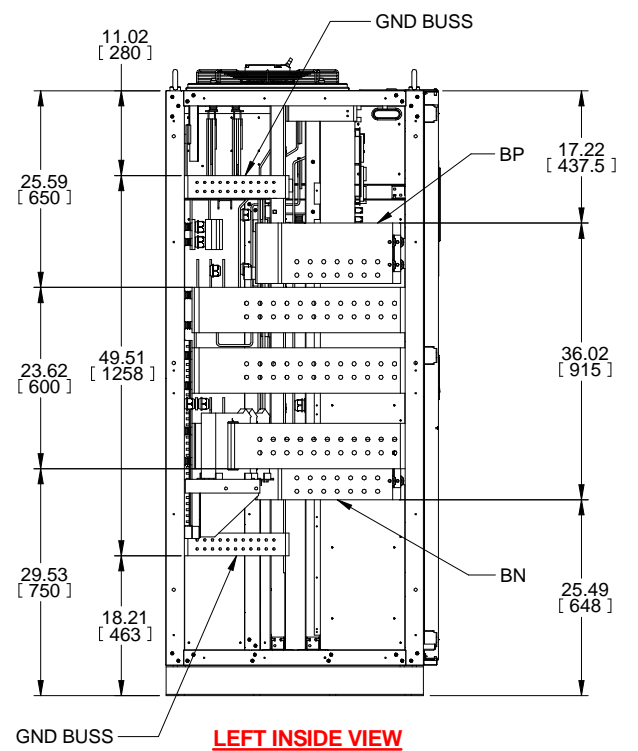
**DC BUS DETAIL (NEAR SIDE)**



**AC BUS DETAIL**



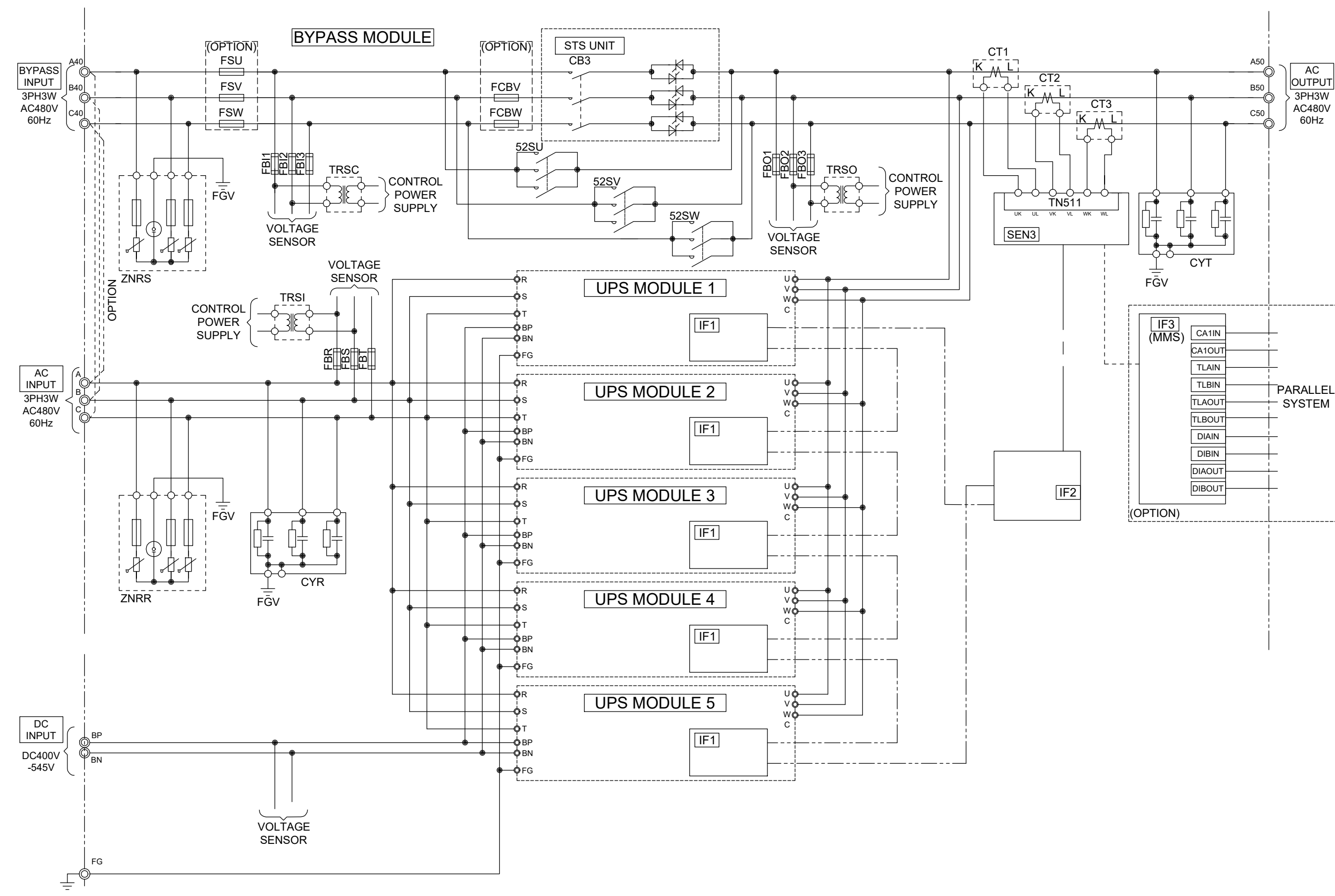
**FRONT INSIDE VIEW**



**LEFT INSIDE VIEW**

|           |   |
|-----------|---|
| REVISIONS | 0. INITIAL RELEASE PER ECN 1404 Z.ZAJAC 11/5/2019                                   |
|           | 1. ADDED SHEET 3 BUSS DETAILS, AND OVERALL DIMENSIONS AND WEIGHTS Z.ZAJAC 11/5/2019 |
|           | 2. UPDATED DIMENSIONS AND VIEWS FOR NEW DOOR J.PRY-SOCK 2/27/20                     |

|   |                  |  |                 |   |
|---|------------------|--|-----------------|---|
| DIMENSIONS IN:<br>IN [MM] (REF)   | SCALE<br>- NTS - | DRAFTER<br>Z.ZAJAC   | DATE<br>7/18/19 |   |
| <small>PROPRIETARY</small><br><small>This document is the property of Mitsubishi Electric Power Products, Inc. and contains proprietary and confidential information which must not be duplicated, used or disclosed other than as expressly authorized by Mitsubishi Electric Power Products, Inc.</small> |                  | APPROVED<br>A.WINTER   | DATE<br>7/18/19 |   |
| <small>CORE/REFERENCE DRAWING (IF APPLICABLE)</small>   |                  | <small>TITLE</small><br><b>9900D 2000KVA OUTLINE DRAWING</b> |                 | <small>DWG. NO.</small><br><b>UD-100993</b> |
|   |                  | <small>SHEET 3 OF 6</small>                                  |                 | <small>REV.</small><br><b>2</b>             |



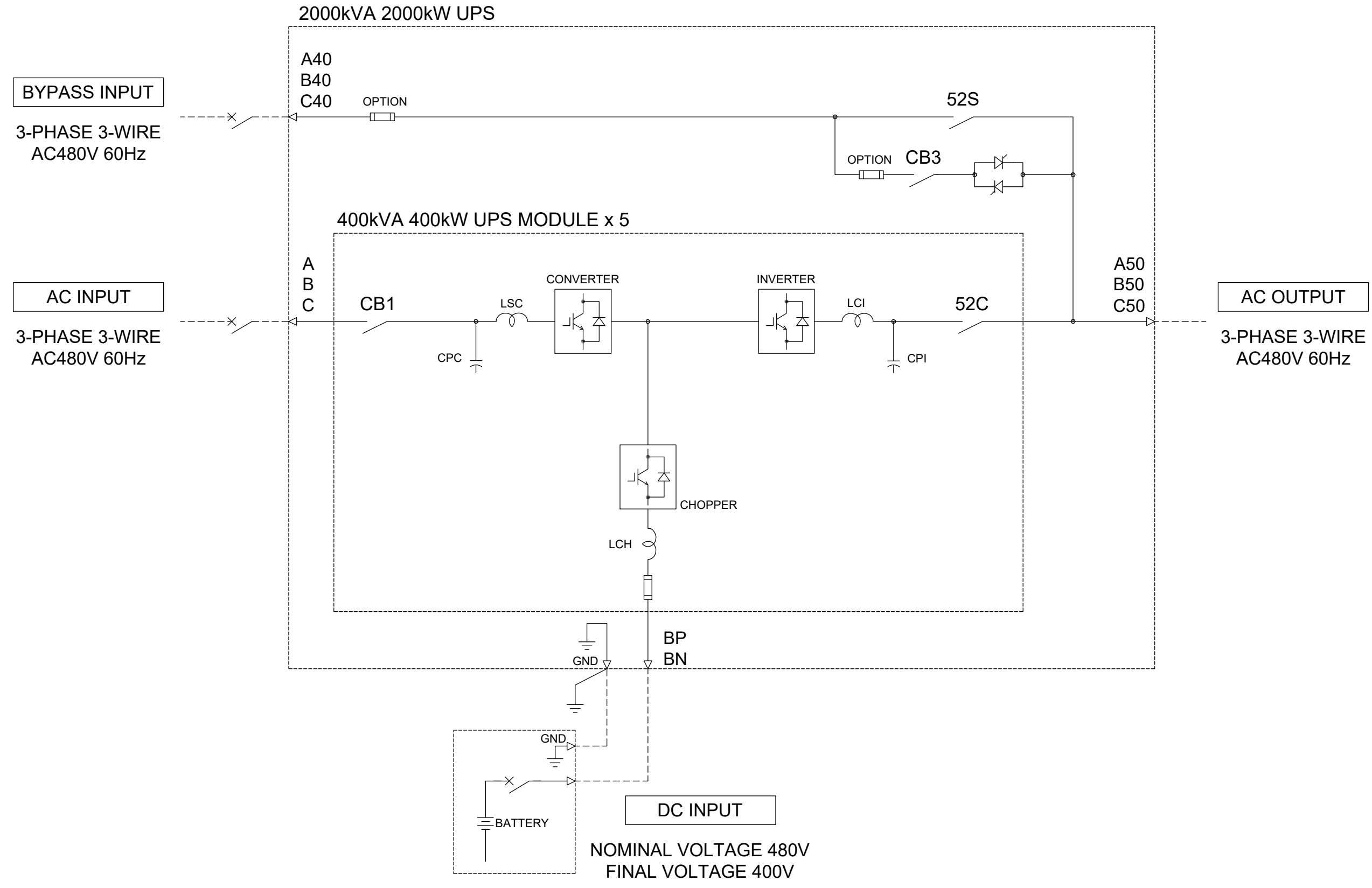
| REVISIONS  |
|--|
| 0 INITIAL RELEASE PER ECN 1404 Z.ZAJAC 7/23/2019                                   |
| 1. ADDED SHEET 3 BUSS DETAILS AND OVERALL DIMENSIONS AND WEIGHTS Z.ZAJAC 11/5/2019 |
| 2. UPDATED DIMENSIONS AND VIEWS FOR NEW DOOR J.PRY-SOCK 2/27/20                    |

|  |                |  |                 |
|--|----------------|--|-----------------|
| DIMENSIONS IN: IN [MM]   | SCALE: - NTS - | DRAFTER: Z.ZAJAC   | DATE: 7/18/2019 |
| PROPRIETARY<br><small>This document is the property of Mitsubishi Electric Power Products, Inc. and contains proprietary and confidential information which must not be duplicated, used or disclosed other than as expressly authorized by Mitsubishi Electric Power Products, Inc.</small> |                | APPROVED: N.RIEMER   | DATE: 7/18/2019 |
| CORE [REFERENCE] DRAWING   |                | TITLE: 9900D 2000KVA OUTLINE DRAWING<br>DWG. NO. SHEET 4 OF 6 REV. |                 |

**MITSUBISHI ELECTRIC**

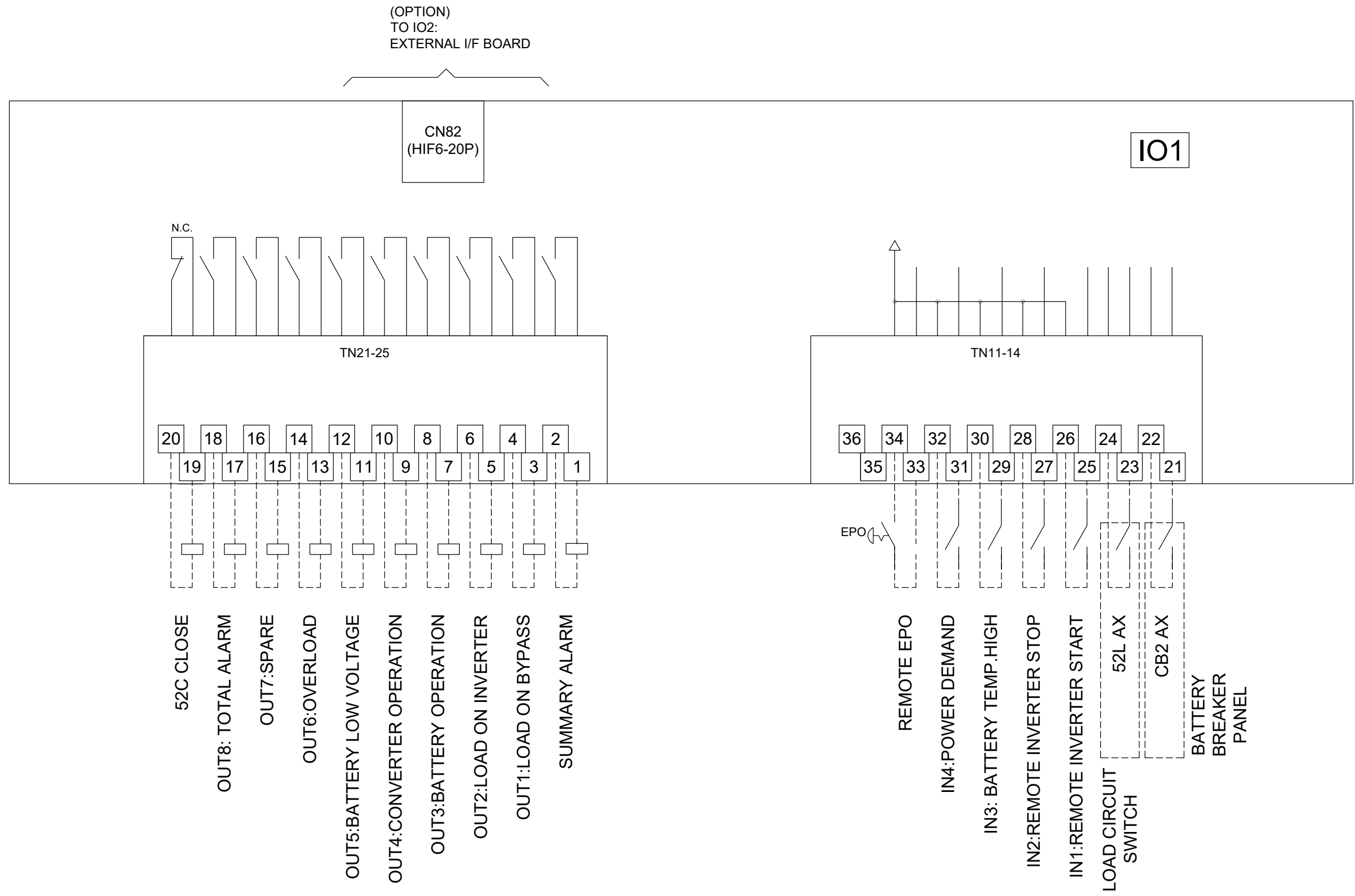
**9900D 2000KVA OUTLINE DRAWING**  
 DWG. NO. SHEET 4 OF 6 REV.

UD-100993 2



|  |
|--|
| <b>REVISIONS</b>   |
| 0 INITIAL RELEASE PER<br>ECN 1404<br>Z.ZAJAC 7/23/2019   |
| 1. ADDED SHEET 3<br>BUSS DETAILS AND<br>OVERALL DIMENSIONS<br>AND WEIGHTS<br>Z.ZAJAC 1/15/2019 |
| 2. UPDATED<br>DIMENSIONS AND<br>VIEWS FOR NEW<br>DOOR<br>J.PRY-SOCK 2/27/20                    |

|   |                  |                      |                   |  |
|---|------------------|----------------------|-------------------|--|
| DIMENSIONS IN:<br>IN [MM]   | SCALE<br>- NTS - | DRAFTER<br>Z.ZAJAC   | DATE<br>7/18/2019 | <p><b>MITSUBISHI ELECTRIC</b></p>      |
| <small>PROPRIETARY</small><br><small>This document is the property of Mitsubishi Electric Power Products, Inc. and contains proprietary and confidential information which must not be duplicated, used or disclosed other than as expressly authorized by Mitsubishi Electric Power Products, Inc.</small> |                  | APPROVED<br>N.RIEMER | DATE<br>7/18/2019 |  |
| CORE [REFERENCE] DRAWING  |                  |                      |                   | TITLE<br>9900D 2000KVA OUTLINE DRAWING |
|   |                  | DWG. NO.             |                   | SHEET 5 OF 6                           |
|   |                  | UD-100993            |                   | REV.<br>2                              |



| REVISIONS   |
|---|
| 0: INITIAL RELEASE PER ECN 1404 Z.ZAJAC 7/23/2019 |

|  |
|--|
| 1: ADDED SHEET 3 BUSS DETAILS AND OVERALL DIMENSIONS AND WEIGHTS Z.ZAJAC 1/15/2019 |
| 2: UPDATED DIMENSIONS AND VIEWS FOR NEW DOOR J.PRY-SOCK 2/27/20                    |

|   |               |                          |                |  |
|---|---------------|--------------------------|----------------|--|
| DIMENSIONS IN: IN [MM]  | SCALE - NTS - | DRAFTER Z.ZAJAC          | DATE 7/18/2019 | <p><b>MITSUBISHI ELECTRIC</b></p>  |
| <small>PROPRIETARY</small><br><small>This document is the property of Mitsubishi Electric Power Products, Inc. and contains proprietary and confidential information which must not be duplicated, used or disclosed other than as expressly authorized by Mitsubishi Electric Power Products, Inc.</small> |               |                          |                |  |
|   |               | APPROVED N.RIEMER        | DATE 7/18/2019 |  |
|   |               | CORE [REFERENCE] DRAWING |                | TITLE<br>9900D 2000KVA OUTLINE DRAWING<br>DWG. NO. UD-100993 SHEET 6 OF 6 REV. 2 |