

# MITSUBISHI 9900D 1.5/1.6MVA UPS OUTLINE DRAWING

CUSTOMER -

PROJECT NUMBER -

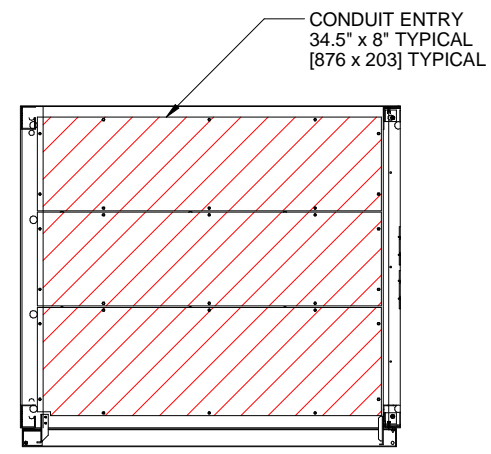
PROJECT LOCATION -

## TABLE OF CONTENTS

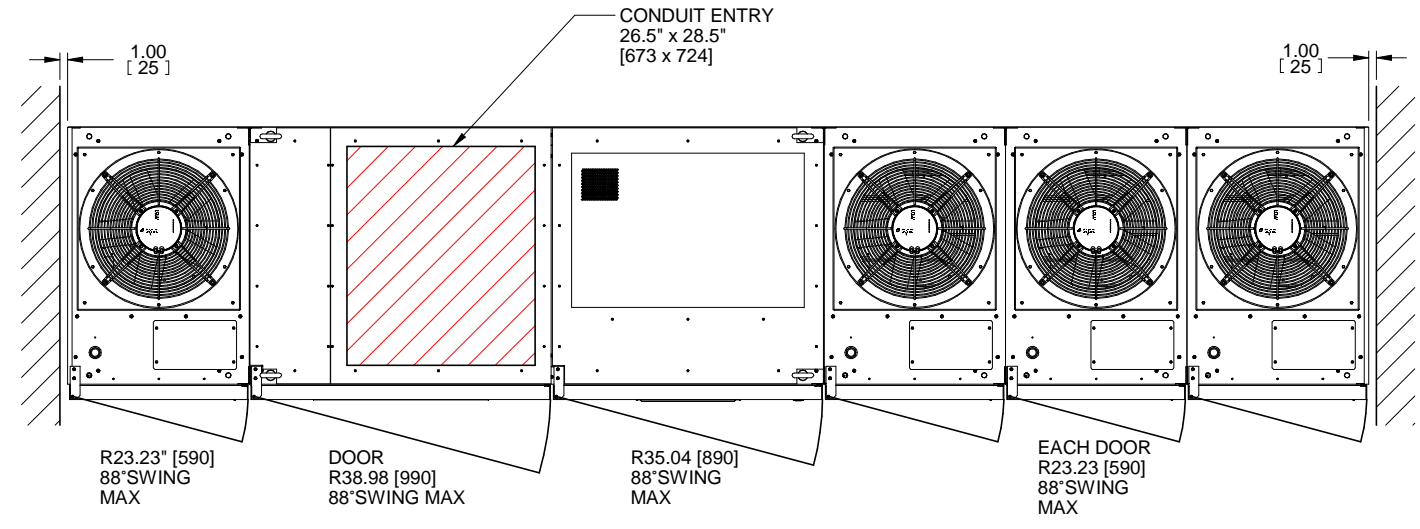
SHEET NO.	TITLE
01	COVER SHEET
02	OUTLINE
03	BUS CONNECTIONS
04	SYSTEM CONFIGURATION
05	SINGLE LINE
06	SINGLE LINE
07	
08	
09	
10	
11	
12	
13	
14	
15	

REVISIONS  
 0. INITIAL RELEASE  
 Z.ZAJAC 11/25/19  
 2. CHANGED TITLE  
 TO 1.5/1.6MVA  
 Z.ZAJAC 12/11/19  
 3. UPDATED  
 DIMENSIONS AND  
 VIEWS FOR NEW  
 DOOR  
 J.PRY-SOCK 2/27/20

DIMENSIONS IN: IN [MM] (REF)	SCALE - NTS -	DRAFTER Z.ZAJAC	DATE 11/25/19	 <b>MITSUBISHI ELECTRIC</b>
<small>PROPRIETARY</small> <small>This document is the property of Mitsubishi Electric Power Products, Inc. and contains proprietary and confidential information which must not be duplicated, used or disclosed other than as expressly authorized by Mitsubishi Electric Power Products, Inc.</small>		APPROVED A.WINTER	DATE 11/25/19	
				TITLE 9900D 1.5/1.6MVA OUTLINE DRAWING
		CORE/REFERENCE DRAWING (IF APPLICABLE)		DWG. NO. <b>UD-101107</b>
				SHEET 1 OF 6 REV. <b>3</b>



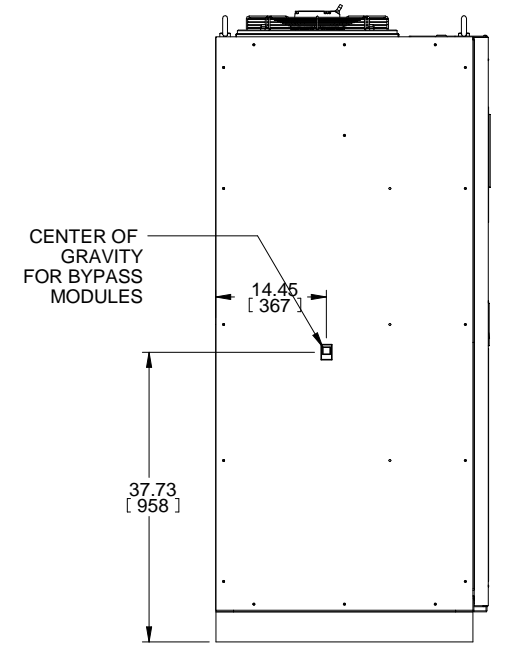
**SECTION A-A**  
**BOTTOM CONDUIT ENTRY**



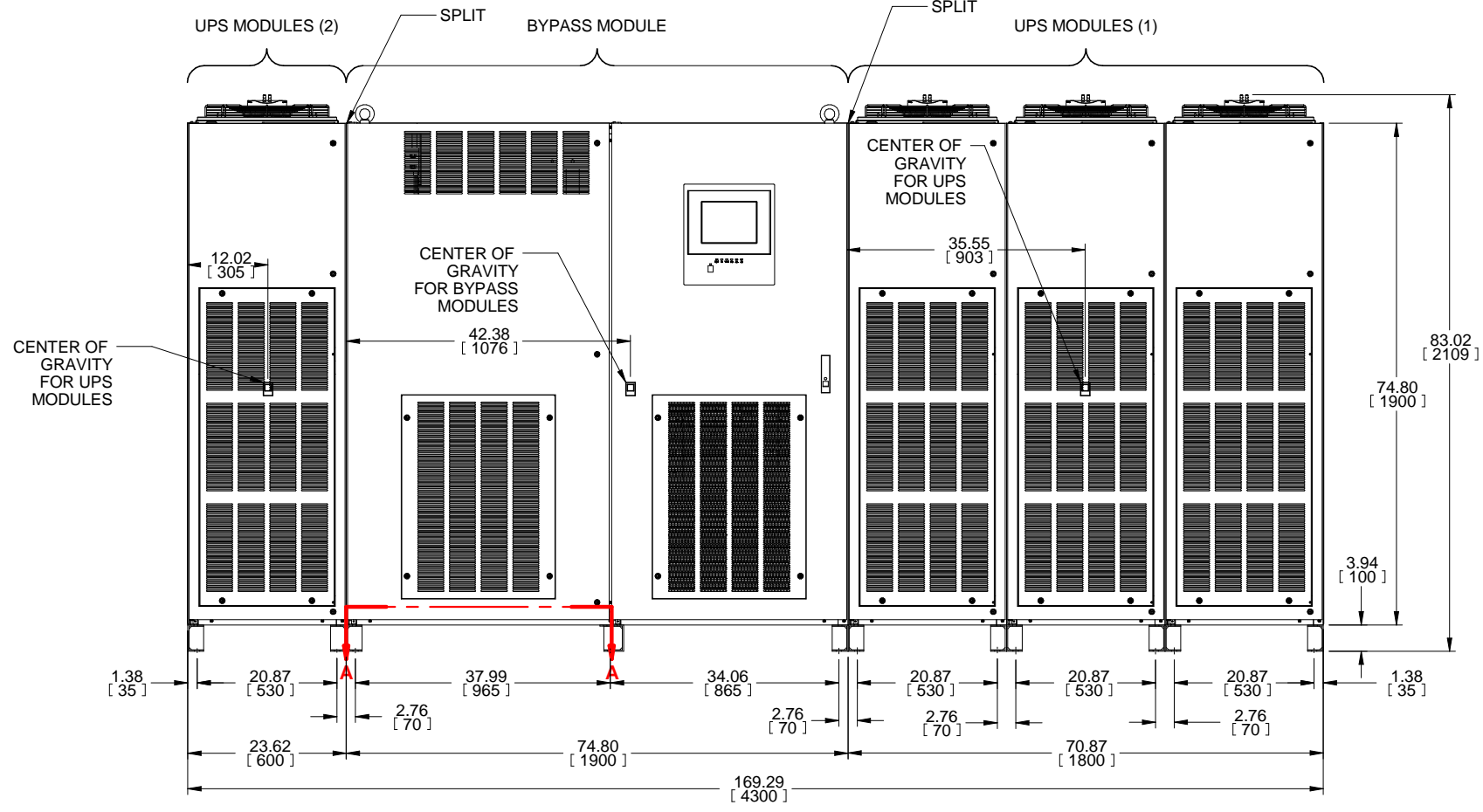
**TOP VIEW**

**NOTES:**

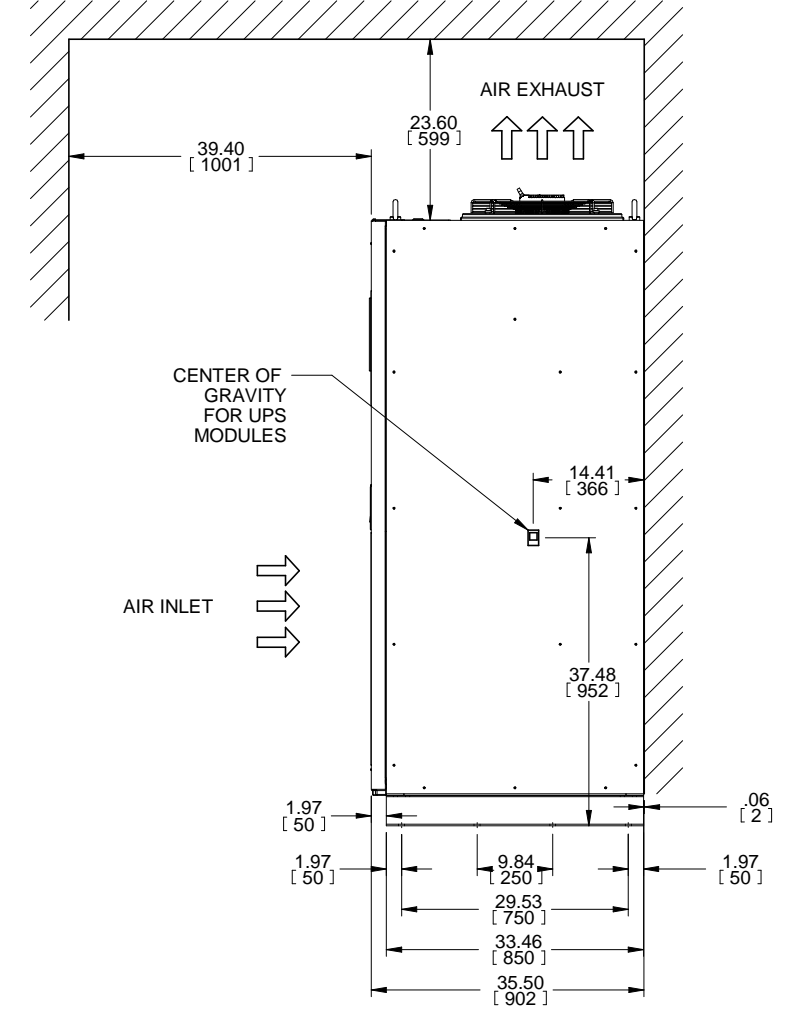
1. DIMENSIONS ARE SHOWN IN INCHES [MILLIMETERS].
  2. SIDE SPACE 1" [25] IS NOT REQUIRED WHEN SIDECARS ARE USED.
  3. CABINET SHOULD BE MAINTAINED UPRIGHT WITHIN +/- 15° DURING HANDLING.
  4. EACH BASE CHANNEL HAS 2 OR 4 x 0.8" [20] DIAMETER HOLES TO FIX UPS ON THE GROUND.
  5. LIFTING EYES OPTIONAL.
  6. APPROXIMATE WEIGHT.
- |                |                    |
|----------------|--------------------|
| UPS MODULE (1) | 5,200LBS (2,360kg) |
| UPS MODULE (2) | 1,790LBS (820kg)   |
| BYPASS MODULE  | 2,700LBS (1,260kg) |
7. FLOOR SHALL BE FLAT AND LEVEL TO 0.3" SURROUNDING UPS MOUNTING.



**LEFT SIDE VIEW**



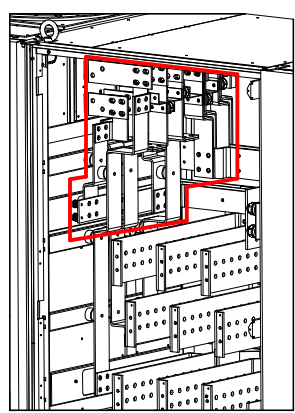
**FRONT VIEW**



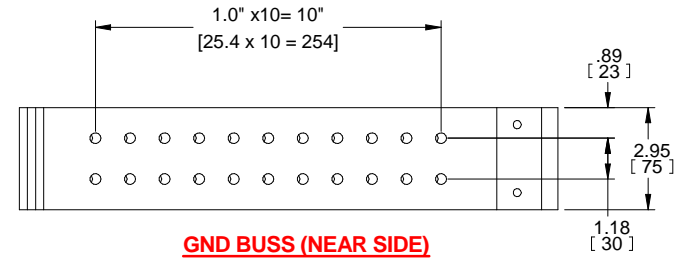
**RIGHT SIDE VIEW**

REVISIONS	DATE	DESCRIPTION
0. INITIAL RELEASE	Z.ZAJAC 11/25/19	
2. CHANGED TITLE TO 1.5/1.6MVA	Z.ZAJAC 12/11/19	
3. UPDATED DIMENSIONS AND VIEWS FOR NEW DOOR	J.PRY-SOCK 2/27/20	

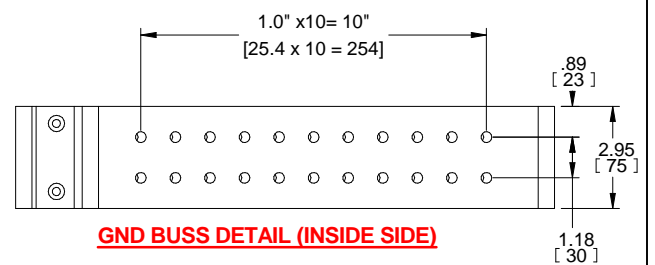
DIMENSIONS IN: IN [MM] (REF)	SCALE - NTS -	DRAFTER Z.ZAJAC	DATE 11/25/19	<p><b>MITSUBISHI ELECTRIC</b></p>
PROPRIETARY This document is the property of Mitsubishi Electric Power Products, Inc. and contains proprietary and confidential information which must not be duplicated, used or disclosed other than as expressly authorized by Mitsubishi Electric Power Products, Inc.				
APPROVED A.WINTER		DATE 11/25/19		TITLE 9900D 1.5/1.6MVA OUTLINE DRAWING
CORE/REFERENCE DRAWING (IF APPLICABLE)		DWG. NO. UD-101107	SHEET 2 OF 6	REV. 3



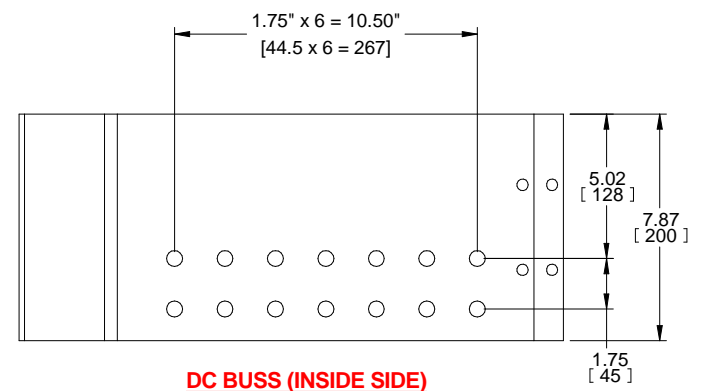
**VIEW OF BYPASS TO MODULE BUSS**



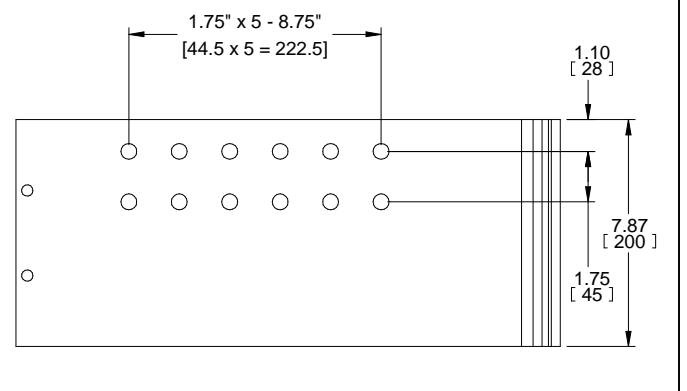
**GND BUSS (NEAR SIDE)**



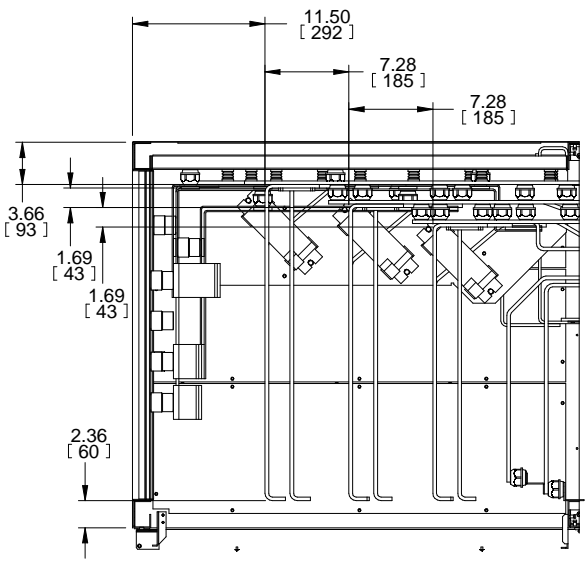
**GND BUSS DETAIL (INSIDE SIDE)**



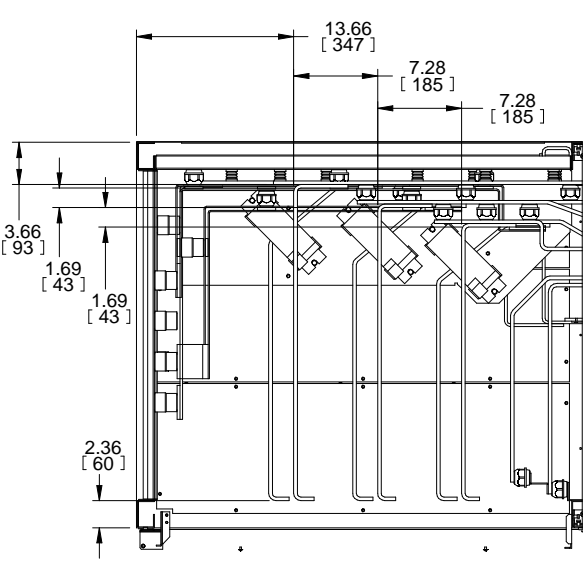
**DC BUSS (INSIDE SIDE)**



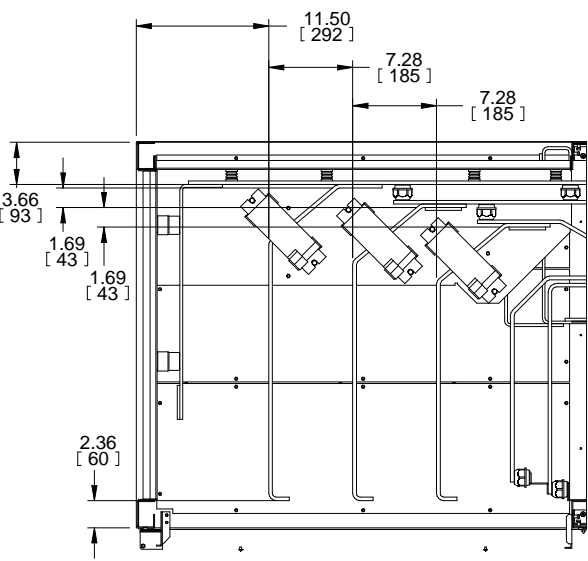
**DC BUSS (NEAR SIDE)**



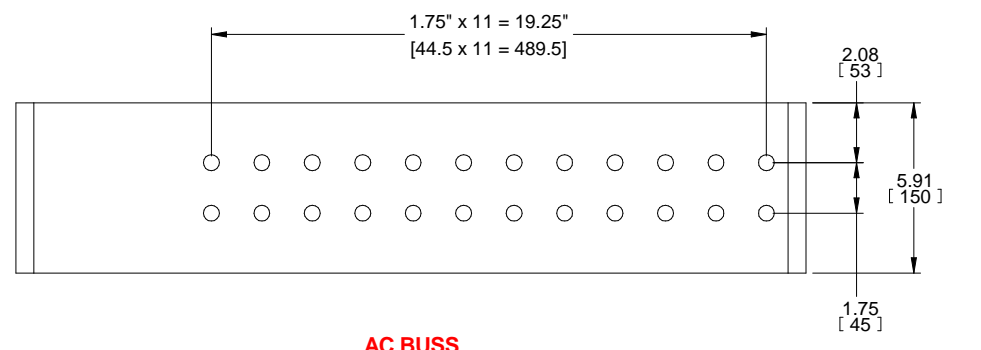
**SECTION D-D**



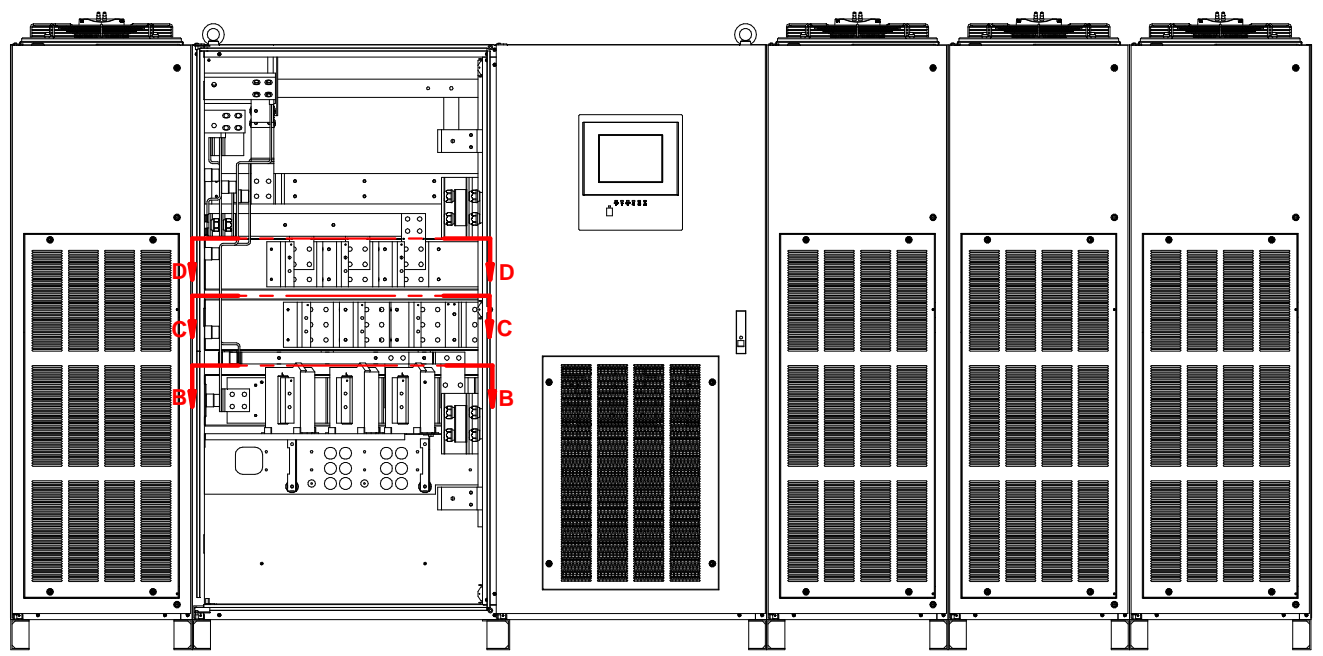
**SECTION C-C**



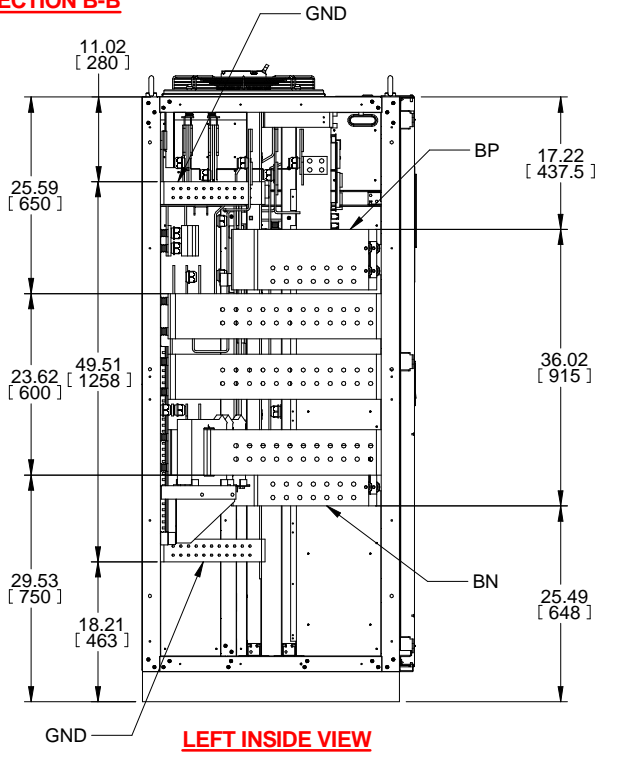
**SECTION B-B**



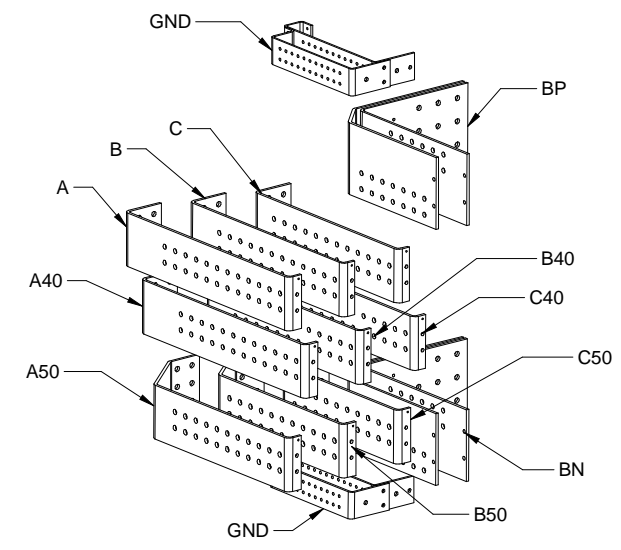
**AC BUSS**



**FRONT INSIDE VIEW**



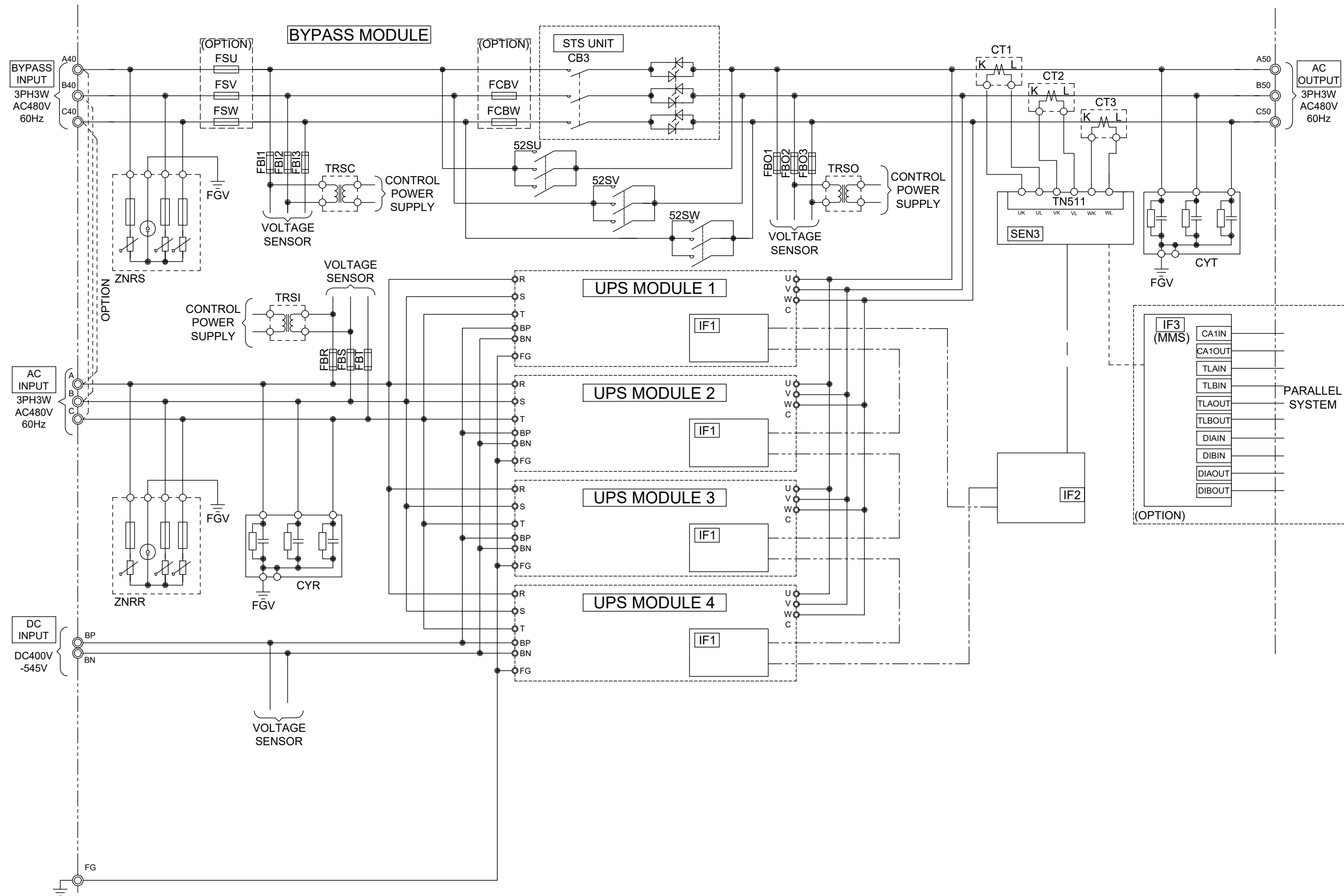
**LEFT INSIDE VIEW**



**FRONT-TOP-LEFT VIEW OF TERMINAL BUSS**

REVISIONS	0. INITIAL RELEASE Z.ZAJAC 11/25/19
	2. CHANGED TITLE TO 1.5/1.6MVA Z.ZAJAC 12/11/19
	3. UPDATED DIMENSIONS AND VIEWS FOR NEW DOOR J.PRY-SOCK 2/27/20

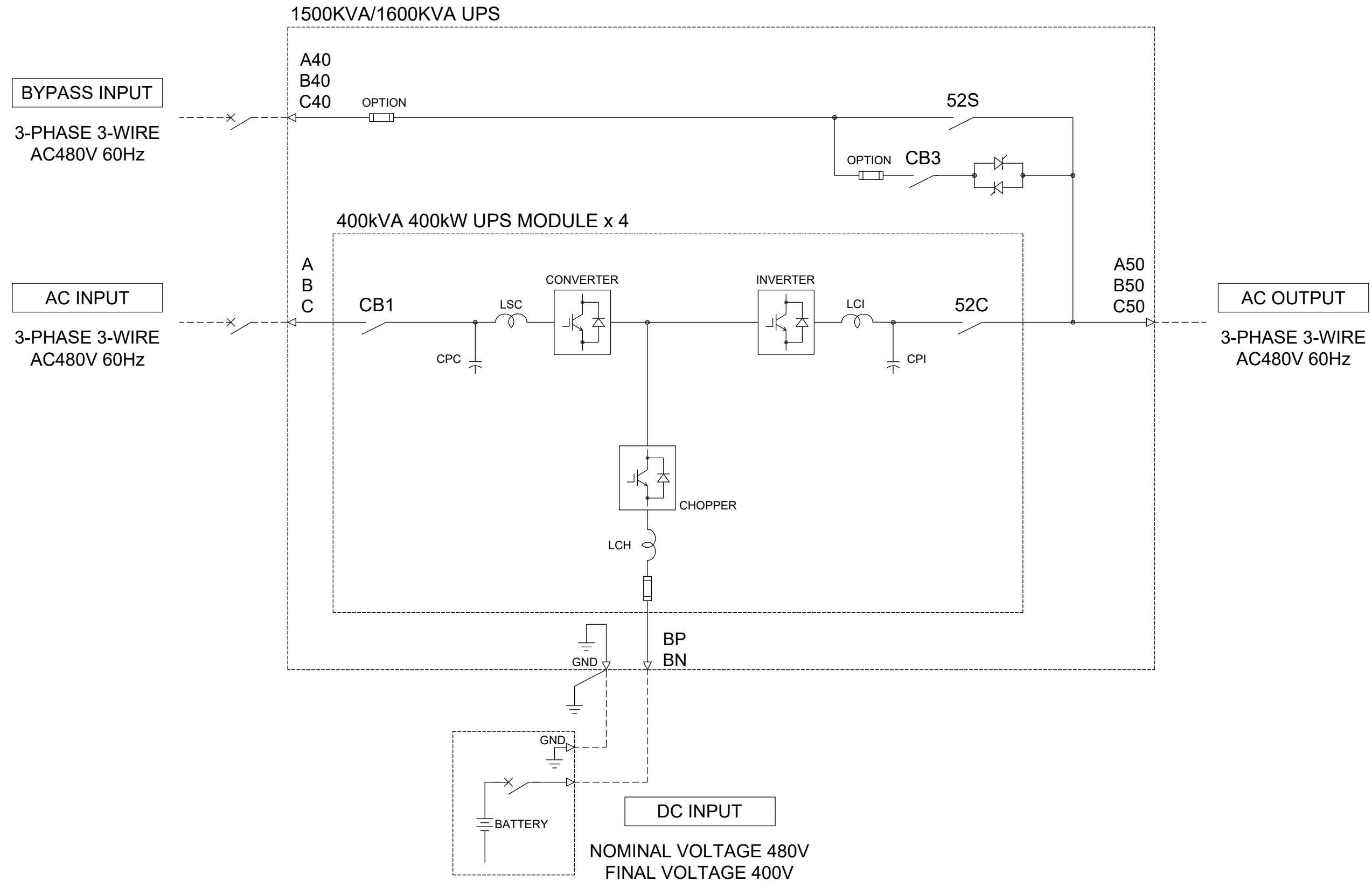
DIMENSIONS IN: IN [MM] (REF)	SCALE - NTS -	DRAFTER Z.ZAJAC	DATE 11/25/19	<b>MITSUBISHI ELECTRIC</b>
<small>PROPRIETARY</small> <small>This document is the property of Mitsubishi Electric Power Products, Inc. and contains proprietary and confidential information which must not be duplicated, used or disclosed other than as expressly authorized by Mitsubishi Electric Power Products, Inc.</small>		APPROVED A.WINTER	DATE 11/25/19	
<small>CORE/REFERENCE DRAWING (IF APPLICABLE)</small>		<small>TITLE</small> <b>9900D 1.5/1.6MVA OUTLINE DRAWING</b>		<small>SHEET 3 OF 6</small> <b>UD-101107</b>
		<small>REV.</small> <b>3</b>		



**REVISIONS**

0. INITIAL RELEASE Z.ZAJAC 11/25/2019
2. CHANGED TITLE TO 1.5/1.6MVA Z.ZAJAC 12/11/2019
3. UPDATED DIMENSIONS AND VIEWS FOR NEW DOOR J.PRY-SOCK 2/27/20

DIMENSIONS IN: IN [MM]	SCALE - NTS -	DRAFTER Z.ZAJAC	DATE 11/25/2019	<p><b>MITSUBISHI ELECTRIC</b></p>
<p>PROPRIETARY</p> <small>This document is the property of Mitsubishi Electric Power Products, Inc. and contains proprietary and confidential information which must not be duplicated, used or disclosed other than as expressly authorized by Mitsubishi Electric Power Products, Inc.</small>		APPROVED A.WINTER	DATE 11/25/2019	
CORE [REFERENCE] DRAWING				<p>TITLE</p> <p>9900D 1.5/1.6MVA OUTLINE DRAWING</p>
				<p>DWG. NO. SHEET 4 OF 6 REV.</p> <p><b>UD-101107 3</b></p>

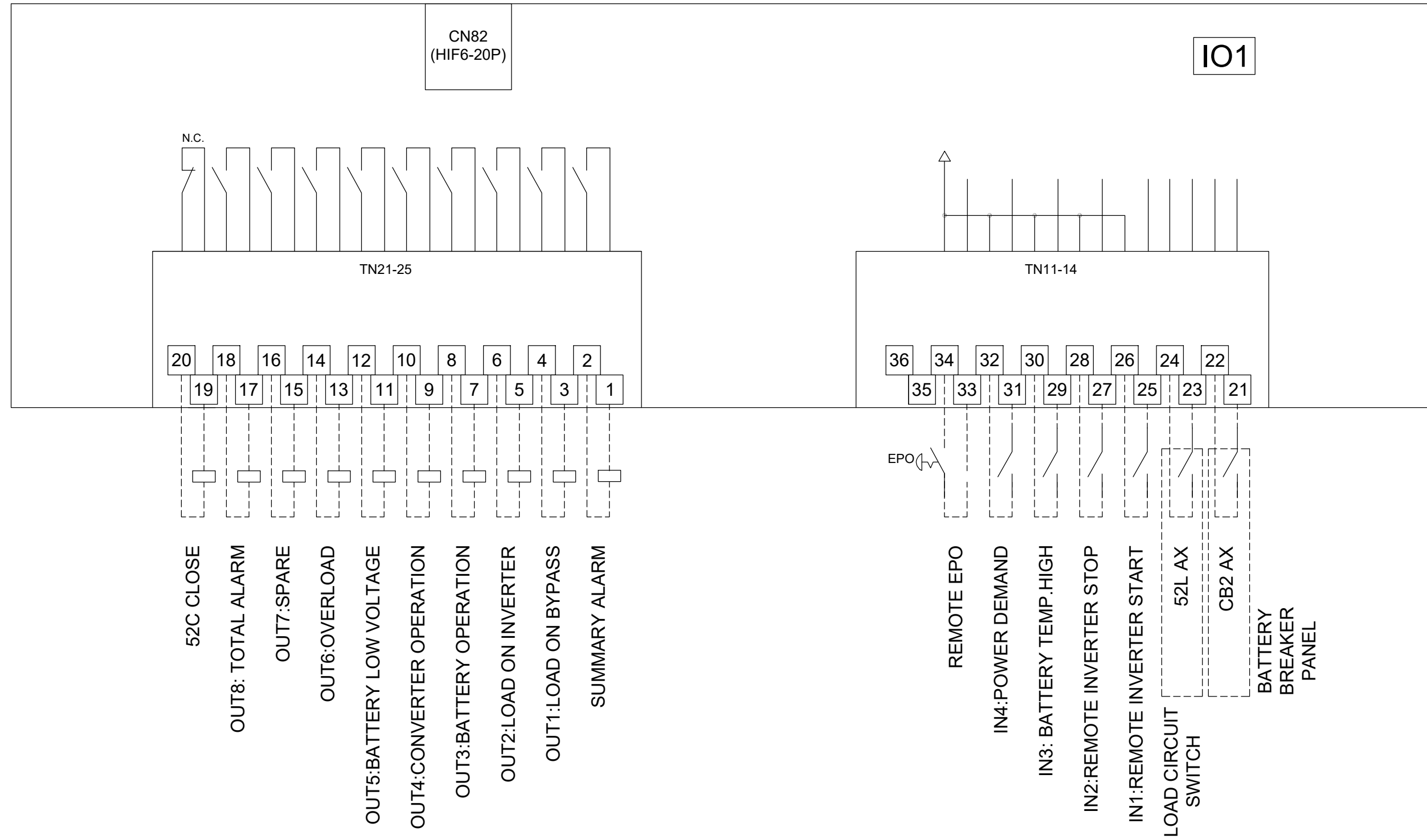


**REVISIONS**

- INITIAL RELEASE  
ZZAJAC 11/25/2019
- CHANGED TITLE TO  
1.5/1.6MVA  
ZZAJAC 12/11/2019
- UPDATED  
DIMENSIONS AND  
VIEWS FOR NEW  
DOOR  
J.PRY-SOCK 2/27/20

DIMENSIONS IN: IN [MM]	SCALE - NTS -	DRAFTER Z.ZAJAC	DATE 11/25/2019	<p><b>MITSUBISHI ELECTRIC</b></p>
<small>PROPRIETARY</small> <small>This document is the property of Mitsubishi Electric Power Products, Inc. and contains proprietary and confidential information which must not be duplicated, used or disclosed other than as expressly authorized by Mitsubishi Electric Power Products, Inc.</small>		APPROVED A.WINTER	DATE 11/25/2019	
CORE [REFERENCE] DRAWING		<p>TITLE 9900D 1.5/1.6MVA OUTLINE DRAWING</p>		
DWG. NO. <b>UD-101107</b>		SHEET 5 OF 6		REV. <b>3</b>

(OPTION)  
TO IO2:  
EXTERNAL I/F BOARD



**REVISIONS**

0. INITIAL RELEASE ZZAJAC 11/25/2019
1. CHANGED TITLE TO 1.5/1.6MVA ZZAJAC 12/11/2019
2. UPDATED DIMENSIONS AND VIEWS FOR NEW DOOR J.PRY-SOCK 2/27/20

DIMENSIONS IN: IN [MM]	SCALE - NTS -	DRAFTER Z.ZAJAC	DATE 11/25/2019	<p><b>MITSUBISHI ELECTRIC</b></p>
<small>PROPRIETARY This document is the property of Mitsubishi Electric Power Products, Inc. and contains proprietary and confidential information which must not be duplicated, used or disclosed other than as expressly authorized by Mitsubishi Electric Power Products, Inc.</small>		APPROVED A.WINTER	DATE 11/25/2019	
CORE [REFERENCE] DRAWING				
TITLE 9900D 1.5/1.6MVA OUTLINE DRAWING		DWG. NO. <b>UD-101107</b>	SHEET 6 OF 6	REV. <b>3</b>