

# MITSUBISHI 9900CX 1050kVA UPS DIRECT CABLE CONFIGURATION

CUSTOMER -  
PROJECT NUMBER -  
PROJECT LOCATION -

### TABLE OF CONTENTS

SHEET NO.	TITLE
01	COVER SHEET
02	OUTLINE
03	BUSS CONNECTIONS
04	SYSTEM CONFIGURATION
05	BUSS CONNECTIONS (OPTIONAL)
06	SINGLE LINE
07	SINGLE LINE
08	
09	
10	
11	
12	
13	
14	
15	

**REVISIONS**

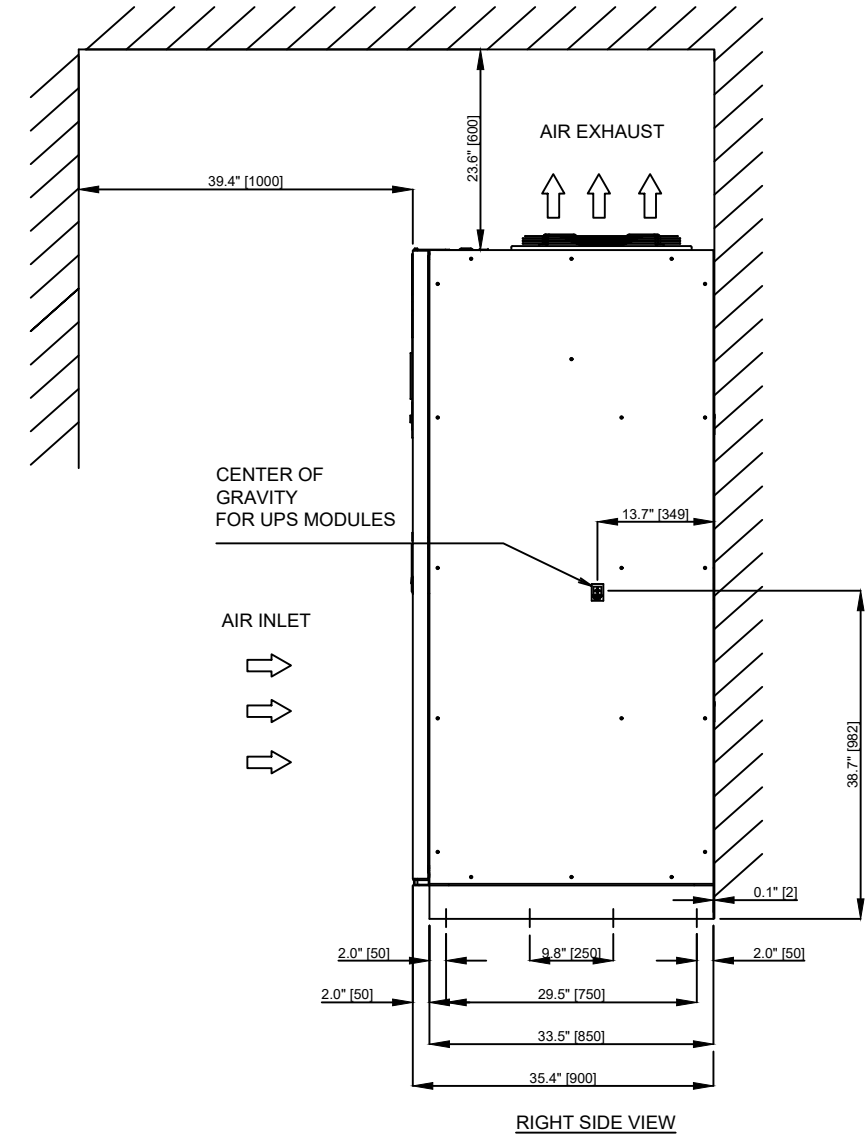
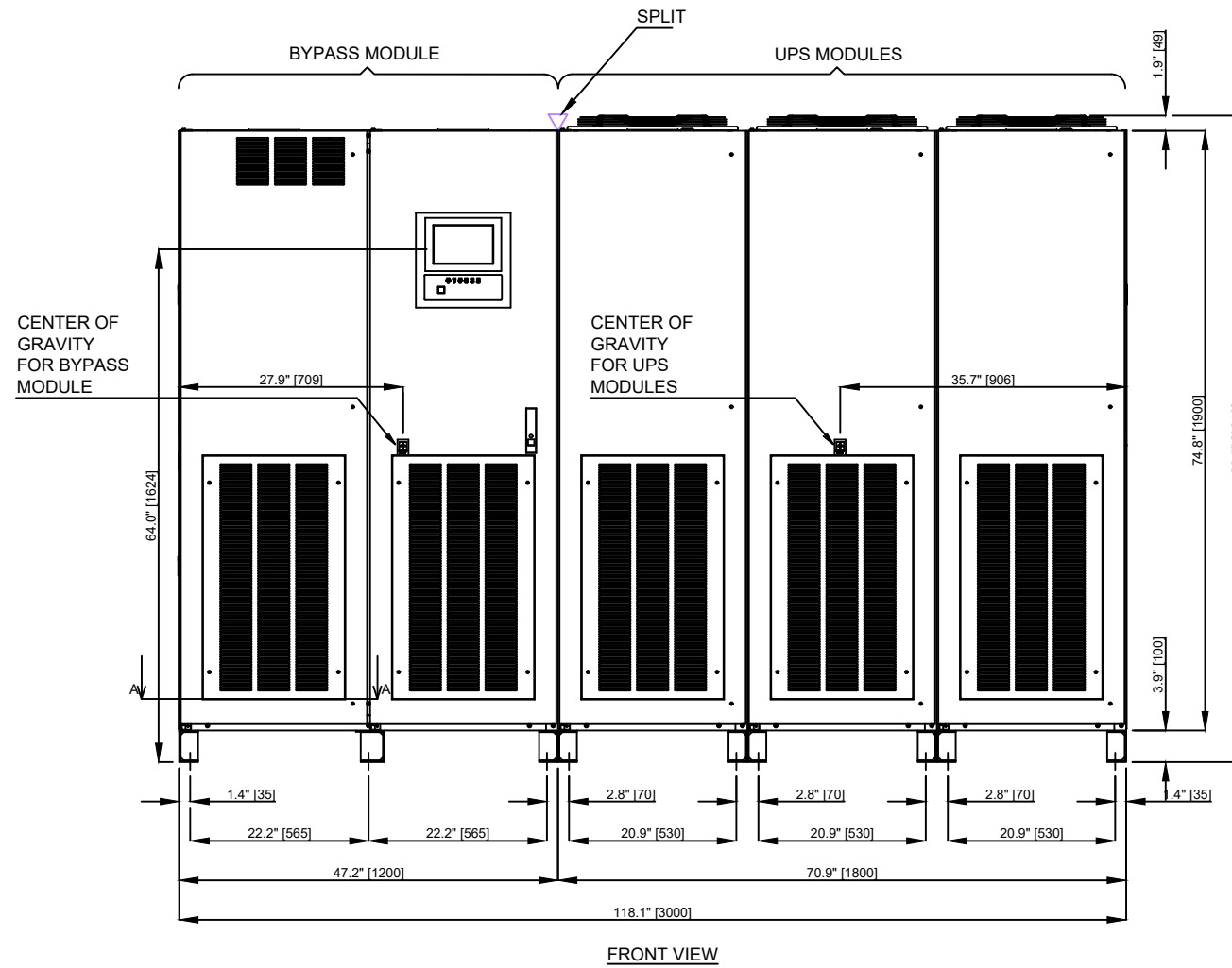
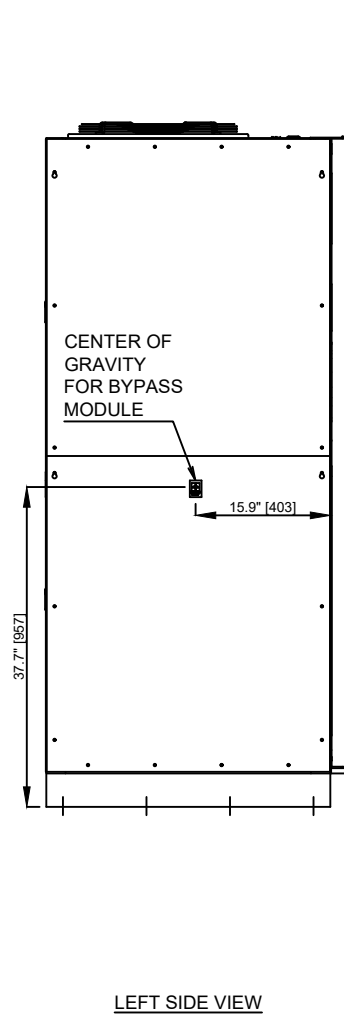
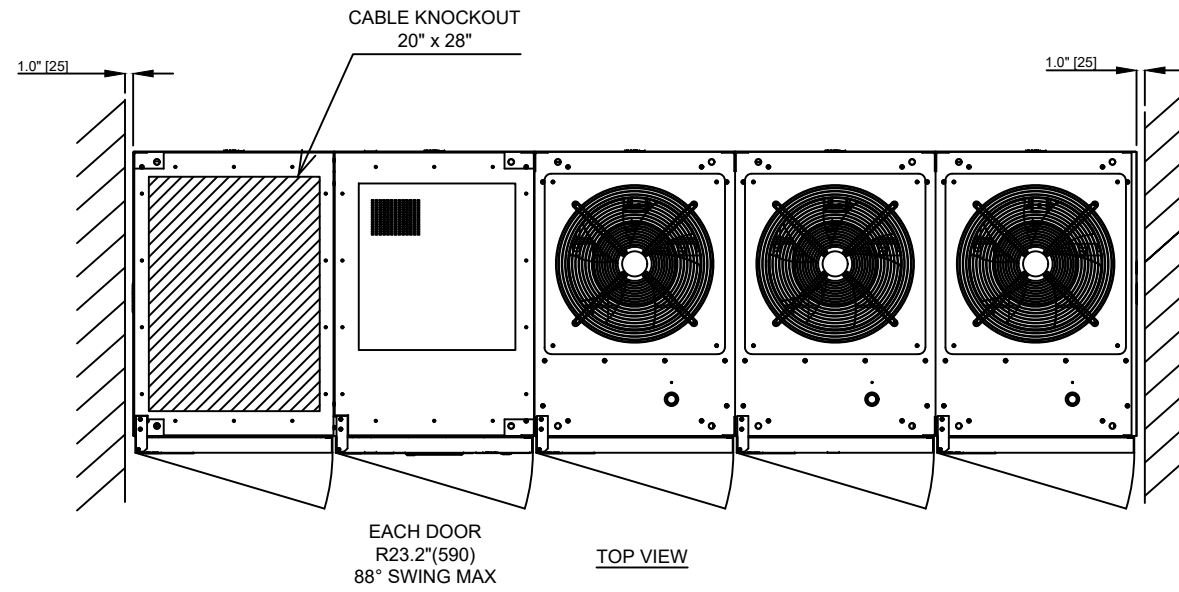
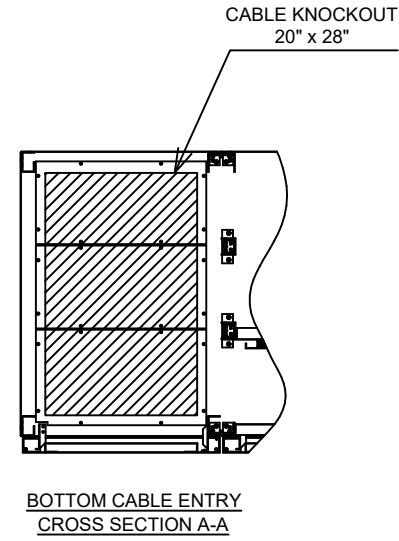
- 0. INITIAL RELEASE PER ECN 1316 ZZAJAC 9/29/2019
- 1. ADDED CONDUIT ENTRY TO SHEET 2; UPDATED PER ECN 1327 ZZAJAC 6/5/2019
- 2. ADDED TYPE, RATING, AND HEAT REJECTION; UPDATED PER ECN 1370 ZZAJAC 7/11/2019
- 3. MODIFIED HMI ON SHEET 2 ZZAJAC 4/17/2020
- 4. ADDED NOTES FOR 100.000.474 INSTALLATION REF. UD-100373. J.MOTT 8/14/2020
- 5. UPDATED FOR CRYSTAL PANEL ON BIPASS MODULE J.PRY-SOCK 2/12/2020

DIMENSIONS IN: IN [MM]	SCALE - NTS -	DRAFTER Z.ZAJAC	DATE 5/29/2019	 <b>MITSUBISHI ELECTRIC</b>
<small>PROPRIETARY</small> <small>This document is the property of Mitsubishi Electric Power Products, Inc. and contains proprietary and confidential information which must not be duplicated, used or disclosed other than as expressly authorized by Mitsubishi Electric Power Products, Inc.</small>		APPROVED N.RIEMER	DATE 5/29/2019	
			<b>OUTLINE</b> <b>9900CX 1050KVA</b>	
CORE [REFERENCE] DRAWING		DWG. NO.	SHEET 1 OF 7	REV.
<b>UD-100968</b>		<b>UD-100968</b>	<b>5</b>	

NOTES

1. DIMENSIONS ARE SHOWN IN INCHES\* [MILLIMETERS].
2. SIDE SPACE '1" [25]' IS NOT REQUIRED WHEN SIDECARS ARE USED.
3. CABINET SHOULD BE MAINTAINED UPRIGHT WITHIN ±15° DURING HANDLING.
4. EACH BASE HAS 2 OR 4 x 0.8" [20] DIAMETER HOLES TO FIX UPS ON THE GROUND.
5. APPROXIMATE WEIGHT  
 UPS MODULES 4,960LBS (2,250kg)  
 BYPASS MODULE 1,653LBS (750kg)

TYPE: 9900CX  
 RATING: 1050KVA  
 HEAT REJECTION: 112.6kBTUs/HOUR (TYPICAL)



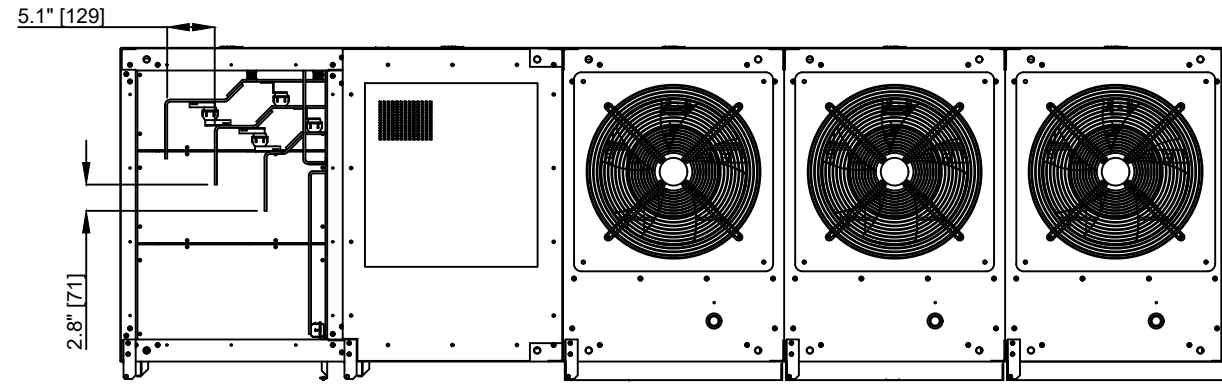
REVISIONS

0. INITIAL RELEASE PER ECN 1315 ZZAJAC 5/29/2019
1. ADDED CONDUIT ENTRY TO SHEET 2, UPDATED PER ECN 1327 ZZAJAC 6/5/2019
2. ADDED TYPE, RATING, AND HEAT REJECTION, UPDATED PER ECN 1370 ZZAJAC 7/11/2019
3. MODIFIED HMI ON SHEET 2 ZZAJAC 4/17/2020
4. ADDED NOTES FOR 100.000.474 INSTALLATION REF. UD-1000373. J.MOTT 8/14/2020
5. UPDATED FOR CREATING TOP PANEL ON BYPASS MODULE J.PRY-SOCK 2/12/2020

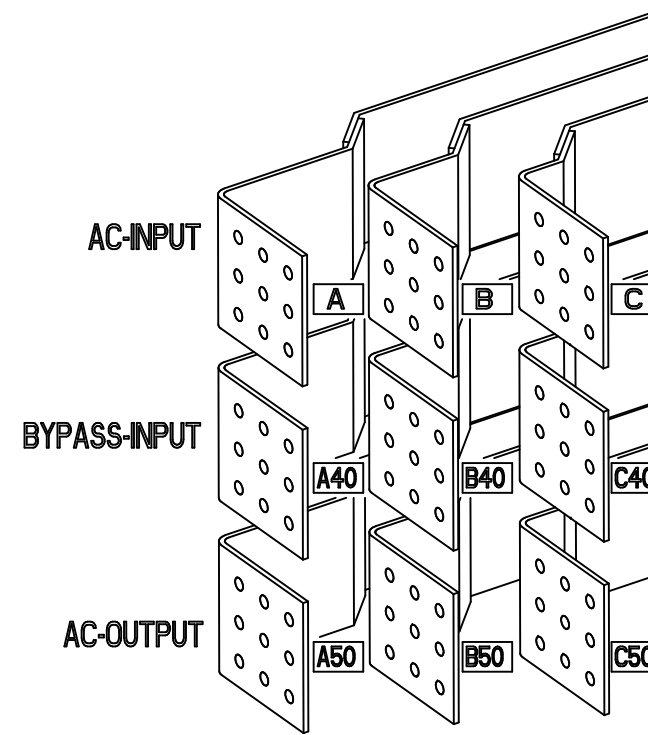
DIMENSIONS IN: IN [MM]	SCALE - NTS -	DRAFTER Z.ZAJAC	DATE 5/29/2019	<p><b>MITSUBISHI ELECTRIC</b></p>
PROPRIETARY <small>This document is the property of Mitsubishi Electric Power Products, Inc. and contains proprietary and confidential information which must not be duplicated, used or disclosed other than as expressly authorized by Mitsubishi Electric Power Products, Inc.</small>		APPROVED N.RIEMER	DATE 5/29/2019	
CORE [REFERENCE] DRAWING		DWG. NO. UD-100968		SHEET 2 OF 7 REV. 5

NOTES

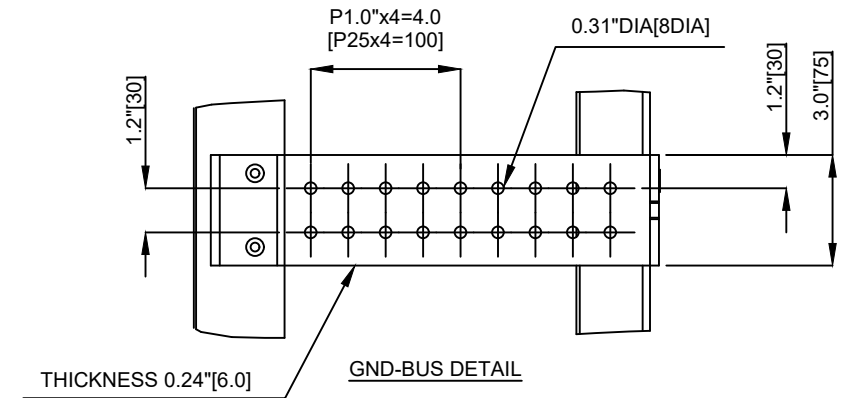
- EXTERNAL WIRES OR CABLES SHALL BE PROVIDED BY CUSTOMERS FOR AC-INPUT, DC-INPUT, BYPASS-INPUT, AND AC-OUTPUT. (OUT OF MITSUBISHI PROVISION.)
- ROTATION OF A, B, AND C PHASE IS CLOCKWISE.



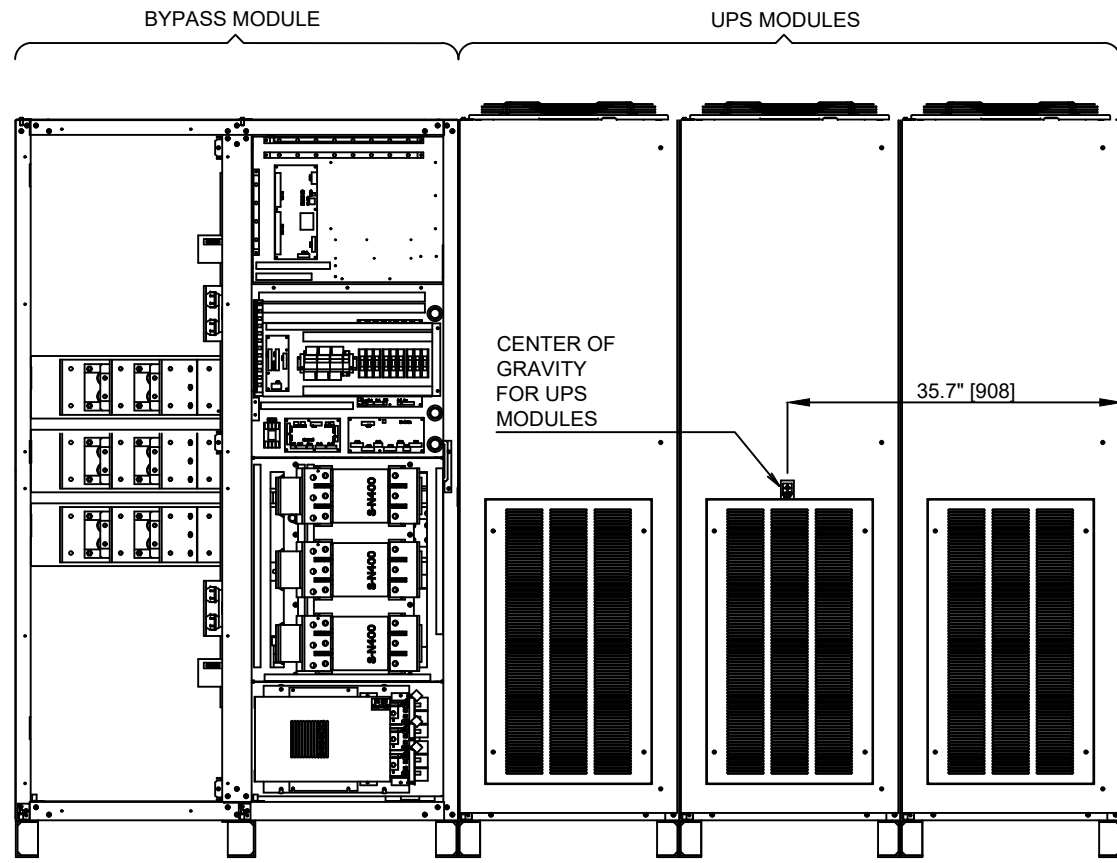
TOP VIEW



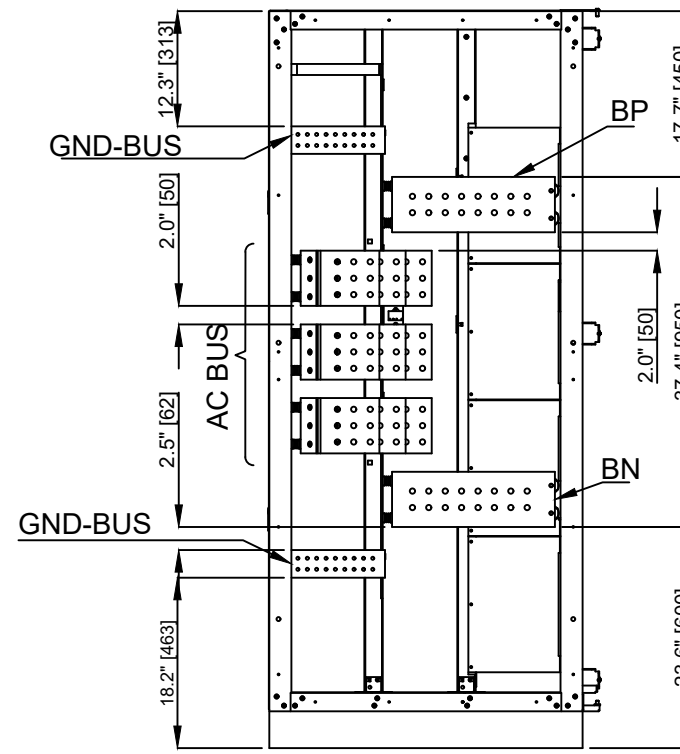
FRONT-LEFT-TOP VIEW OF AC BUSSES



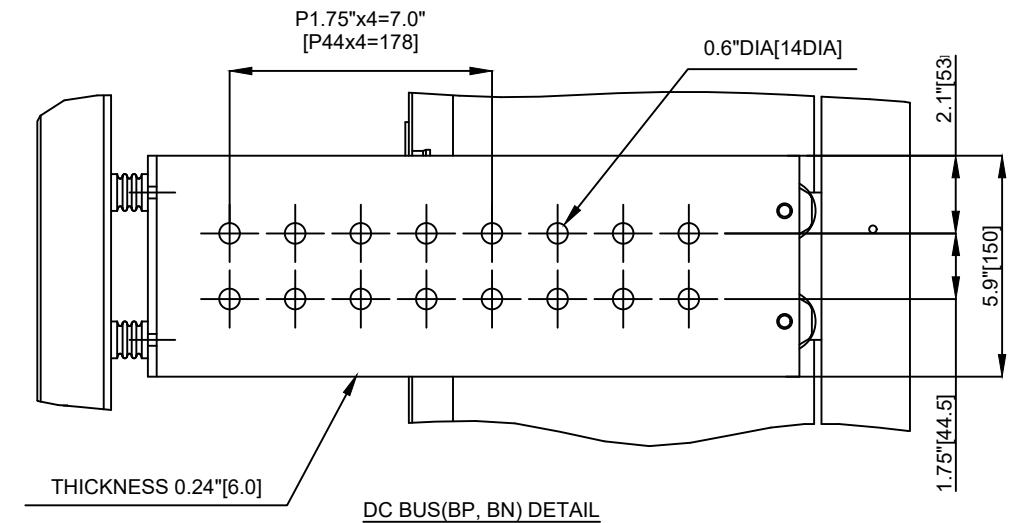
GND-BUS DETAIL



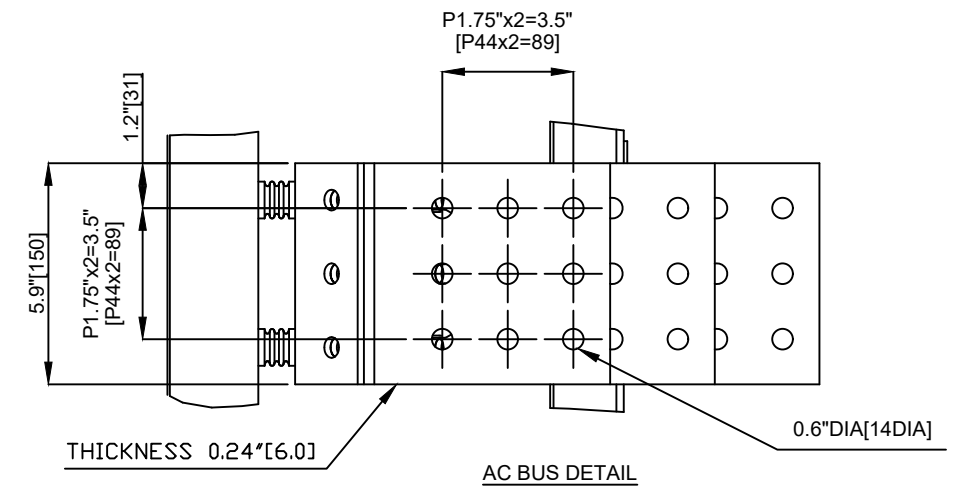
FRONT INSIDE VIEW



LEFT INSIDE VIEW



DC BUS (BP, BN) DETAIL



AC BUS DETAIL

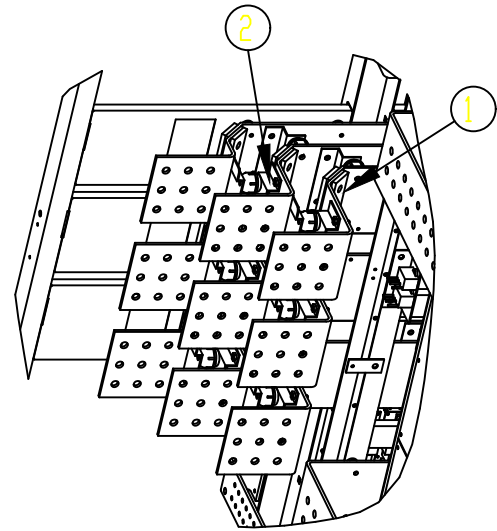
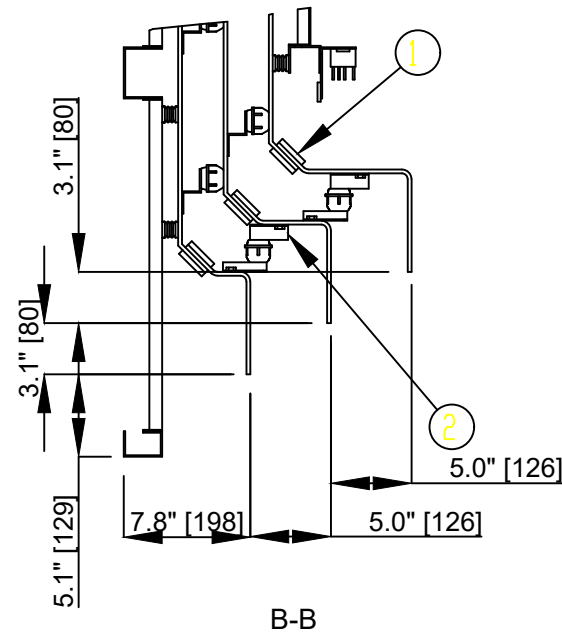
REVISIONS

- INITIAL RELEASE PER ECN 1315 ZZAJAC 5/29/2019
- ADDED CONDUIT ENTRY TO SHEET 2, UPDATED PER ECN 1327 ZZAJAC 6/5/2019
- ADDED TYPE, RATING, AND HEAT REJECTION; UPDATED PER ECN 1370 ZZAJAC 7/11/2019
- MODIFIED HMI ON SHEET 2 ZZAJAC 4/17/2020
- ADDED NOTES FOR 100.000.474 INSTALLATION REF. UD-100373. J.MOTT 8/14/2020
- UPDATED FOR GRATED TOP PANEL ON BYPASS MODULE J.PRY-SOCK 2/12/2020

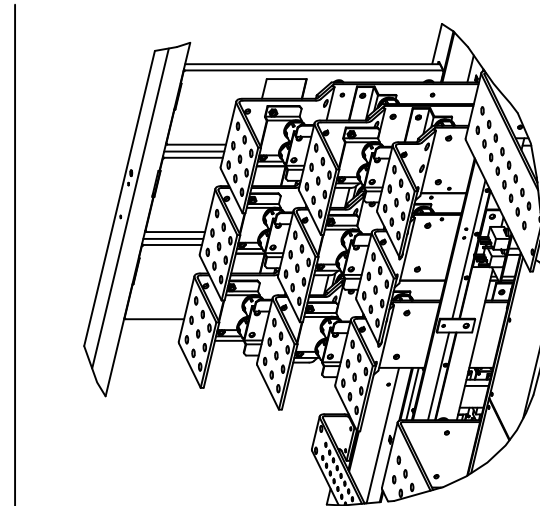
DIMENSIONS IN: IN [MM]	SCALE - NTS -	DRAFTER Z.ZAJAC	DATE 5/29/2019	<p><b>MITSUBISHI ELECTRIC</b></p>
<p>PROPRIETARY</p> <small>This document is the property of Mitsubishi Electric Power Products, Inc. and contains proprietary and confidential information which must not be duplicated, used or disclosed other than as expressly authorized by Mitsubishi Electric Power Products, Inc.</small>		APPROVED N.RIEMER	DATE 5/29/2019	
		<p>CORE [REFERENCE] DRAWING</p>		<p>DWG. NO.</p> <p>UD-100968</p>
			<p>SHEET 3 OF 7</p>	<p>REV.</p> <p>5</p>

NOTES:

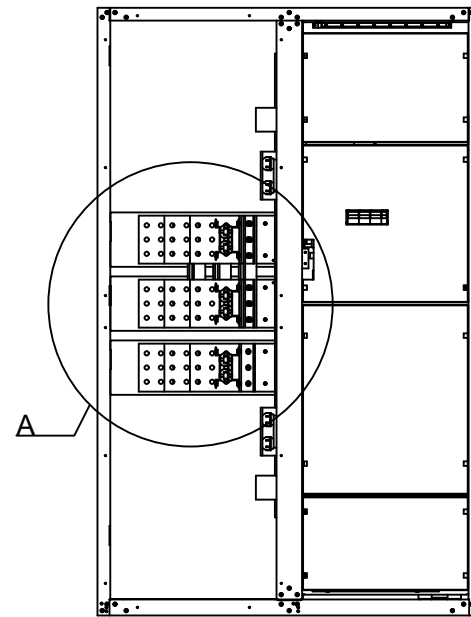
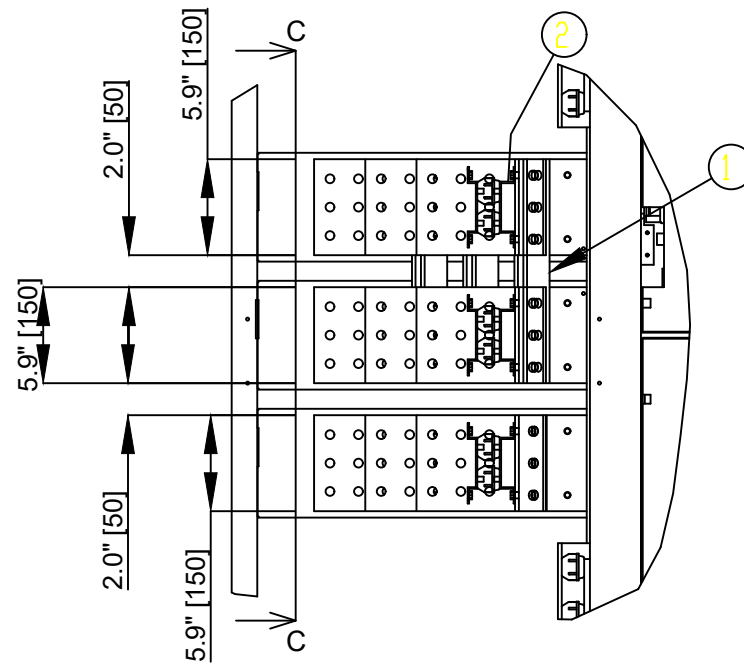
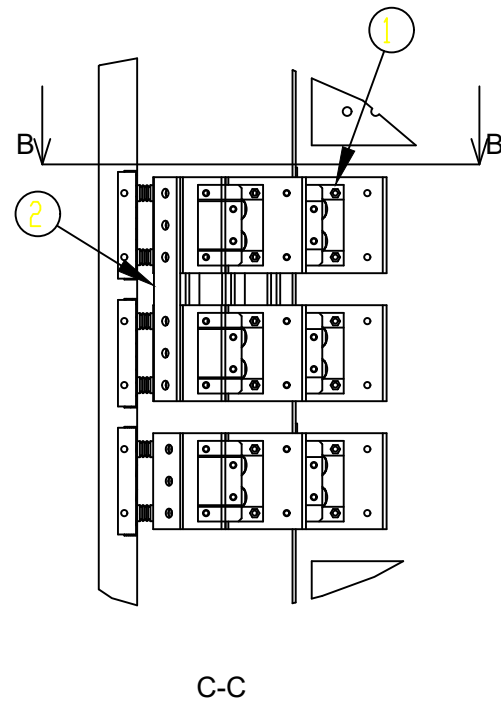
1. OPTION BUSS PART TO MAKE AC-INPUT AND BYPASS-INPUT SHORT-CIRCUITED (6PCS) OPTION.
2. PANEL PART 100.000.474 REQUIRED TO REARRANGE DIRECTION OF AC TERMINALS (6PCS). USE UD-100373 INSTALLATION INSTRUCTIONS.



FRONT-LEFT-TOP VIEW OF AC BUSES



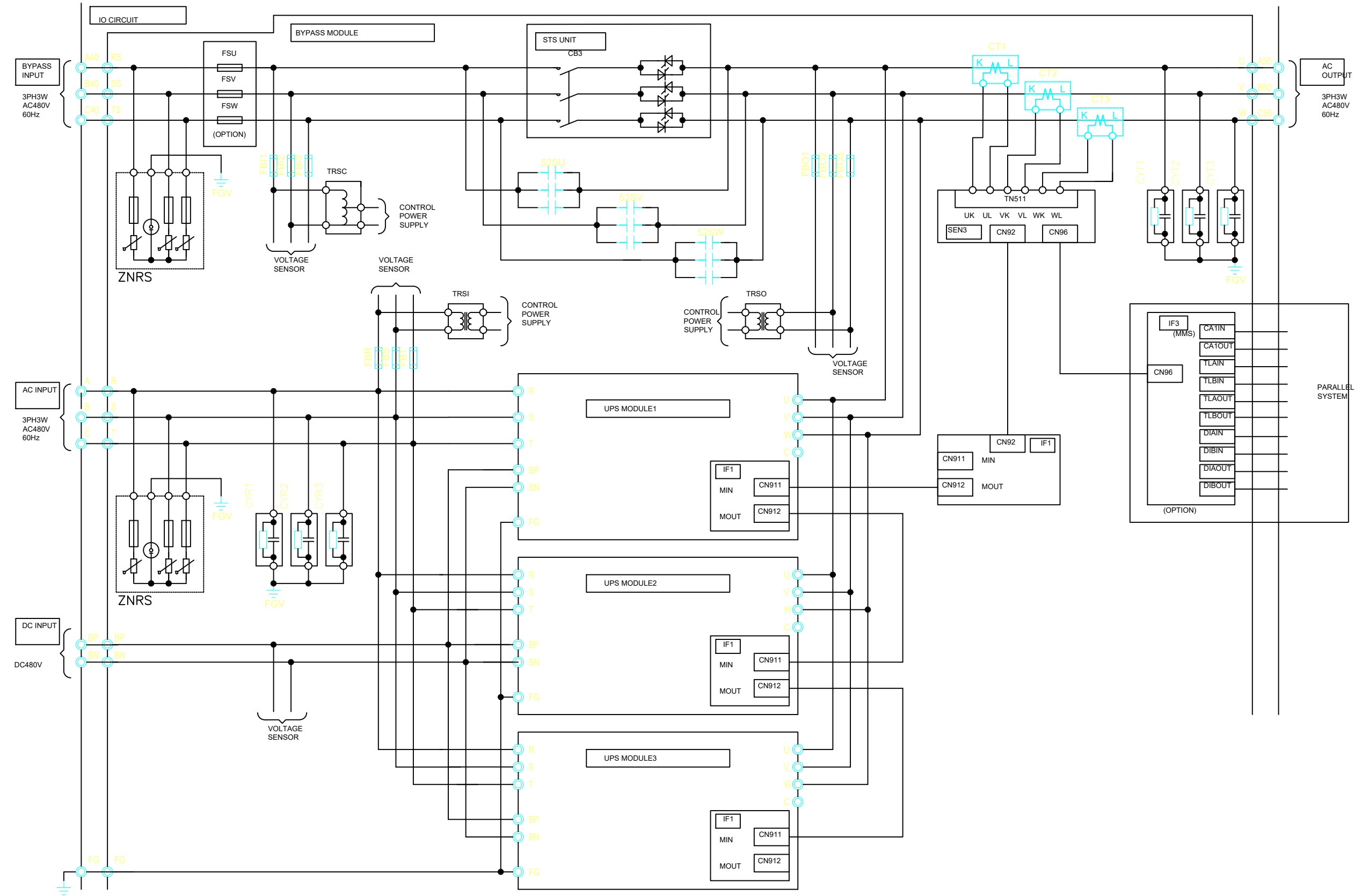
cf. WITHOUT OPTIONS



FRONT INSIDE VIEW OF BYPASS MODULE

REVISIONS
0. INITIAL RELEASE PER ECN 1315 ZZAJAC 5/29/2019
1. ADDED CONDUIT ENTRY TO SHEET 2, UPDATED PER ECN 1327 ZZAJAC 6/5/2019
2. ADDED TYPE, RATING, AND HEAT REJECTION, UPDATED PER ECN 1370 ZZAJAC 7/11/2019
3. MODIFIED HMI ON SHEET 2 ZZAJAC 4/17/2020
4. ADDED NOTES FOR 100.000.474 INSTALLATION. REF. UD-100373. J.MOTT 8/14/2020
5. UPDATED FOR PANEL ON BYPASS MODULE J.PRY-SOCK 2/12/2020

DIMENSIONS IN: IN [MM]	SCALE - NTS -	DRAFTER Z.ZAJAC	DATE 5/29/2019	<p><b>MITSUBISHI ELECTRIC</b></p>	
<p>PROPRIETARY</p> <small>This document is the property of Mitsubishi Electric Power Products, Inc. and contains proprietary and confidential information which must not be duplicated, used or disclosed other than as expressly authorized by Mitsubishi Electric Power Products, Inc.</small>		APPROVED N.RIEMER	DATE 5/29/2019		<p>TITLE</p> <p><b>OUTLINE</b></p> <p>9900CX 1050KVA</p>
		<p>CORE [REFERENCE] DRAWING</p>		<p>DWG. NO.</p> <p><b>UD-100968</b></p>	<p>SHEET 4 OF 7</p> <p>REV.</p> <p><b>5</b></p>



**REVISIONS**

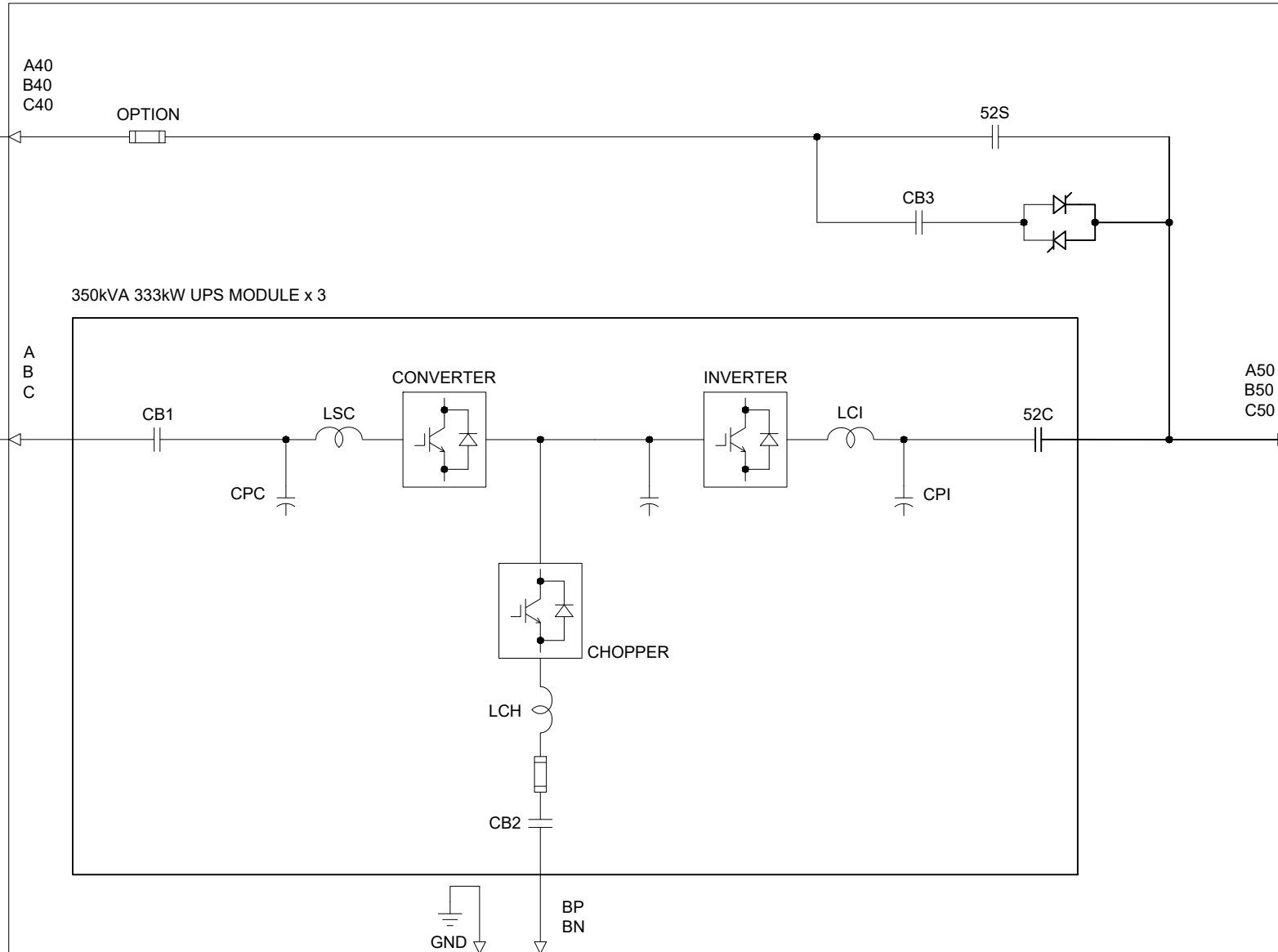
- 0. INITIAL RELEASE PER EGN 1315 ZZAJAC 5/29/2019
- 1. ADDED CONDUIT ENTRY TO SHEET 2, UPDATED PER EGN 1327 ZZAJAC 6/5/2019
- 2. ADDED TYPE, RATING, AND HEAT REJECTION, UPDATED PER EGN 1370 ZZAJAC 7/11/2019
- 3. MODIFIED HMI ON SHEET 2 ZZAJAC 4/17/2020
- 4. ADDED NOTES FOR 100.000.474 INSTALLATION REF. UD-100373. J.MOTT 8/14/2020
- 5. UPDATED FOR PANEL ON BYPASS MODULE J.PRY-SOOCK 2/12/2020

DIMENSIONS IN: IN [MM]	SCALE - NTS -	DRAFTER Z.ZAJAC	DATE 5/29/2019	 <b>MITSUBISHI ELECTRIC</b> TITLE OUTLINE 9900CX 1050KVA	
PROPRIETARY <small>This document is the property of Mitsubishi Electric Power Products, Inc. and contains proprietary and confidential information which must not be duplicated, used or disclosed other than as expressly authorized by Mitsubishi Electric Power Products, Inc.</small>		APPROVED N.RIEMER	DATE 5/29/2019		SHEET 5 OF 7 REV.
CORE [REFERENCE] DRAWING				DWG. NO. <b>UD-100968</b>	REV. <b>5</b>

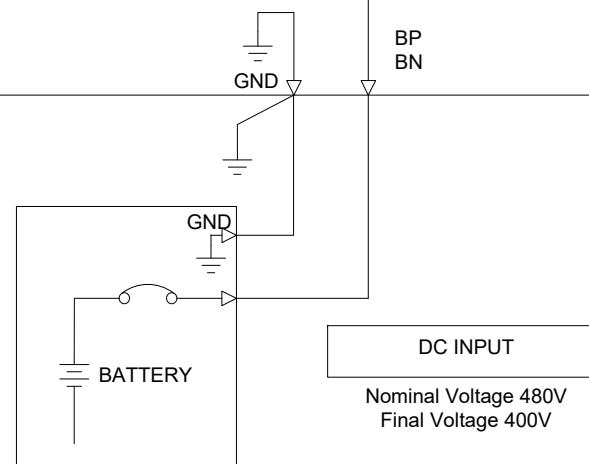
1050kVA 1000kW UPS

**BYPASS INPUT**  
3-PHASE 3-WIRE  
AC480V 60Hz

**AC INPUT**  
3-PHASE 3-WIRE  
AC480V 60Hz

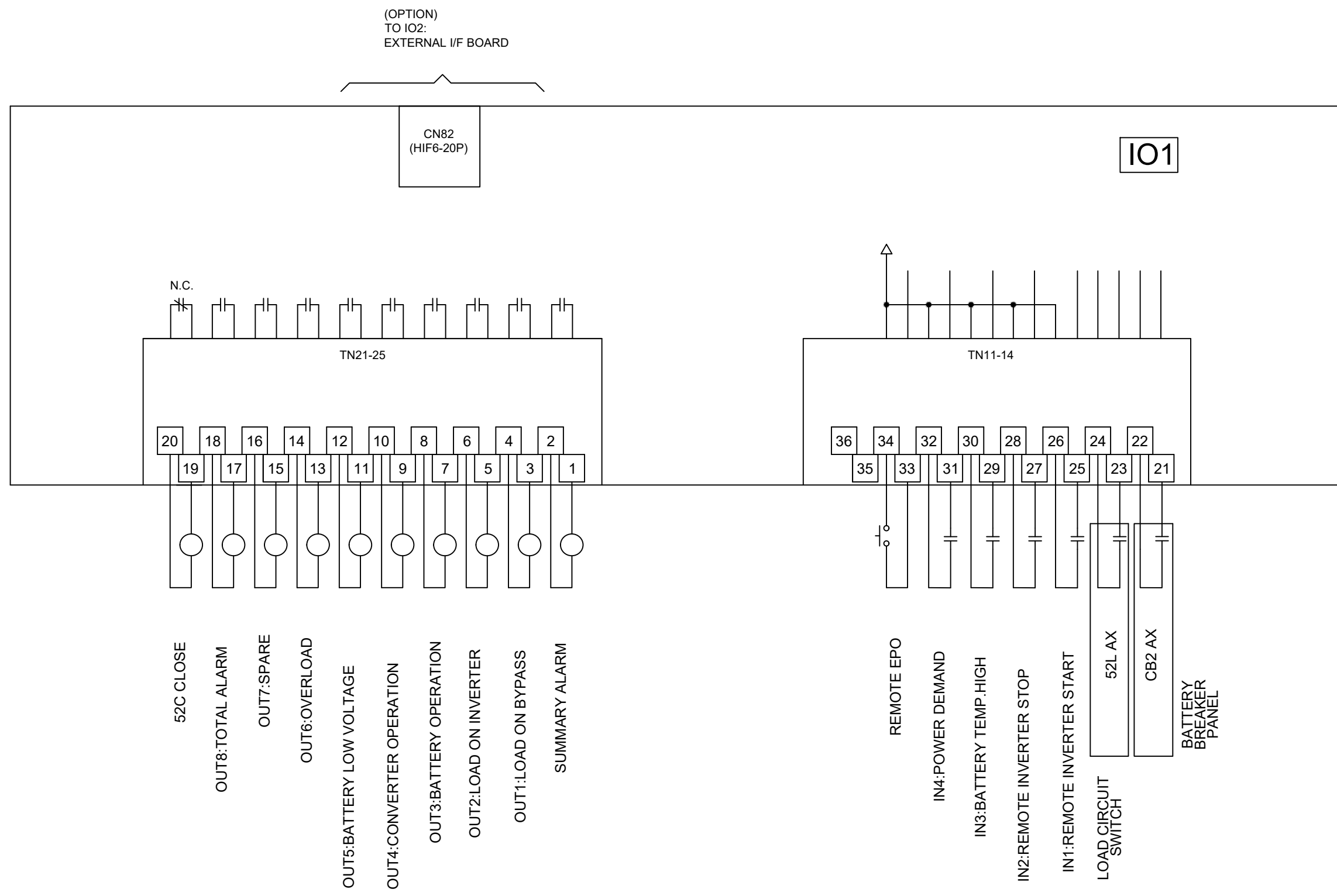


**AC OUTPUT**  
3-PHASE 3-WIRE  
AC480V 60Hz



REVISIONS
0. INITIAL RELEASE PER ECN 1316 ZZAJAC 5/29/2019
1. ADDED CONDUIT ENTRY TO SHEET 2, UPDATED PER ECN 1327 ZZAJAC 6/5/2019
2. ADDED TYPE, RATING, AND HEAT REJECTION, UPDATED PER ECN 1370 ZZAJAC 7/11/2019
3. MODIFIED HMI ON SHEET 2 ZZAJAC 4/17/2020
4. ADDED NOTES FOR 100.000.474 INSTALLATION REF. UD-100373. J.MOTT 8/14/2020
5. UPDATED FOR CRATED TOP PANEL ON BYPASS MODULE J.PRY-SOCK 2/12/2020

DIMENSIONS IN: IN [MM]	SCALE: - NTS -	DRAFTER: Z.ZAJAC	DATE: 5/29/2019	<p><b>MITSUBISHI ELECTRIC</b></p>
<small>PROPRIETARY</small> <small>This document is the property of Mitsubishi Electric Power Products, Inc. and contains proprietary and confidential information which must not be duplicated, used or disclosed other than as expressly authorized by Mitsubishi Electric Power Products, Inc.</small>		APPROVED: N.RIEMER	DATE: 5/29/2019	
CORE [REFERENCE] DRAWING				TITLE: <b>OUTLINE 9900CX 1050KVA</b>
DWG. NO. <b>UD-100968</b>				SHEET 6 OF 7 REV. <b>5</b>



REVISIONS

0. INITIAL RELEASE PER ECN 1316 ZZAJAC 5/29/2019
1. ADDED CONDUIT ENTRY TO SHEET 2, UPDATED PER ECN 1327 ZZAJAC 6/5/2019
2. ADDED TYPE, RATING, AND HEAT REJECTION, UPDATED PER ECN 1370 ZZAJAC 7/11/2019
3. MODIFIED HMI ON SHEET 2 ZZAJAC 4/17/2020
4. ADDED NOTES FOR 100.000.474 INSTALLATION REF. UD-100373. J.MOTT 8/14/2020
5. UPDATED FOR CRYSTAL PANEL ON BYPASS MODULE J.PRY-SOCK 2/12/2020

DIMENSIONS IN: IN [MM]	SCALE - NTS -	DRAFTER Z.ZAJAC	DATE 5/29/2019	<p><b>MITSUBISHI ELECTRIC</b></p>
<p>PROPRIETARY</p> <small>This document is the property of Mitsubishi Electric Power Products, Inc. and contains proprietary and confidential information which must not be duplicated, used or disclosed other than as expressly authorized by Mitsubishi Electric Power Products, Inc.</small>		APPROVED N.RIEMER	DATE 5/29/2019	
CORE [REFERENCE] DRAWING				<p>TITLE</p> <p>9900CX 1050KVA</p>
DWG. NO. UD-100968		SHEET 7 OF 7		REV. 5