


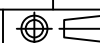
# MITSUBISHI 9900B 300kVA UPS DIRECT CABLE CONFIGURATION

CUSTOMER -  
PROJECT NUMBER -  
PROJECT LOCATION -

### TABLE OF CONTENTS

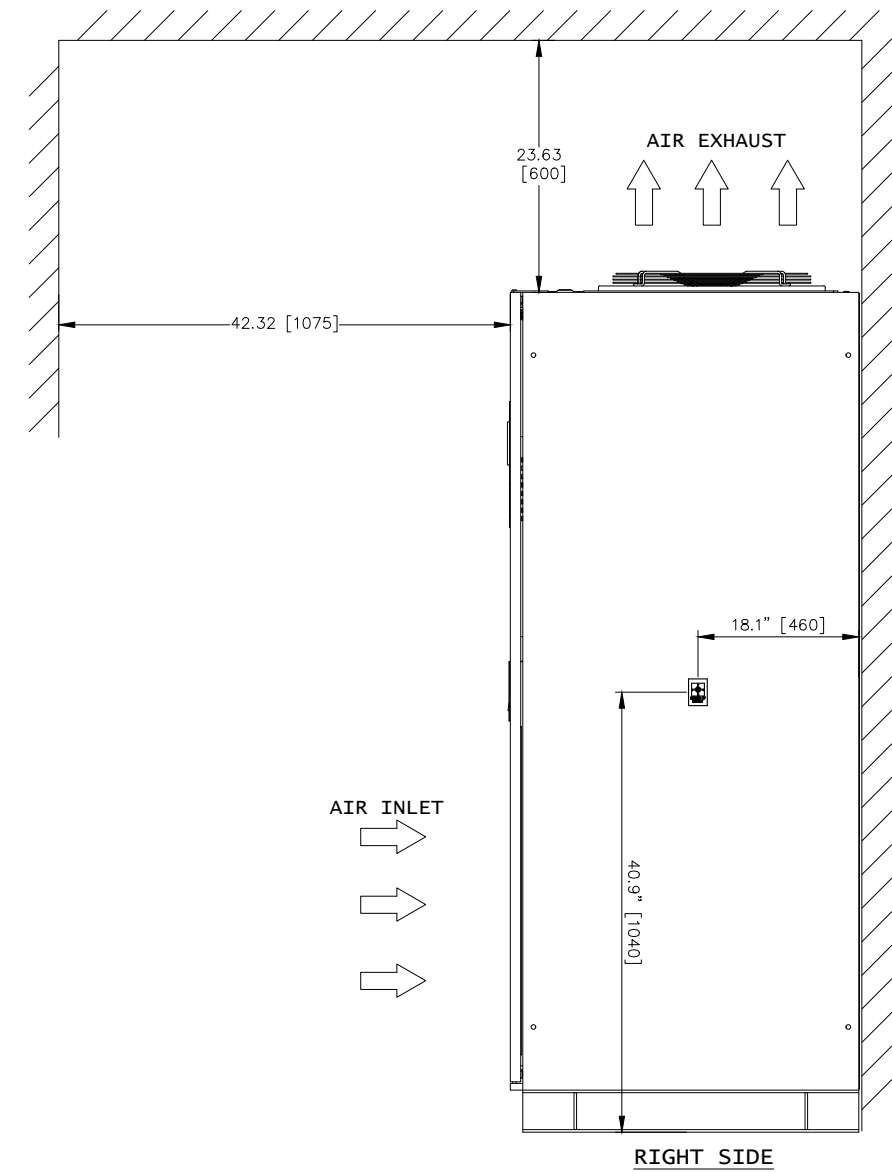
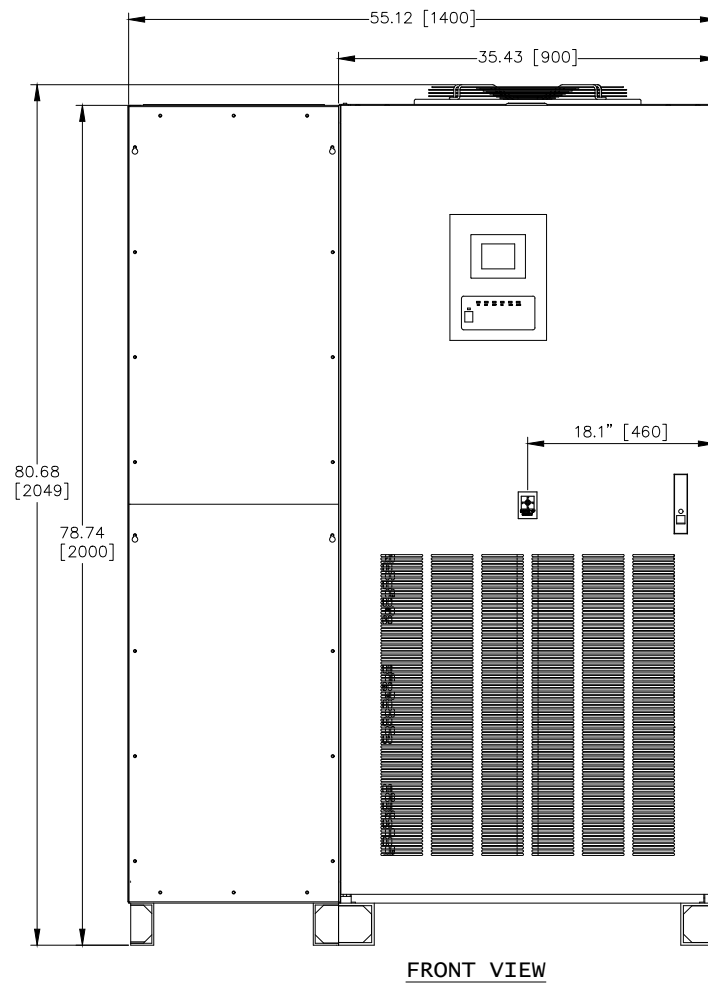
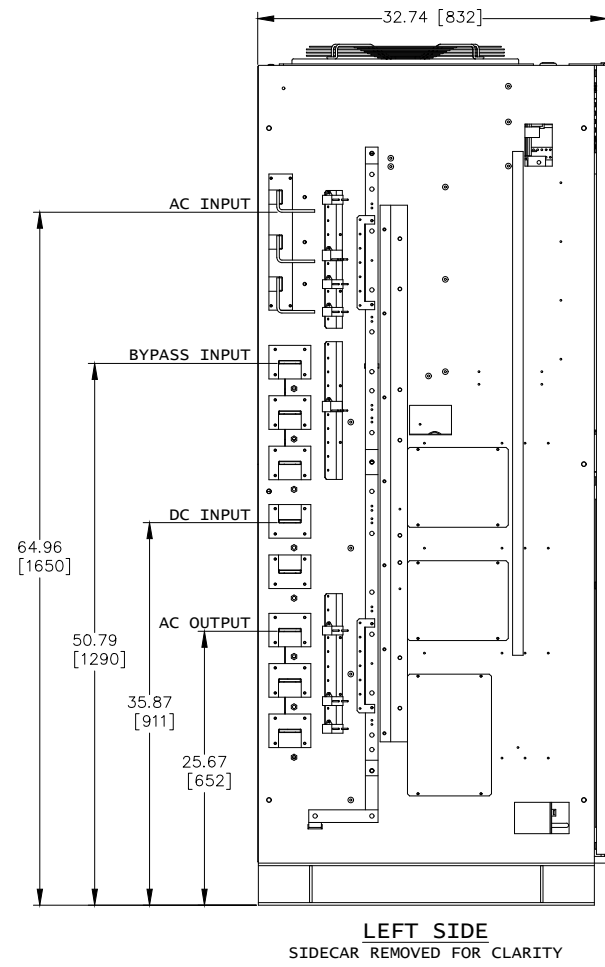
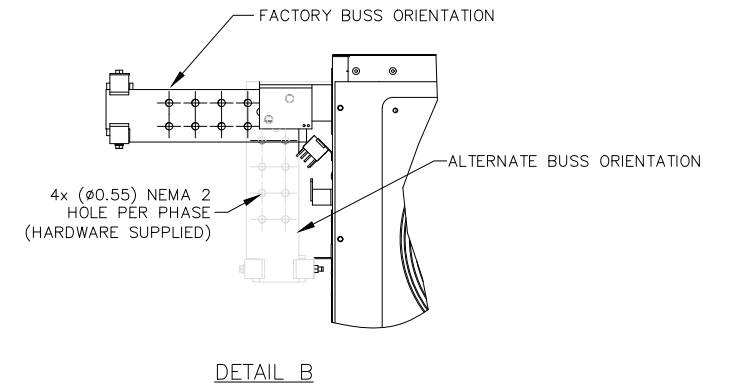
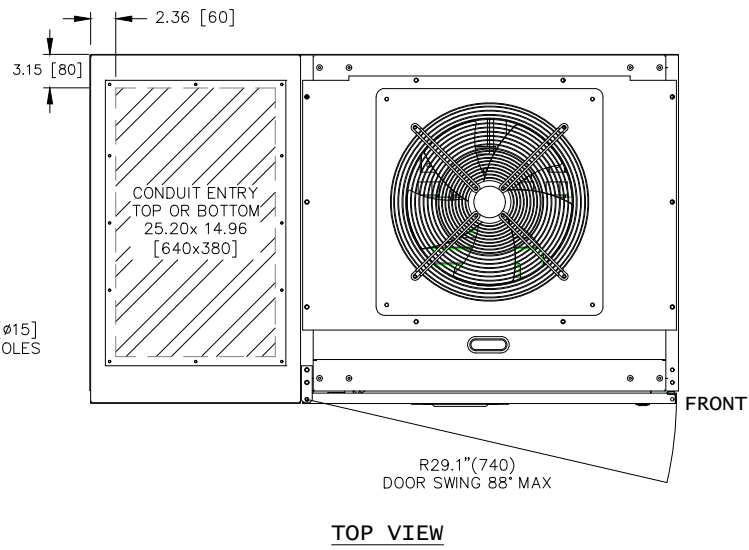
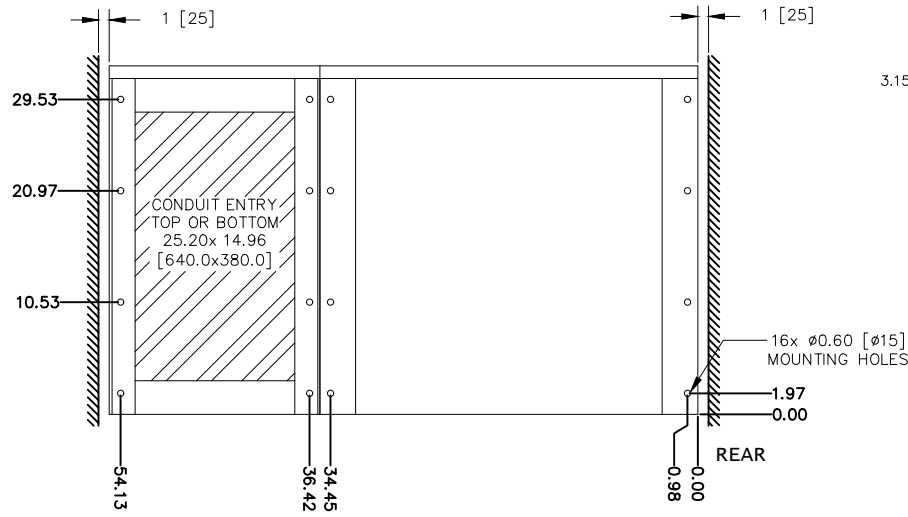
SHEET NO.	TITLE
01	COVER SHEET
02	300kVA UPS DETAIL
03	UPS ONE-LINE DIAGRAM
04	UPS ELECTRICAL SCHEMATIC
05	UPS CONTACT DIAGRAM
06	
07	
08	
09	
10	
11	
12	
13	
14	
15	

REVISIONS
0 RELEASED FOR USE NRR 6/13/11
1 GENERAL REVISION DDR 11/02/12
2 GENERAL REVISION DDR 11/27/12
3 FAN REMOVED FROM SCHEMATIC; SHEET 3 JMB 02/06/13
4 REVISED BATTERY CABINET GROUND JMB 11/07/13
5 UPDATED CABINET ANCHORING NRR 3/20/14
6 GENERAL TEXT REVISION NRR 12/30/14
7 GENERAL TEXT REVISION GDJ 7/15/15
8 ADDED CENTER OF GRAVITY ZMZ 2/2/18
9. ADDED NOTE 6 TO SHEET 2; UPDATED PER ECN 1368 ZZAJAC 6/27/19
10. CHANGED FACTORY BUSS ORIENTATION DETAIL ZZAJAC 1/25/21

DIM. IN: INCHES	SCALE: NTS	DRAFTER: T.DIEBLE	DATE: 06/03/11	 <b>MITSUBISHI ELECTRIC POWER PRODUCTS, INC.</b> WARRENDALE, PA.
PROPRIETARY THIS DOCUMENT IS PROPERTY OF MITSUBISHI ELECTRIC POWER PRODUCTS INC. AND CONTAINS PROPRIETARY AND CONFIDENTIAL INFORMATION WHICH MUST NOT BE DUPLICATED, USED OR DISCLOSED OTHER THAN AS EXPRESSLY AUTHORIZED BY MITSUBISHI ELECTRIC POWER PRODUCTS INC.		CHECKED: N.RIEMER	DATE: 06/03/11	
		ENGINEER: N.RIEMER	DATE: 06/03/11	
REF. DWG. No.		APPROVED:	DATE:	
FILE LOCATION:				DWG No. <b>UD-100112</b> SHEET 1 OF 5 REV: <b>10</b>

**NOTES**

1. FIELD CABLES AND TERMINATIONS BY OTHERS.  
(AC INPUT, DC INPUT, BYPASS INPUT AND AC OUTPUT.)
2. PHASE ROTATION CLOCKWISE A, B, C.
3. 19.7" SIDECAR SHIPPED ATTACHED TO UPS.
4. CABINET MUST MAINTAIN ±15° UPRIGHT.
5. APPROXIMATE WEIGHT: 2,250LBS (1021KG)
6. HEAT REJECTION  
42.68 KBTU/HR@ 100%  
30.35 KBTU/HR@ 75%  
20.23 KBTU/HR@ 50%



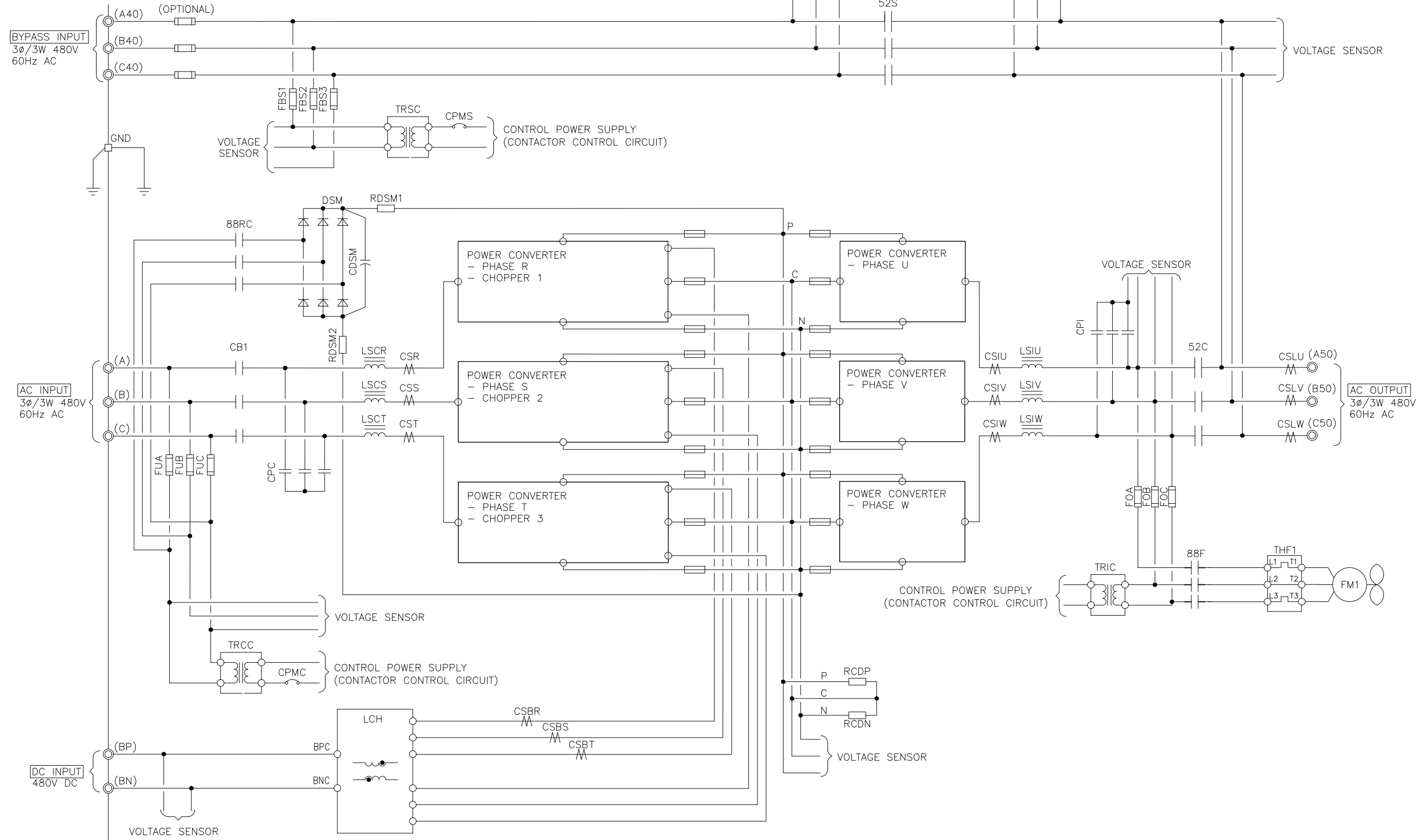
REVISIONS
0 RELEASED FOR USE NRR 6/13/11
1 GENERAL REVISION DDR 11/02/12
2 GENERAL REVISION DDR 11/27/12
3 FAN REMOVED FROM SCHEMATIC; SHEET 3 JMB 02/06/13
4 REVISED BATTERY CABINET GROUND JMB 11/07/13
5 UPDATED CABINET ANCHORING NRR 3/20/14
6 GENERAL TEXT REVISION NRR 12/30/14
7 GENERAL TEXT REVISION GDJ 7/15/15
8 ADDED CENTER OF GRAVITY ZMZ 2/2/18
9. ADDED NOTE 6 TO SHEET 2; UPDATED PER ECN 1368 Z.ZAJAC 6/27/19
10. CHANGED FACTORY BUSS ORIENTATION DETAIL Z.ZAJAC 1/25/21

DIM. IN: INCHES	SCALE: NTS	DRAFTER: T.DIEBLE	DATE: 06/03/11
<small>PROPRIETARY THIS DOCUMENT IS PROPERTY OF MITSUBISHI ELECTRIC POWER PRODUCTS INC. AND CONTAINS PROPRIETARY AND CONFIDENTIAL INFORMATION WHICH MUST NOT BE DUPLICATED, USED OR DISCLOSED OTHER THAN AS EXPRESSLY AUTHORIZED BY MITSUBISHI ELECTRIC POWER PRODUCTS INC.</small>		CHECKED: N.RIEMER	DATE: 06/03/11
		ENGINEER: N.RIEMER	DATE: 06/03/11
		APPROVED:	DATE:
REF. DWG. No.	FILE LOCATION:		

**MITSUBISHI ELECTRIC POWER PRODUCTS, INC.**  
WARRENDALE, PA.

TITLE: **9900B 300kVA UPS STANDARD CONFIGURATION**

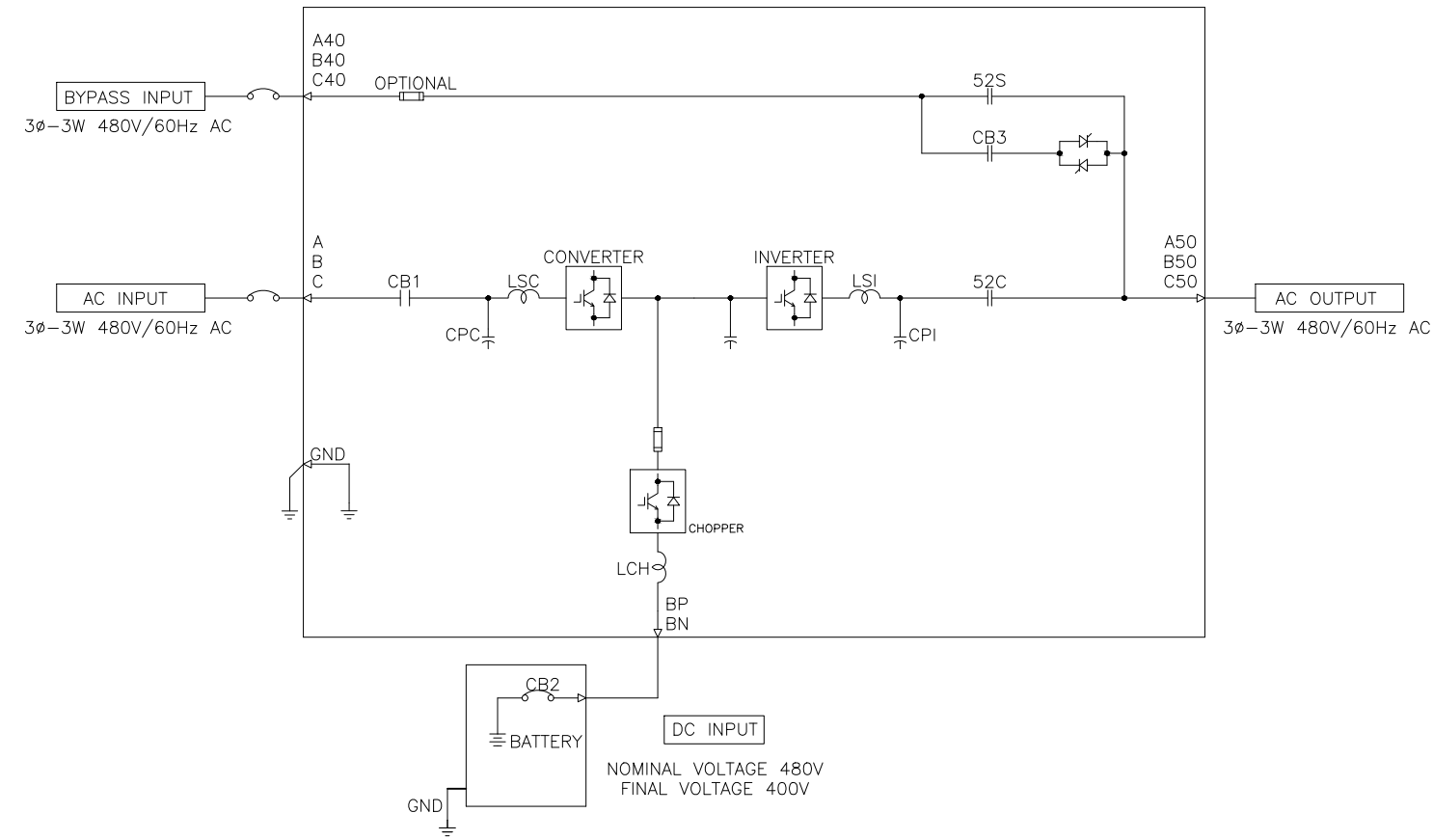
DWG No. SHEET 2 OF 5 REV: **10**



REVISIONS
0 RELEASED FOR USE NRR 6/13/11
1 GENERAL REVISION DDR 11/02/12
2 GENERAL REVISION DDR 11/27/12
3 FAN REMOVED FROM SCHEMATIC; SHEET 3 JMB 02/06/13
4 REVISED BATTERY CABINET GROUND JMB 11/07/13
5 UPDATED CABINET ANCHORING NRR 3/20/14
6 GENERAL TEXT REVISION NRR 12/30/14
7 GENERAL TEXT REVISION GDU 7/15/15
8 ADDED CENTER OF GRAVITY ZMZ 2/2/18
9. ADDED NOTE 6 TO SHEET 2; UPDATED PER EGN 1368 ZZAJAC 6/27/19
10. CHANGED FACTORY BUSS ORIENTATION DETAIL ZZAJAC 1/25/21

DIM. IN: INCHES	SCALE: NTS	DRAFTER: T.DIEBLE	DATE: 06/03/11
<small>PROPRIETARY THIS DOCUMENT IS PROPERTY OF MITSUBISHI ELECTRIC POWER PRODUCTS INC. AND CONTAINS PROPRIETARY AND CONFIDENTIAL INFORMATION WHICH MUST NOT BE DUPLICATED, USED OR DISCLOSED OTHER THAN AS EXPRESSLY AUTHORIZED BY MITSUBISHI ELECTRIC POWER PRODUCTS INC.</small>		CHECKED: N.RIEMER	DATE: 06/03/11
		ENGINEER: N.RIEMER	DATE: 06/03/11
		APPROVED:	DATE:
REF. DWG. No.	FILE LOCATION:		

**MITSUBISHI ELECTRIC POWER PRODUCTS, INC.**  
 WARRENDALE, PA.  
**TITLE: 9900B 300kVA UPS STANDARD CONFIGURATION**  
 DWG No. **UD-100112** SHEET 3 OF 5 REV: **10**



300kVA 300kW UPS MODULE

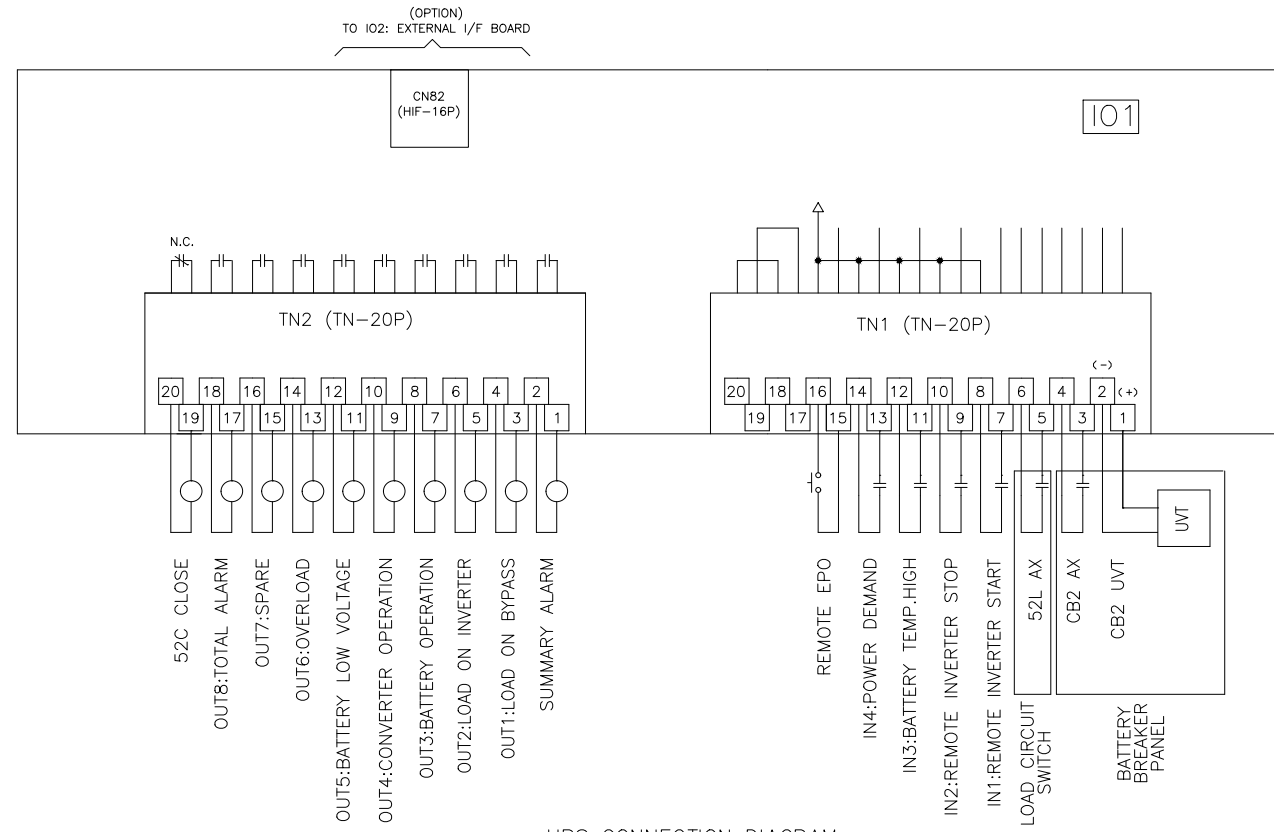
REVISIONS
0 RELEASED FOR USE NRR 6/13/11
1 GENERAL REVISION DDR 11/02/12
2 GENERAL REVISION DDR 11/27/12
3 FAN REMOVED FROM SCHEMATIC; SHEET 3 JMB 02/06/13
4 REVISED BATTERY CABINET GROUND JMB 11/07/13
5 UPDATED CABINET ANCHORING NRR 3/20/14
6 GENERAL TEXT REVISION NRR 12/30/14
7 GENERAL TEXT REVISION GDJ 7/15/15
8 ADDED CENTER OF GRAVITY ZMZ 2/2/18
9. ADDED NOTE 6 TO SHEET 2; UPDATED PER ECN 1368 ZZAJAC 6/27/19
10. CHANGED FACTORY BUSS ORIENTATION DETAIL ZZAJAC 1/25/21

DIM. IN: INCHES	SCALE: NTS	DRAFTER: T.DIEBLE	DATE: 06/03/11
<small>PROPRIETARY THIS DOCUMENT IS PROPERTY OF MITSUBISHI ELECTRIC POWER PRODUCTS INC. AND CONTAINS PROPRIETARY AND CONFIDENTIAL INFORMATION WHICH MUST NOT BE DUPLICATED, USED OR DISCLOSED OTHER THAN AS EXPRESSLY AUTHORIZED BY MITSUBISHI ELECTRIC POWER PRODUCTS INC.</small>		CHECKED: N.RIEMER	DATE: 06/03/11
		ENGINEER: N.RIEMER	DATE: 06/03/11
		APPROVED:	DATE:
REF. DWG. No.	FILE LOCATION:		

**MITSUBISHI ELECTRIC  
POWER PRODUCTS, INC.  
WARRENDALE, PA.**

**TITLE: 9900B 300kVA UPS  
STANDARD CONFIGURATION**

DWG No. UD-100112 SHEET 4 OF 5 REV: 10



REVISIONS
0 RELEASED FOR USE NRR 6/13/11
1 GENERAL REVISION DDR 11/02/12
2 GENERAL REVISION DDR 11/27/12
3 FAN REMOVED FROM SCHEMATIC; SHEET 3 JMB 02/06/13
4 REVISED BATTERY CABINET GROUND JMB 11/07/13
5 UPDATED CABINET ANCHORING NRR 3/20/14
6 GENERAL TEXT REVISION NRR 12/30/14
7 GENERAL TEXT REVISION GDJ 7/15/15
8 ADDED CENTER OF GRAVITY ZMZ 2/2/18
9. ADDED NOTE 6 TO SHEET 2. UPDATED PER EGN 1368 Z.ZAJAC 6/27/19
10. CHANGED FACTORY BUSS ORIENTATION DETAIL Z.ZAJAC 1/25/21

DIM. IN: INCHES	SCALE: NTS	DRAFTER: T.DIEBLE	DATE: 06/03/11
<small>PROPRIETARY THIS DOCUMENT IS PROPERTY OF MITSUBISHI ELECTRIC POWER PRODUCTS INC. AND CONTAINS PROPRIETARY AND CONFIDENTIAL INFORMATION WHICH MUST NOT BE DUPLICATED, USED OR DISCLOSED OTHER THAN AS EXPRESSLY AUTHORIZED BY MITSUBISHI ELECTRIC POWER PRODUCTS INC.</small>		CHECKED: N.RIEMER	DATE: 06/03/11
		ENGINEER: N.RIEMER	DATE: 06/03/11
		APPROVED:	DATE:
REF. DWG. No.	FILE LOCATION:		

**MITSUBISHI ELECTRIC  
POWER PRODUCTS, INC.**  
 WARRENDALE, PA.

**9900B 300kVA UPS  
STANDARD CONFIGURATION**

DWG No. UD-100112 SHEET 5 OF 5 REV: 10