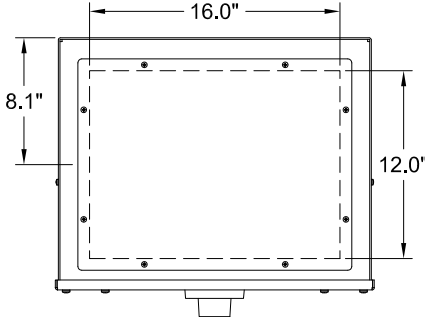
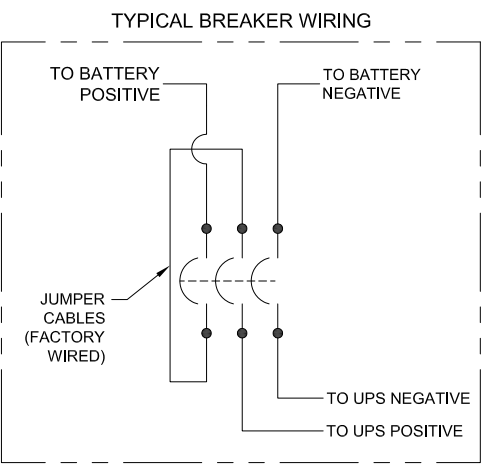
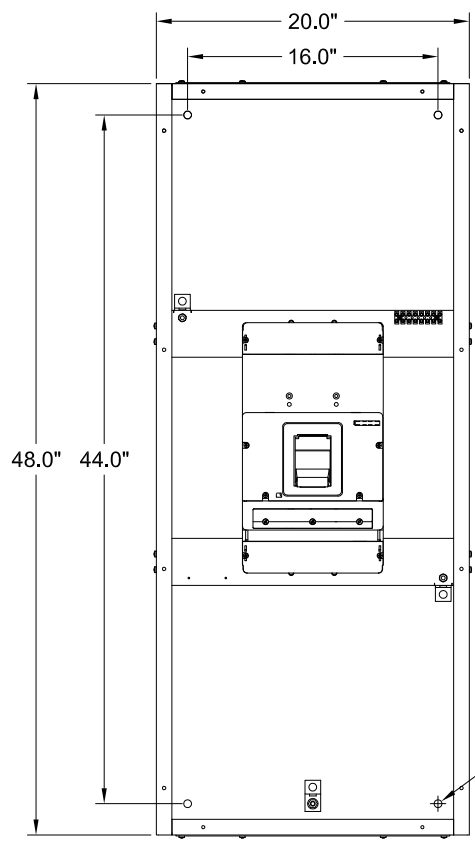
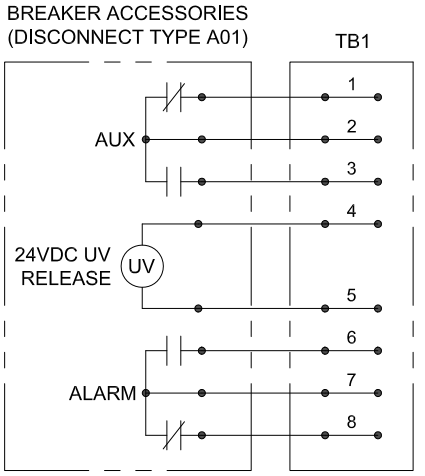
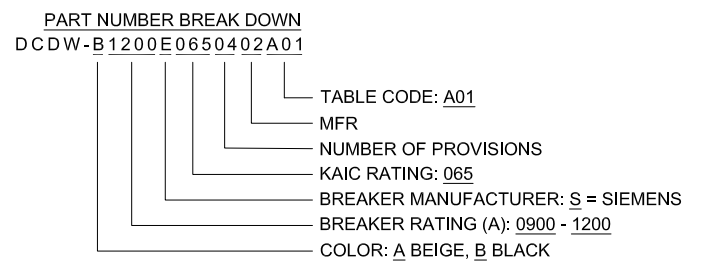


| CIRCUIT BREAKER SUMMARY | | | | |
|-------------------------|---------------|-----------|--------------|-----------------|
| BREAKER TYPE | BREAKER MODEL | TRIP | AIC | WIRE RANGE |
| SIEMENS | HNC3BXXX | 900-1200A | 65K @ 600VDC | (4) 1/0 - 500 ① |

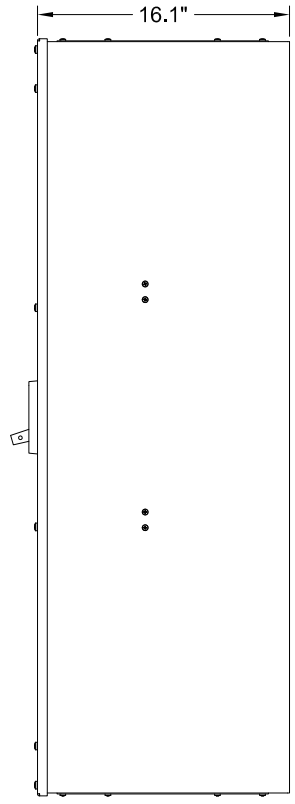
① THIS SPECIFIES THE WIRE RANGE THAT CAN BE USED WITH THE CIRCUIT BREAKER LUG. THE WIRE SHALL BE SIZED IN ACCORDANCE WITH THE MOST RECENT REVISION OF THE NATIONAL ELECTRICAL CODE (NEC) NFPA 70.



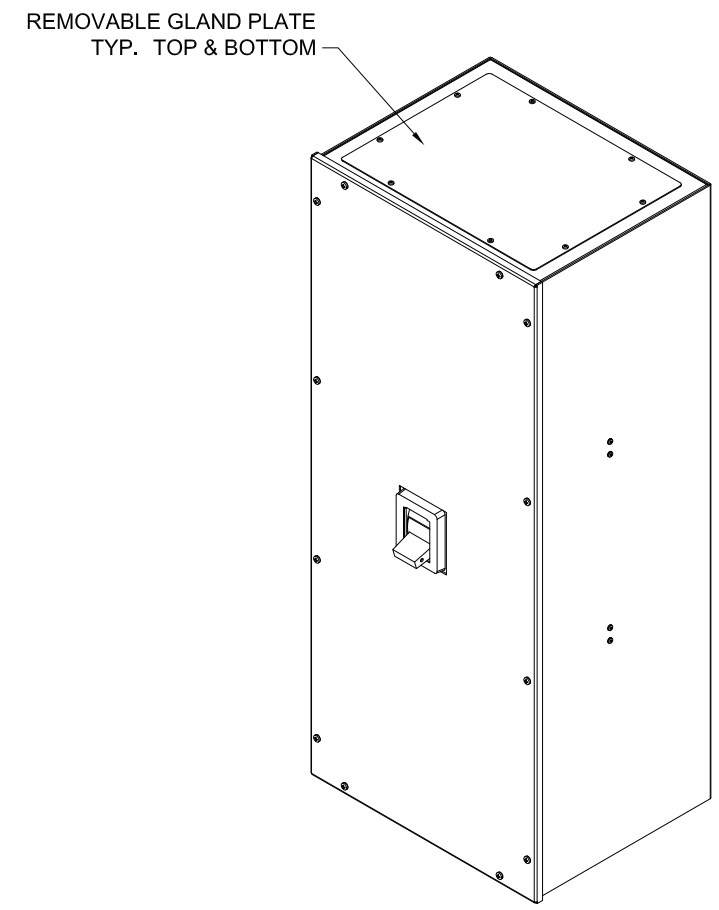
TOP VIEW



FRONT VIEW (COVER REMOVED)



RIGHT SIDE VIEW



ISOMETRIC VIEW

- NOTES:
- APPROXIMATE WEIGHT: 170 LBS.
 - ASSEMBLY IS LISTED TO UL/CUL 1778 & CSA C22.2 NO. 107.3.
 - NEMA 1 WALL MOUNT ENCLOSURE.
 - HEAVY GAUGE WELDED STEEL CONSTRUCTION.
 - POWDER COAT FINISH ON EXTERIOR AND INTERIOR OF CABINET.
 - A MINIMUM CLEARANCE OF 36" IS REQUIRED AT THE FRONT OF THE EQUIPMENT.
 - BREAKER ACCESSORY WIRING IS UL LISTED MTW STYLE 600V 105C RATED.
 - BREAKER JUMPER CABLE IS UL LISTED THHN STYLE 600V 90C RATED.
 - BREAKER IS UL LISTED.
 - BREAKER ACCESSORY TERMINAL BLOCK IS UL RECOGNIZED, 600V RATED.
 - BREAKERS ARE SHIPPED IN THE OFF POSITION.
 - THREE GROUND LUGS ARE PROVIDED. EACH GROUND LUG ACCEPTS (1) #6-300 MCM CABLE.
 - ALL CONTROL WIRING IS POWERED FROM AN OUTSIDE SOURCE.
 - FOR TERMINAL BLOCK TORQUE INFORMATION REFER TO THE ACCESSORY BLOCK WIRING LABEL LOCATED INSIDE THE EQUIPMENT.
 - FOR CIRCUIT BREAKER ACCESSORY AND TORQUE INFORMATION REFER TO THE CIRCUIT BREAKER INFO LABEL LOCATED INSIDE THE EQUIPMENT.

| | | | | | |
|--|----------------|------------------------------------|------|--------------|---|
| REVISIONS | DWG. No. | 91830-M-SD01-1 | DATE | 11/29/21 | <p>MITSUBISHI ELECTRIC POWER PRODUCTS, INC. WARRENDALE, PA.</p> |
| | FILE LOCATION: | | DATE | 11/29/21 | |
| | REF. DWG. No. | | DATE | 11/29/21 | |
| | APPROVED: | PB | DATE | 11/29/21 | |
| <small>THIS DRAWING CONTAINS PROPRIETARY AND CONFIDENTIAL INFORMATION OF C&C POWER, INC. AND HAS BEEN PREPARED FOR THE USE OF MITSUBISHI ELECTRIC POWER PRODUCTS, INC. FOR USE IN CONJUNCTION WITH EQUIPMENT PROVIDED BY C&C POWER, INC. UNAUTHORIZED REPRODUCTION, IN WHOLE OR IN PART, WITHOUT WRITTEN PERMISSION OF C&C POWER, INC. IS PROHIBITED. © 2021 C&C POWER, INC.</small> | | TITLE: DC DISCONNECT 900A-1200A | | SHEET 1 OF 1 | REV: 3 |