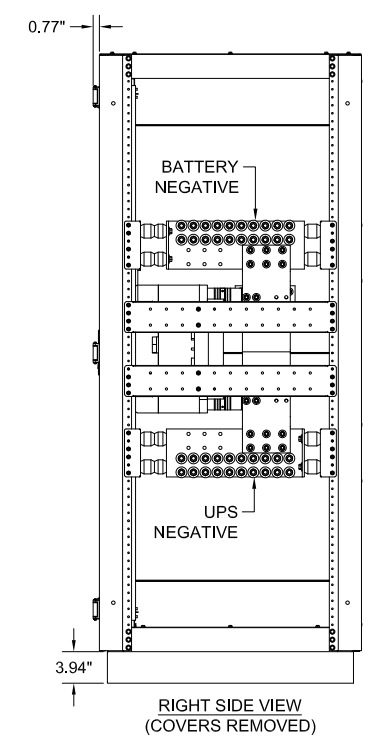
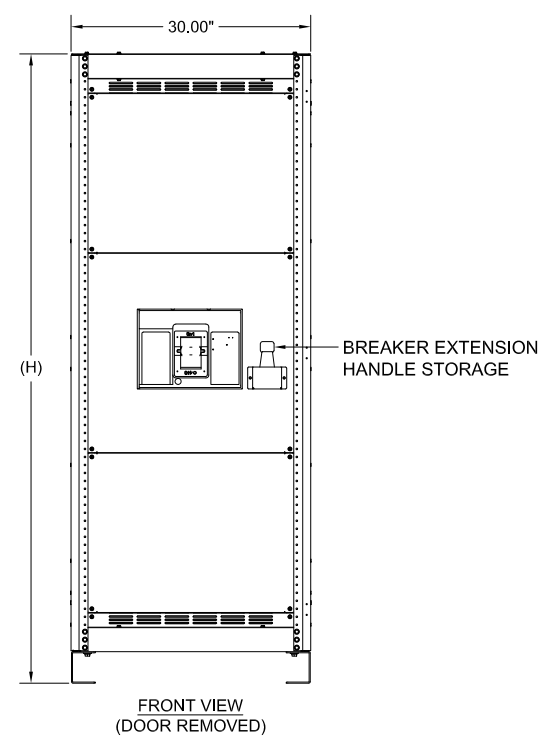
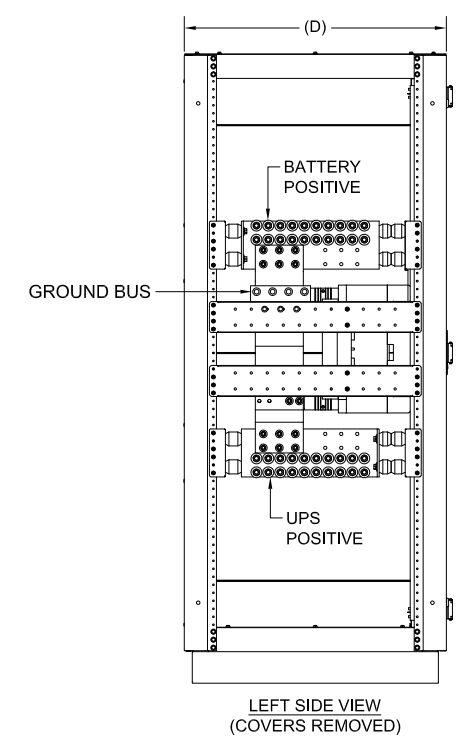
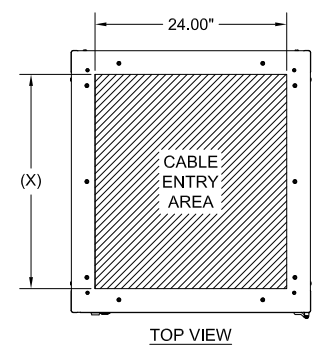
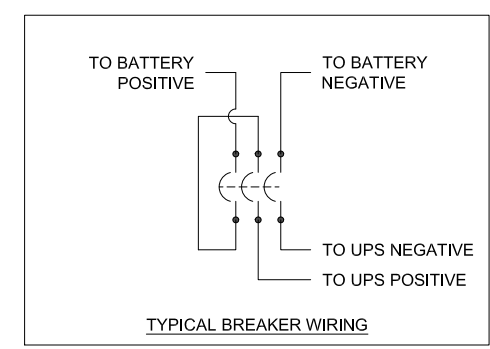


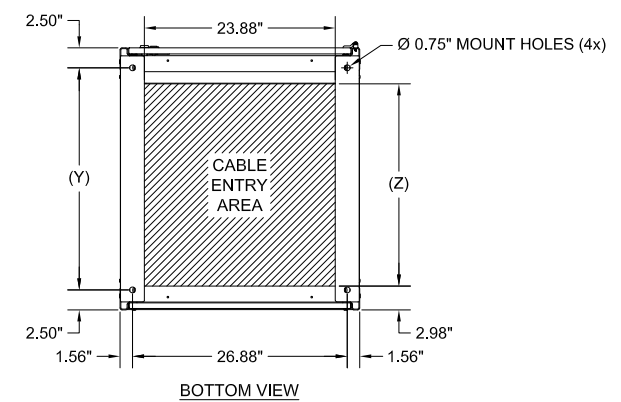
DIMENSIONS & WEIGHTS					
DEPTH (D)	HEIGHT (H)	(X)	(Y)	(Z)	WEIGHT
32.80"	78.70"	26.80"	27.80"	25.31"	665 LBS.
29.50"	78.70"	23.50"	24.50"	22.00"	645 LBS.
32.80"	82.00"	26.80"	27.80"	25.31"	680 LBS.
32.80"	84.00"	26.80"	27.80"	25.31"	685 LBS.



CIRCUIT BREAKER SUMMARY			
BREAKER TYPE	BREAKER MODEL	TRIP	AIC
EATON SERIES G	RGHDC	1600-3000A	65K @ 600VDC



- NOTES:
- ASSEMBLY IS UL/CUL LISTED TO UL 891 AND C22.2 NO. 244.
 - NEMA 1 TYPE ENCLOSURE.
 - THE CABINET IS CONSTRUCTED FROM GALVANIZED STEEL.
 - THE CABINET IS TO BE MOUNTED THROUGH THE 0.750" HOLES IN THE CABINET LEGS. THE LEGS ARE FORMED FROM 10 GAUGE STEEL.
 - FINISH IS POWDER COAT ON ALL EXTERNAL AND VISIBLE SURFACES, INTERIOR PANELS AND MOUNT BRACKETS ARE GALVANIZED FINISH.
 - CABINET LEGS ARE REVERSIBLE FOR EASY ACCESS TO CABINET FLOOR MOUNTING HARDWARE.
 - REMOVABLE TOP AND BOTTOM COVERS ALLOW FOR EASY CONDUIT KNOCKOUT INSTALLATION.
 - BUS BARS ARE PROVIDED WITH (10) TWO HOLE LANDINGS PER BUS ON 1-3/4" CENTERS TO ACCEPT Ø1/2" BOLTS. WILL ACCEPT LUGS WITH MAXIMUM TANG WIDTH OF 1-1/2".
 - GROUND BUS IS PROVIDED WITH (4) SINGLE HOLE LANDINGS TO ACCEPT Ø3/8" BOLTS. WILL ACCEPT LUGS WITH MAXIMUM TANG WIDTH OF 2".
 - ALL LANDINGS ARE CAPABLE OF ACCEPTING UP TO (2) LUGS IN BACK TO BACK CONFIGURATION.
 - BREAKER ACCESSORY TERMINAL BLOCK IS UL RECOGNIZED, 600V RATED.



PART NUMBER BREAK DOWN
 DCDF-B3000E652002

- MFR. CODE
- NO. OF PROVISIONS
- BREAKER KAIC
- BREAKER MANUFACTURER: E EATON
- BREAKER AMPS
- COLOR: A=BEIGE, B=BLACK

REVISIONS	REF. DWG. No.	FILE LOCATION:	DIM. IN: INCHES	SCALE: NTS	DRAFTER: CH	DATE: 6/3/21	<p>MITSUBISHI ELECTRIC POWER PRODUCTS, INC. WARRENDALE, PA.</p> <p>TITLE: DC BREAKER LANDING CABINET 1600-3000A 600VDC MAX</p> <p>DWG. No. SHEET 1 OF 1 REV: 2</p>
			<small>THIS DRAWING CONTAINS PROPRIETARY AND CONFIDENTIAL INFORMATION OF C&C POWER, INC. AND HAS BEEN PREPARED FOR THE USE OF MITSUBISHI ELECTRIC POWER PRODUCTS, INC. FOR USE IN CONJUNCTION WITH EQUIPMENT PROVIDED BY C&C POWER, INC. UNAUTHORIZED REPRODUCTION, IN WHOLE OR IN PART, WITHOUT WRITTEN PERMISSION OF C&C POWER, INC. IS PROHIBITED. © 2013 C&C POWER, INC.</small>				
			CHECKED: PB	DATE: 6/3/21	ENGINEER: CH	DATE: 6/3/21	
			APPROVED: PB	DATE: 6/3/21			