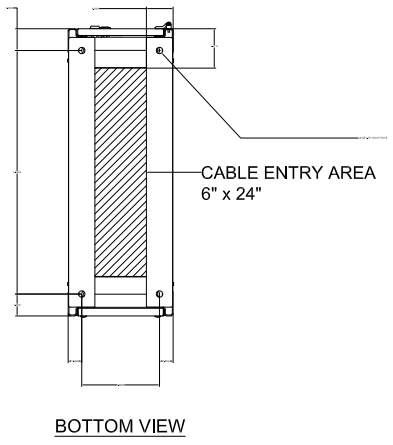


**NOTES:**

1. APPROXIMATE WEIGHT: 365 LBS.
2. ASSEMBLY IS UL/CUL LISTED TO UL 891 AND C22.2 NO. 244.
3. NEMA 1 TYPE ENCLOSURE.
4. THE CABINET IS CONSTRUCTED FROM GALVANIZED STEEL.
5. THE CABINET IS TO BE MOUNTED THROUGH THE 0.750" HOLES IN THE CABINET LEGS. THE LEGS ARE FORMED FROM 10 GAUGE STEEL.
6. FINISH IS POWDER COAT ON ALL EXTERNAL AND VISIBLE SURFACES PER U-ENS00076, INTERIOR PANELS AND MOUNT BRACKETS ARE GALVANIZED FINISH.
7. CABINET LEGS ARE REVERSIBLE FOR EASY ACCESS TO CABINET FLOOR MOUNTING HARDWARE.
8. A MINIMUM CLEARANCE OF 36" IS REQUIRED AT THE FRONT OF THE CABINET.
9. THE EQUIPMENT IS CERTIFIED TO THE INTERNATIONAL BUILDING CODE (IBC) AND THE CALIFORNIA BUILDING CODE (CBC) TO MEET SEISMIC DESIGN CATEGORY F, SS = 2.00 AND IMPORTANCE FACTOR 1.5.

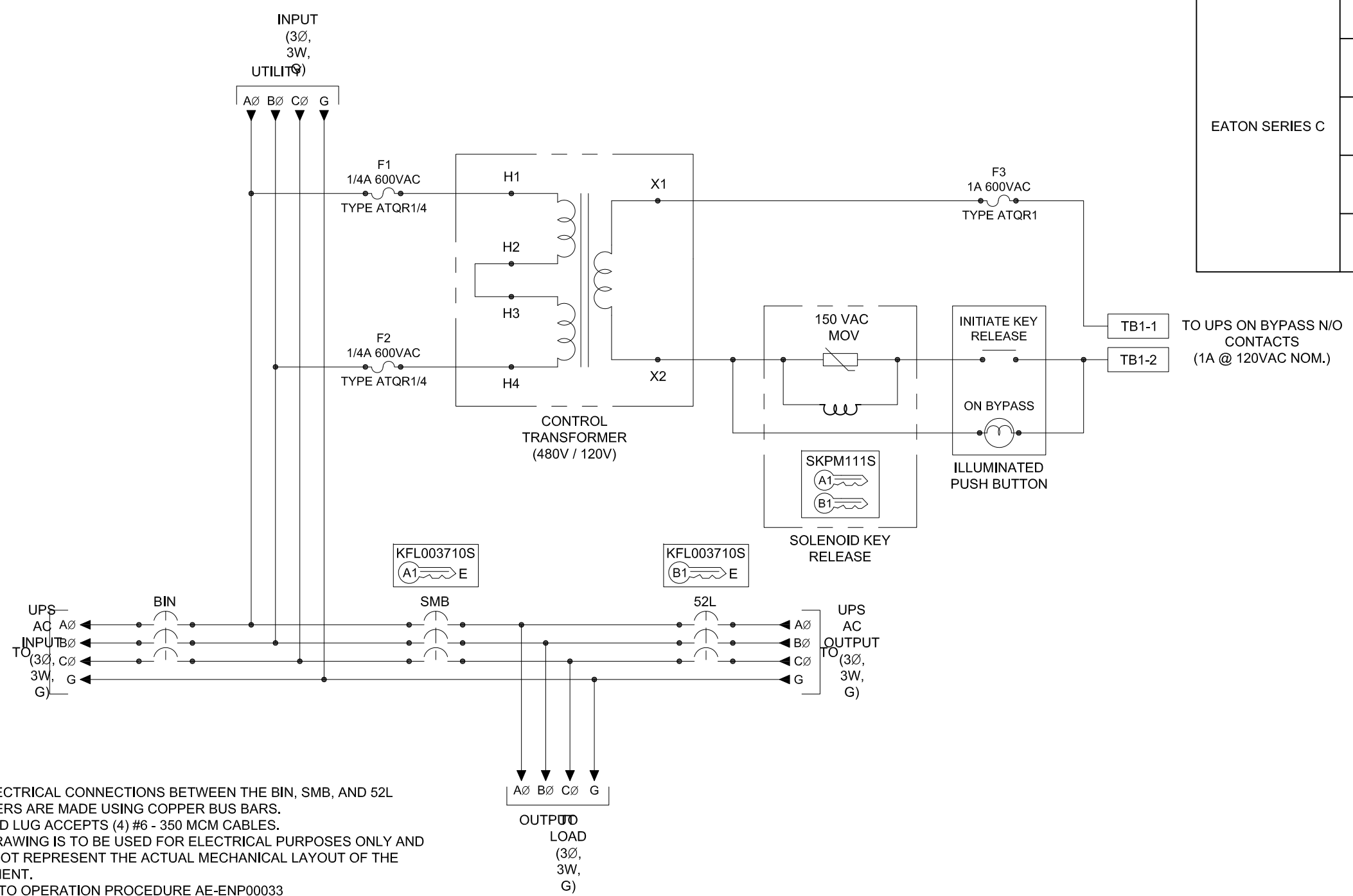


**PART NUMBER BREAK DOWN**  
MBP-BK0125EE06502

- MFR
- KAIC RATING: 014, 035, 065
- INTERLOCK TYPE: K KIRK KEY SCHEME, E SKRU SCHEME
- BREAKER MANUFACTURER: E EATON
- BREAKER RATING (A): 0125, 0150, 0225, 0250, 0350
- VOLTAGE: K 480V
- COLOR: A BEIGE, B BLACK

|                                                              |                                                                    |                |                        |                  |                                                                                  |
|--------------------------------------------------------------|--------------------------------------------------------------------|----------------|------------------------|------------------|----------------------------------------------------------------------------------|
| <b>REVISIONS</b>                                             | 0 - INITIAL RELEASE<br>EGF 8/28/12                                 | SCALE: NTS     | DRAFTER:<br>E. FALK    | DATE<br>08/28/12 | <p>MITSUBISHI ELECTRIC<br/>POWER PRODUCTS, INC.<br/>WARRENDALE, PA.</p>          |
|                                                              | 1 - UPDATED DIMENSIONS<br>EGF 10/4/12                              |                | CHECKED:<br>K. BEAMER  | DATE<br>09/10/12 |                                                                                  |
|                                                              | 2 - UPDATED PART NUMBER BREAK DOWN<br>GDJ 12/05/12                 |                | ENGINEER:<br>E. FALK   | DATE<br>08/28/12 |                                                                                  |
|                                                              | 3 - UPDATED KAIC RATING<br>ZMZ 10/30/17                            |                | APPROVED:<br>K. BEAMER | DATE<br>09/10/12 |                                                                                  |
|                                                              | 4 - ADDED 160KVA RATING TO CIRCUIT BREAKER SUMMARY<br>ZMZ 10/30/17 |                |                        |                  |                                                                                  |
| 5 - UPDATED NOTES AND PART NUMBER BREAK DOWN<br>RAD 12/10/21 |                                                                    |                |                        |                  | TITLE:<br><b>9900A SERIES PERIPHERALS<br/>                 80-225 KVA BYPASS</b> |
|                                                              |                                                                    | REF. DWG. No.  |                        |                  | DWG No. <b>UD-100053</b>                                                         |
|                                                              |                                                                    | FILE LOCATION: |                        |                  | SHEET 1 OF 2                                                                     |
|                                                              |                                                                    |                |                        |                  | <b>5</b>                                                                         |

| CIRCUIT BREAKER SUMMARY |          |               |            |            |            |
|-------------------------|----------|---------------|------------|------------|------------|
| BREAKER TYPE            | KVA      | BREAKER MODEL | TRIP       | AIC        | WIRE RANGE |
| EATON SERIES C          | 80       | FDB3125       | 125A       | 14K @ 480V | (1) 4 - 40 |
|                         |          | HFD3125       |            | 65K @ 480V |            |
|                         | 100      | FDB3150       | 150A       | 14K @ 480V |            |
|                         |          | HFD3150       |            | 65K @ 480V |            |
|                         | 150      | FD3225        | 225A       | 35K @ 480V |            |
|                         |          | HFD3225       |            | 65K @ 480V |            |
| 160                     | KD3250   | 250A          | 35K @ 480V |            |            |
|                         | HKD3250  |               | 65K @ 480V |            |            |
| 225                     | KDB3350  | 350A          | 35K @ 480V |            |            |
|                         | HKDB3350 |               | 65K @ 480V |            |            |



- NOTES:**
- ALL ELECTRICAL CONNECTIONS BETWEEN THE BIN, SMB, AND 52L BREAKERS ARE MADE USING COPPER BUS BARS.
  - GROUND LUG ACCEPTS (4) #6 - 350 MCM CABLES.
  - THIS DRAWING IS TO BE USED FOR ELECTRICAL PURPOSES ONLY AND DOES NOT REPRESENT THE ACTUAL MECHANICAL LAYOUT OF THE EQUIPMENT.
  - REFER TO OPERATION PROCEDURE AE-ENP00033
- KIRK KEY NOTES:**
- THE "E" OR "W" NEXT TO THE INTERLOCK INDICATES THE POSITION OF THE INTERLOCK BOLT WHEN THE KEY IS REMOVABLE. "E" = EXTENDED AND "W" = WITHDRAWN.
  - THE KEY OR KEYS NEXT TO THE INTERLOCK INDICATES THE KEY NUMBER THAT FUNCTIONS WITH THE INTERLOCK.

|           |                                                                                                                                                                                                                                                                                                                                                                      |              |                  |                |                                                                                                                                                     |
|-----------|----------------------------------------------------------------------------------------------------------------------------------------------------------------------------------------------------------------------------------------------------------------------------------------------------------------------------------------------------------------------|--------------|------------------|----------------|-----------------------------------------------------------------------------------------------------------------------------------------------------|
| REVISIONS | DIM. IN: INCHES                                                                                                                                                                                                                                                                                                                                                      | SCALE: NTS   | DRAFTER: E. FALK | DATE: 09/05/12 | <p>MITSUBISHI ELECTRIC POWER PRODUCTS, INC. WARRENDALE, PA.</p> <p>TITLE: 9900A SERIES PERIPHERALS 80-225KVA BYPASS</p> <p>DWG No. SHEET 2 OF 2</p> |
|           | THIS DRAWING CONTAINS PROPRIETARY AND CONFIDENTIAL INFORMATION OF C&C POWER, INC. AND HAS BEEN PREPARED FOR THE USE OF MITSUBISHI ELECTRIC POWER PRODUCTS, INC. FOR USE IN CONJUNCTION WITH EQUIPMENT PROVIDED BY C&C POWER, INC. UNAUTHORIZED REPRODUCTION IN WHOLE OR IN PART, WITHOUT WRITTEN PERMISSION OF C&C POWER, INC. IS PROHIBITED. © 2012 C&C POWER, INC. |              | CHECKED: --      | DATE: --       |                                                                                                                                                     |
|           | REF. DWG. No.                                                                                                                                                                                                                                                                                                                                                        | APPROVED: -- | DATE: --         | DATE: --       |                                                                                                                                                     |
|           | FILE LOCATION:                                                                                                                                                                                                                                                                                                                                                       |              |                  | DATE: --       |                                                                                                                                                     |
|           |                                                                                                                                                                                                                                                                                                                                                                      |              |                  |                |                                                                                                                                                     |