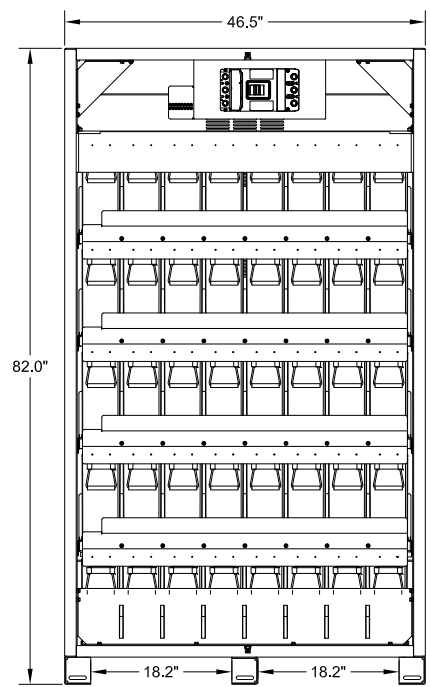


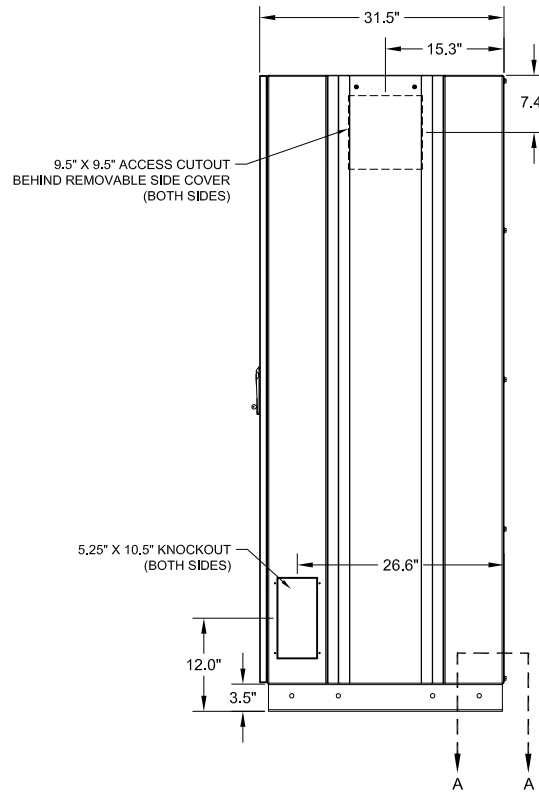
TOP VIEW

PART NUMBER BREAK DOWN  
UBC64-B60040E1110ZA01

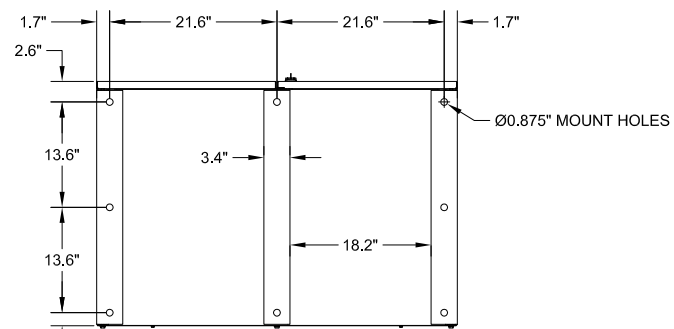
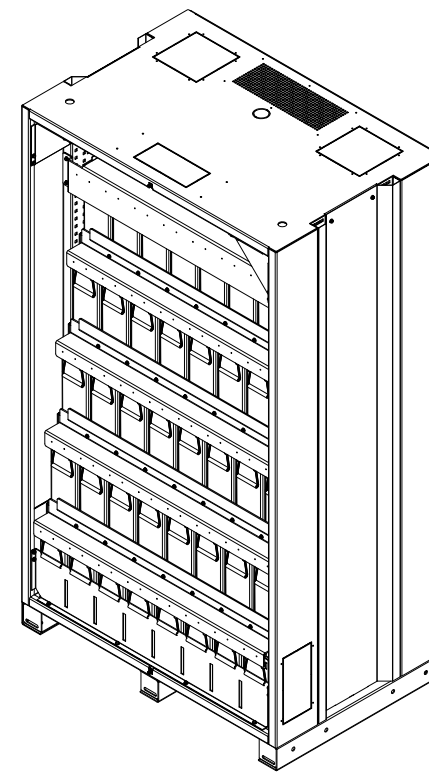
- TABLE CODE: A01 A03
- SEISMIC RATING: BLANK=NONE, H OSHPD, Z SEISMIC
- BATTERY SIZE: 0550 HR5500ET, 1010 12XE1010F-FR, 1110 12XE1110F-FR
- BATTERY MANUFACTURER
- BATTERY QUANTITY: 40
- BREAKER RATING
- COLOR: A BEIGE, B BLACK



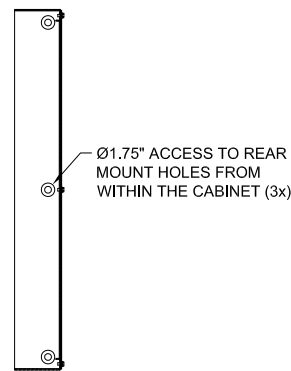
FRONT VIEW  
(DOORS REMOVED)



SECTION VIEW A-A



BOTTOM VIEW



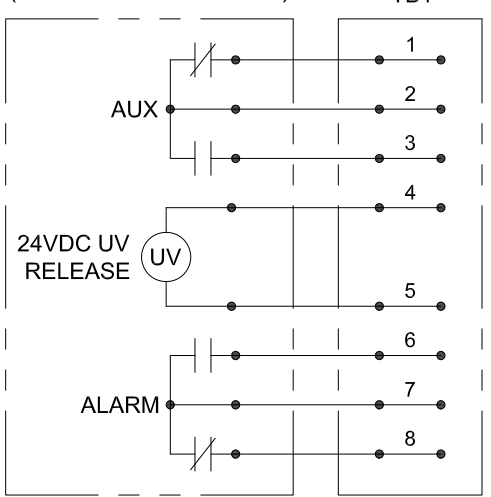
NOTES:

1. EMPTY CABINET WEIGHT (APPROXIMATE): 925 LBS.
2. WEIGHT WITH BATTERIES (APPROXIMATE): 5285-5805 LBS.
3. FACTORY ASSEMBLED BATTERY CABINETS ARE UL AND CUL LISTED TO UL 1778 & CSA C22.2 NO. 107.3 (UL FILE NO. E212683).
4. NEMA 1 TYPE ENCLOSURE.
5. HEAVY GAUGE WELDED STEEL CONSTRUCTION.
6. POWDER COAT FINISH ON EXTERIOR AND INTERIOR OF CABINET.
7. FOR EASE OF CONDUIT INSTALLATION A 16 GAUGE CONDUIT KNOCKOUT PLATE IS PROVIDED TO COVER A KNOCKOUT IN THE CABINET.  
(1) 8"x8" COVER PLATE IS PROVIDED.
8. BATTERIES CAN BE ACCESSED FROM THE FRONT OF THE CABINET.
9. THE CABINET CAN BE MOVED WITH A PALLET JACK OR FORKLIFT USING THE PALLET JACK ACCESS POINT LOCATED AT THE FRONT OR REAR OF THE CABINET. THE CABINET CAN BE MOVED FROM THE SIDES WITH ROL-A-LIFT TYPE EQUIPMENT MOVER. THE CABINET IS ONLY TO BE LIFTED FROM THE BOTTOM.
10. A MINIMUM CLEARANCE OF 36" IS REQUIRED AT THE FRONT OF THE CABINET.
11. A MINIMUM CLEARANCE OF 2" IS REQUIRED AT THE TOP AND THE REAR OF THE CABINET FOR OPTIMAL COOLING.
12. SEISMIC CODE "Z": (OPTIONAL CONFIGURATION) IS CERTIFIED TO THE INTERNATIONAL BUILDING CODE (IBC) AND THE CALIFORNIA BUILDING CODE (CBC) TO MEET SEISMIC DESIGN VATEGORY F, SS=2.0 AND IMPORTANCE FACTOR 1.5.
13. SEISMIC CODE "H": (OPTIONAL CONFIGURATION) IS OSHPD CERTIFIED.

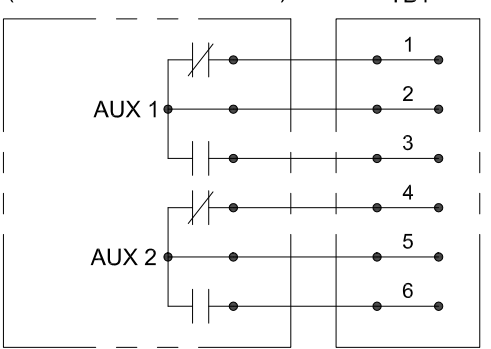
REVISIONS

DWG. No.	INCHES	SCALE:	NTS	DRAFTER:	CH	DATE	11/29/21	<p>MITSUBISHI ELECTRIC POWER PRODUCTS, INC. WARRENDALE, PA.</p>
REF. DWG. No.				CHECKED:	PB	DATE	11/29/21	
FILE LOCATION:				ENGINEER:	CH	DATE	11/29/21	
				APPROVED:	PB	DATE	11/29/21	TITLE: UBC64 BATTERY CABINET
								DWG No. SHEET 1 OF 2 REV: 3

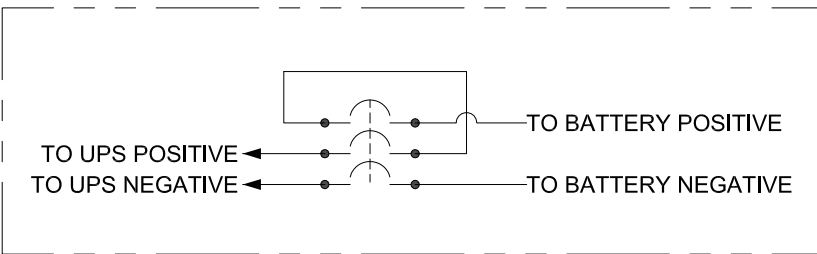
**BREAKER ACCESSORIES (DISCONNECT TYPE A01)**



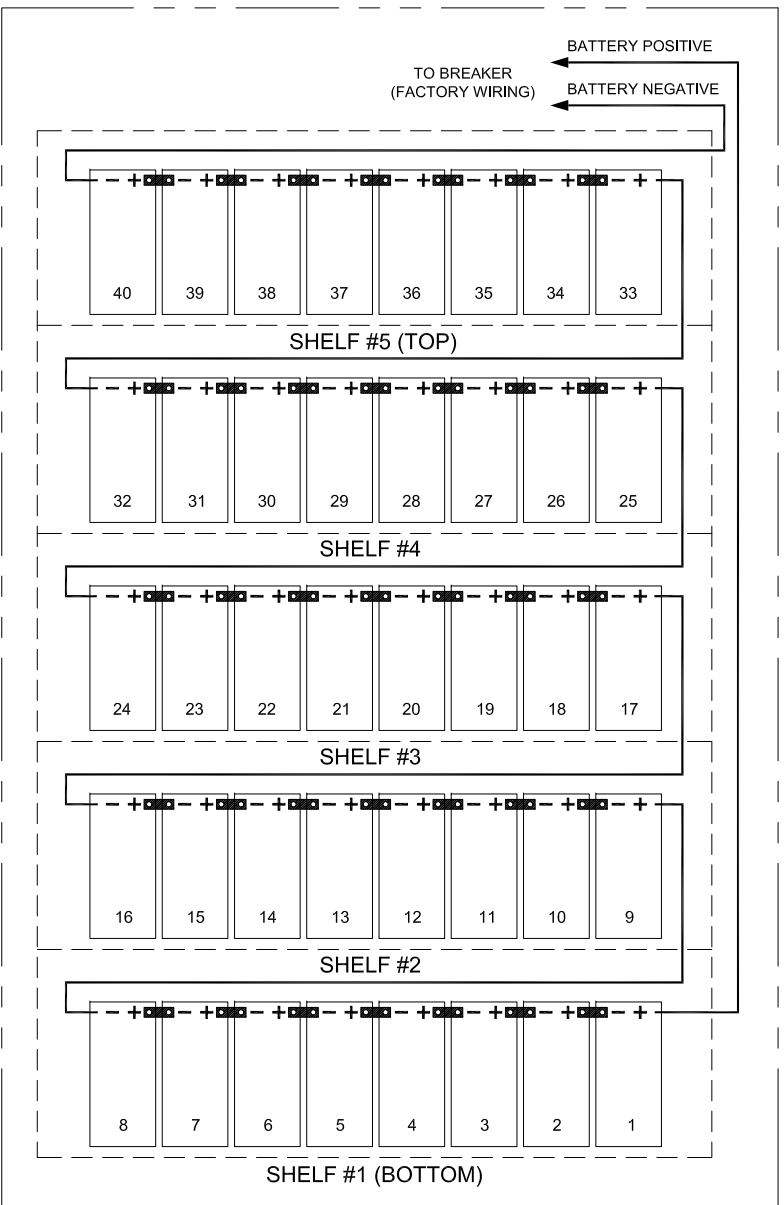
**BREAKER ACCESSORIES (DISCONNECT TYPE A03)**



**BREAKER WIRING**



**TYPICAL BATTERY WIRING**



BREAKER & CABLE INFO												
UPS SIZE	80 KVA	100 KVA	150 KVA	160 KVA	225 KVA	300 KVA	375 KVA	500 KVA	675 KVA	750 KVA	1050 KVA	
BREAKER SIZE AMPS	200A	225A	350A	400A	500A	400A	500A	600A	600A	600A	600A	
BREAKER TIE CABLE	(1) #1	(1) 1/0	(1) 4/0	(1) 4/0	(2) 1/0	(1) 4/0	(2) 1/0	(2) 2/0	(2) 2/0	(2) 2/0	(2) 2/0	
INTERCELL CABLE	(1) #1	(1) 1/0	(1) 4/0	(1) 4/0	(2) 1/0	(1) 4/0	(2) 1/0	(2) 2/0	(2) 2/0	(2) 2/0	(2) 2/0	
AUX, ALARM, UV	YES	YES	YES	YES	YES	YES	YES	YES	YES	YES	NO	
DUAL AUX	NO	NO	NO	NO	NO	NO	NO	NO	NO	NO	YES	

CABINET WEIGHTS	
BATTERY SIZE	SYSTEM WEIGHT
550W	5,805 LBS
1010W	5,285 LBS
1110W	5,565 LBS

- NOTES:**
- ALL INTERNAL WIRING IS UL LISTED MTW STYLE 600V 105C RATED CLASS K STRANDING EXTRA FLEXIBLE CABLE.
  - BREAKER IS UL LISTED.
  - BREAKER ACCESSORY TERMINAL BLOCK IS UL RECOGNIZED, 600V RATED.
  - BATTERY CABINETS WITH BREAKERS ARE SHIPPED WITH BREAKER IN THE OFF POSITION.
  - BREAKERS ARE PROVIDED WITH A POLYCARBONATE SHIELD TO COVER ACCESS TO LIVE PARTS.
  - GROUND LUG ACCEPTS (1) #14-1/0 AWG CABLE.
  - BATTERY CABINETS ARE SHIPPED WITH BATTERY JUMPER REMOVED TO BREAK STRING VOLTAGE FOR ADDED SAFETY IN SHIPPING. JUMPER MUST BE CONNECTED DURING CABINET INSTALLATION. REFER TO THE SYSTEM DRAWING INCLUDED INSIDE CABINET TO IDENTIFY THE JUMPER THAT IS REMOVED.
  - ALL CONTROL WIRING IS POWERED FROM AN OUTSIDE SOURCE.
  - FOR BATTERY TORQUE INFORMATION REFER TO THE SYSTEM DRAWING INCLUDED INSIDE CABINET OR SEE LABEL ON BATTERY CASE.
  - FOR TERMINAL BLOCK TORQUE INFORMATION REFER TO THE ACCESSORY BLOCK WIRING LABEL LOCATED INSIDE THE CABINET DOOR.
  - FOR CIRCUIT BREAKER ACCESSORY AND TORQUE INFORMATION REFER TO THE CIRCUIT BREAKER INFO LABEL LOCATED INSIDE THE CABINET DOOR.
  - CABLES FROM BATTERY CABINET TO UPS SYSTEM ARE PROVIDED BY OTHERS.

EATON SERIES C BREAKER SIZING						
BREAKER SIZE AMPS	15-100A	110-225A	250A	300-350A	400A	450A
AIC @ 250VDC	50K	50K	50K	50K	50K	50K
AIC @ 600 VDC	42K	42K	42K	42K	42K	35K
OUTPUT LUG SIZE	(1) #14-1/0	(1) #4-4/0	(1) #4-350	(1) 250-500	(2) 3/0-250	(2) #4-4/0

BREAKER SIZE AMPS	500A	600A	700A	800A
AIC @ 250VDC	50K	50K	50K	50K
AIC @ 600 VDC	35K	35K	35K	35K
OUTPUT LUG SIZE	(2) 3/0-350	(2) 400-500	(2) #1-500	(3) 3/0-400

EATON SERIES C BREAKER ACCESSORY CONTACT RATING				
<b>VOLTAGE</b>	<b>125 VDC</b>	<b>250 VDC</b>	<b>600 VAC</b>	
<b>AUXILIARY SWITCH</b>	.5 AMPS**	.25 AMPS**	6 AMPS	
<b>BELL ALARM</b>	.5 AMPS**	.25 AMPS**	6 AMPS	
<b>** NON-INDUCTIVE LOAD.</b>				

EATON SERIES G BREAKER SIZING				
BREAKER SIZE AMPS	70-250A	300-350A	400A	500-600A
AIC @ 250VDC	35K	22K	22K	22K
AIC @ 600 VDC	35K	35K	35K	35K
OUTPUT LUG SIZE	(1) #8-350	(1) #3-500	(1) 500-750	(2) #2-500


EATON SERIES G BREAKER ACCESSORY CONTACT RATING					
<b>VOLTAGE</b>	<b>125 VDC</b>	<b>250 VDC</b>	<b>230 VAC</b>	<b>400 VAC</b>	<b>600 VAC</b>
<b>AUXILIARY SWITCH</b>	0.5 AMP**	0.15 AMPS**	6 AMPS	3 AMPS	0.25 AMPS
<b>BELL ALARM</b>	0.5 AMP**	0.15 AMPS**	6 AMPS	3 AMPS	0.25 AMPS
<b>** NON-INDUCTIVE LOAD.</b>					

SIEMENS SERIES VL BREAKER SIZING						
BREAKER SIZE AMPS	100-250A	300-400A	500-600A	700-800A	900A-1200A	
AIC @ 250VDC	30K	30K	30K	22K	22K	
AIC @ 600 VDC	42K	65K	65K	65K	65K	
OUTPUT LUG SIZE	(1) #4-350	(2) 3/0-250	(2) #2-600	(3) 1/0-500	(4) 1/0-500	

SIEMENS BREAKER ACCESSORY CONTACT RATING				
<b>VOLTAGE</b>	<b>300 VDC</b>	<b>300 VAC</b>	<b>600 VAC</b>	
<b>AUXILIARY SWITCH</b>	1 AMPS**	10 AMPS	10 AMPS	
<b>BELL ALARM</b>	1 AMPS**	10 AMPS	10 AMPS	
<b>** NON-INDUCTIVE LOAD.</b>				

SQUARE-D POWERPACT BREAKER SIZING				
BREAKER SIZE AMPS	100-175A	200-250A	300-600A	
AIC @ 500 VDC	50K	50K	50K	
OUTPUT LUG SIZE	(1) #4-4/0	(1) 3/0-350	(2) 2/0-500	

SQUARE-D POWERPACT BREAKER ACCESSORY CONTACT RATING					
<b>VOLTAGE</b>	<b>24 VDC</b>	<b>48 VDC</b>	<b>110-250 VDC</b>	<b>24-690 VAC</b>	
<b>AUXILIARY SWITCH</b>	6 AMPS**	2.5 AMPS**	0.6 AMPS**	6 AMPS	
<b>BELL ALARM</b>	6 AMPS**	2.5 AMPS**	0.6 AMPS**	6 AMPS	
<b>** NON-INDUCTIVE LOAD.</b>					

REVISIONS	REF. DWG. No.	FILE LOCATION:	DIM. IN: INCHES	SCALE: NTS	DRAFTER: CH	DATE: 3/29/21	 <b>MITSUBISHI ELECTRIC POWER PRODUCTS, INC.</b> WARRENDALE, PA.	
	THIS DRAWING CONTAINS PROPRIETARY AND CONFIDENTIAL INFORMATION OF C&C POWER, INC. AND HAS BEEN PREPARED FOR THE USE OF MITSUBISHI ELECTRIC POWER PRODUCTS, INC. FOR USE IN CONJUNCTION WITH EQUIPMENT PROVIDED BY C&C POWER, INC. UNAUTHORIZED REPRODUCTION, IN WHOLE OR IN PART, WITHOUT WRITTEN PERMISSION OF C&C POWER, INC. IS PROHIBITED. © 2013 C&C POWER, INC.		CHECKED: PB	DATE: 3/29/21	ENGINEER: CH	DATE: 3/29/21		TITLE: DC CIRCUIT BREAKER DATA SHEET
	APPROVED: PB	DATE: 3/29/21	DWG No. 1 OF 1	REV: 10				
	CD DATA							