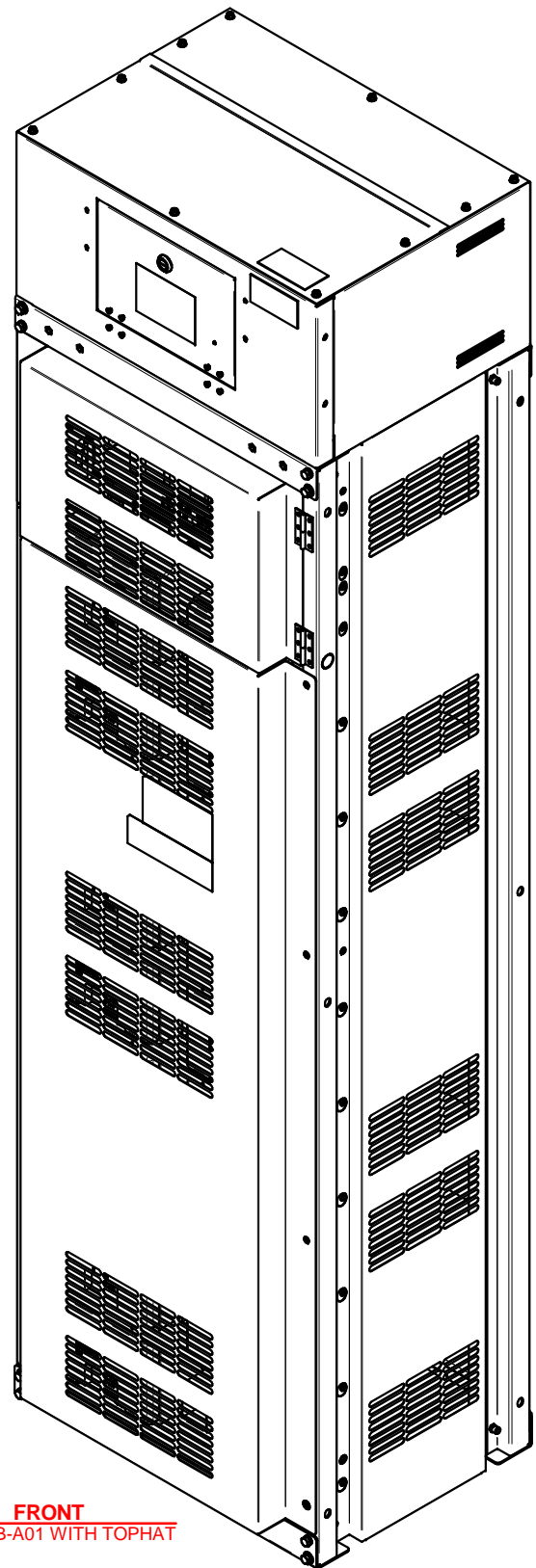



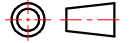
FRONT
BCL04-BB-A01 STANDARD CABINET

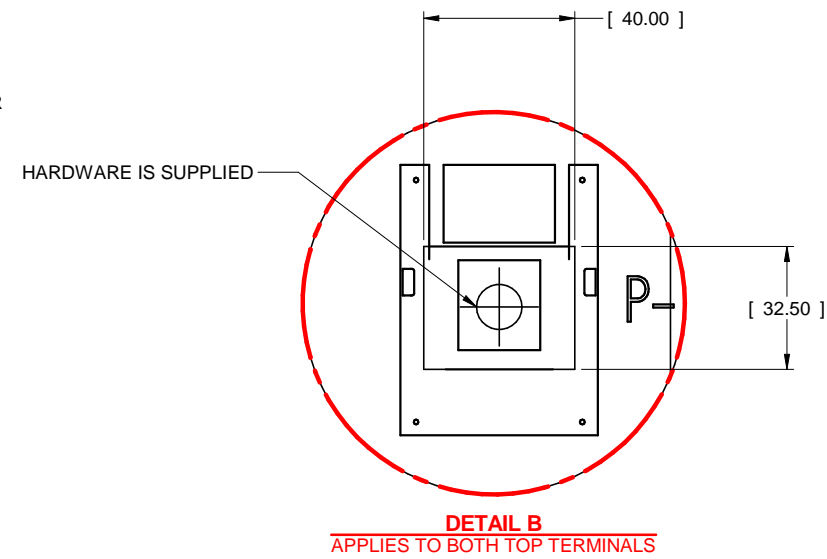
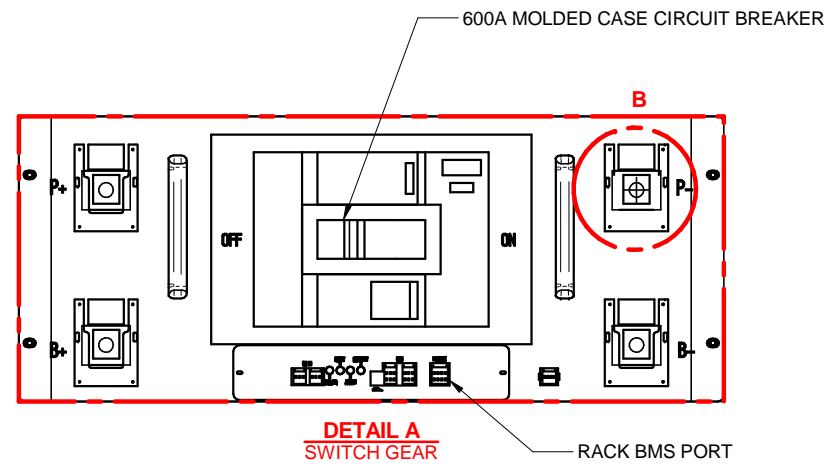
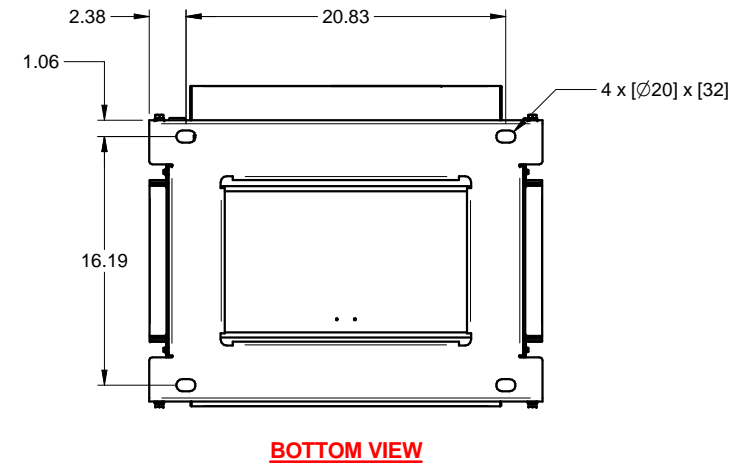
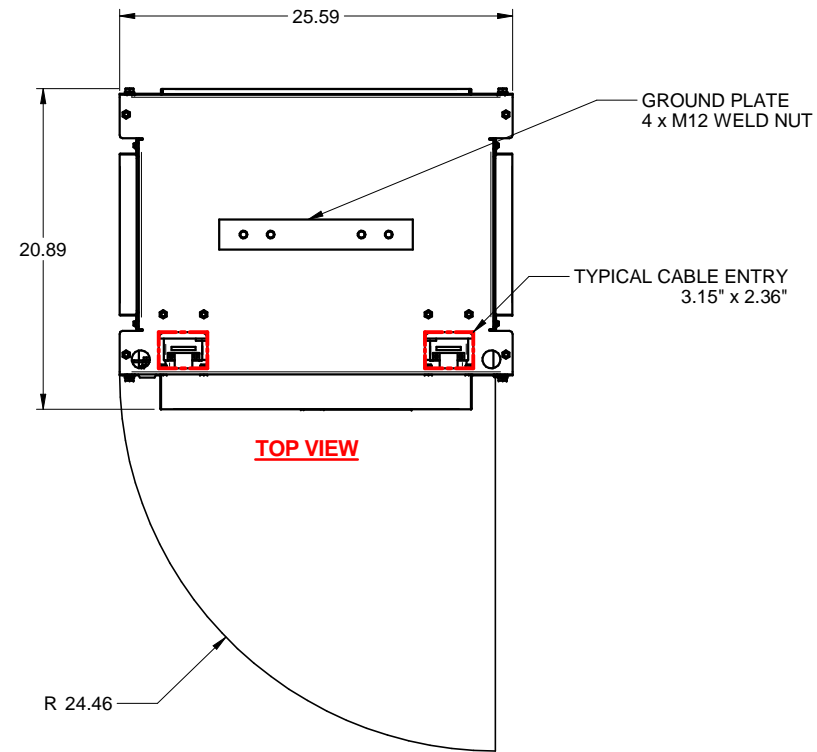
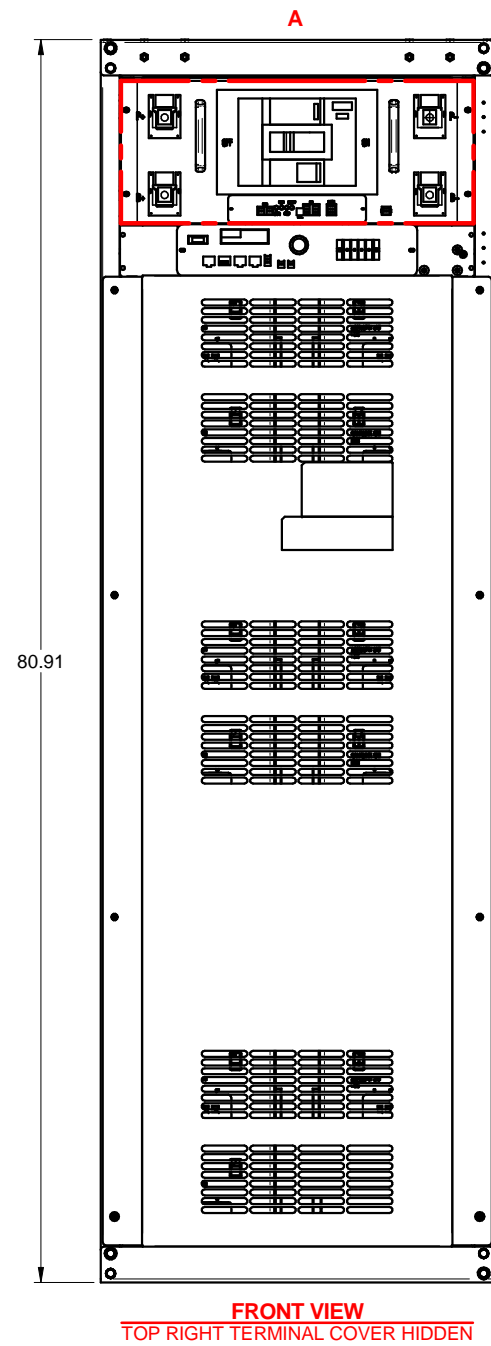


FRONT
BCL04-BB-A01 WITH TOPHAT

BCL04-BB-A01 LITHIUM BATTERY CABINET OPTIONS

REVISIONS
0. INITIAL RELEASE
Z.ZAJAC 1/7/21

DIMENSIONS IN: IN [MM] (REF)	SCALE - NTS -	DRAFTER Z.ZAJAC	DATE 1/7/21	 MITSUBISHI ELECTRIC
<small>PROPRIETARY</small> <small>This document is the property of Mitsubishi Electric Power Products, Inc. and contains proprietary and confidential information which must not be duplicated, used or disclosed other than as expressly authorized by Mitsubishi Electric Power Products, Inc.</small>		APPROVED A.WINTERS	DATE 1/7/21	
CORE/REFERENCE DRAWING (IF APPLICABLE)				TITLE BCL04-BB-A01 LITHIUM BATTERY CABINET
		DWG. NO. UD-101353	SHEET 1 OF 4	REV. 0

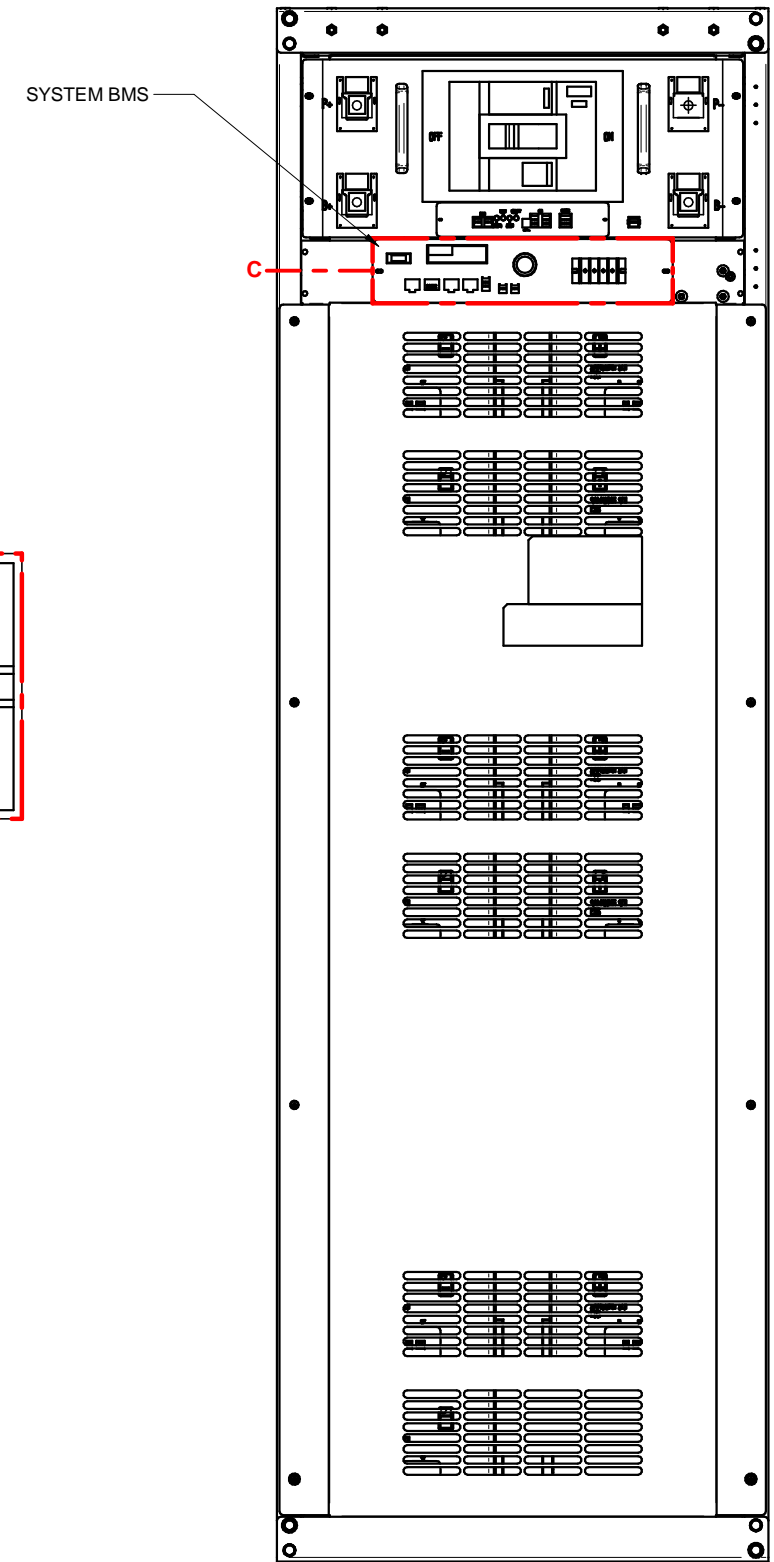
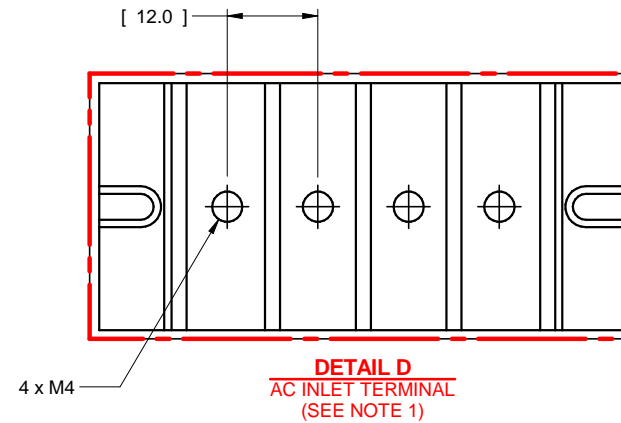
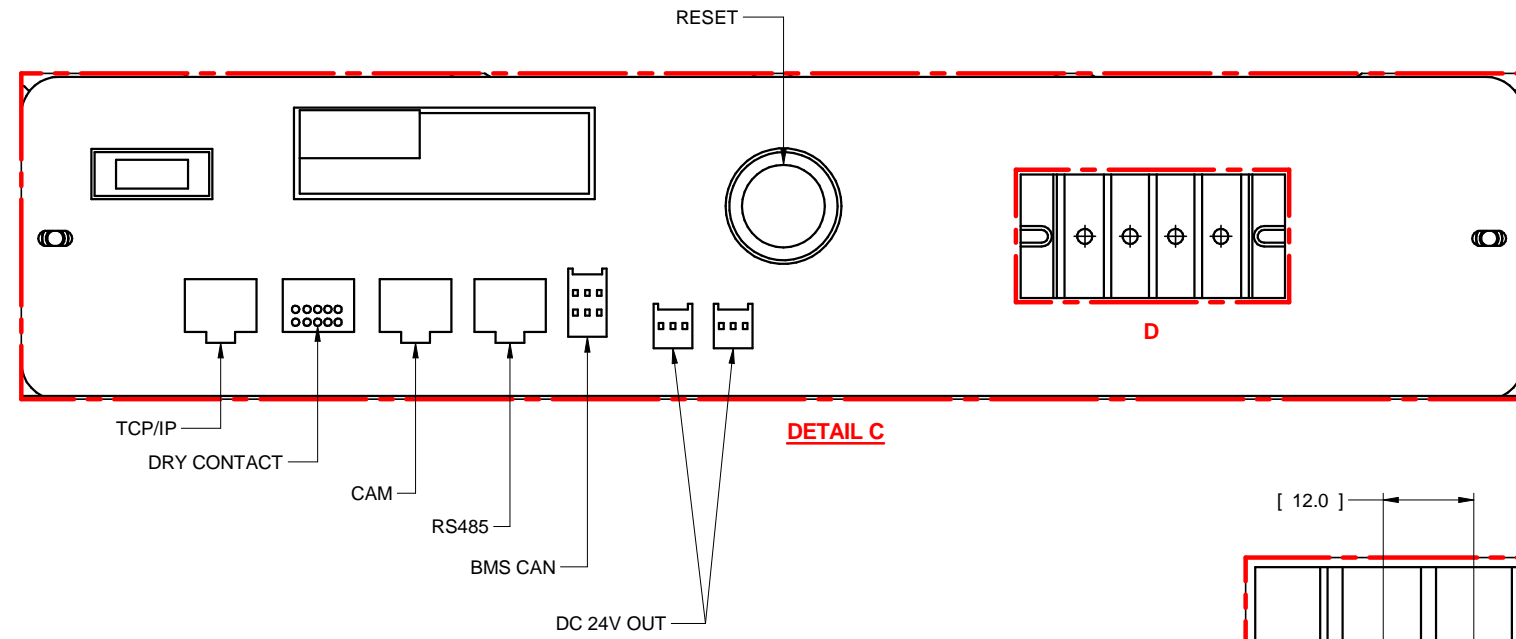


- NOTES:
- 120V CONTROL POWER SUPPLIED AND INSTALLED BY OTHERS.
 - 4 SIGNAL WIRES REQUIRED, 22-16 AWG WIRE SIZE. (SUPPLIED AND INSTALLED BY OTHERS)
 - RACK SPECIFICATIONS.
108KW CONTINUOUS, 151KW MAX POWER
200-342VDC OPERATING VOLTAGE RANGE (PROTECTION LIMIT)
 - ALL FOUR CORNERS OF EVERY CABINET SHALL BE ANCHORED TO FLOOR.
 - APPLY "NO-OX" GREASE TO BATTERY TERMINALS.
 - TOP HAT IS A FIELD INSTALLED ITEM.

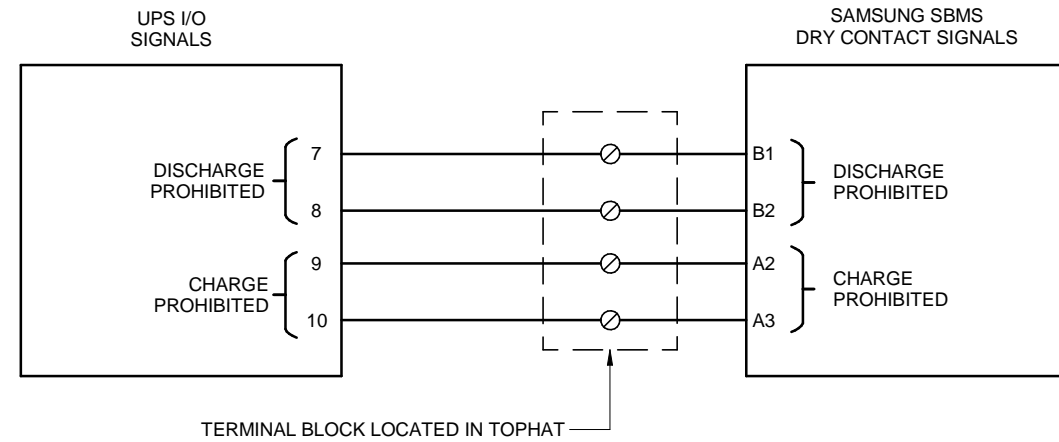
BCL04-BB-A01 STANDARD CABINET

REVISIONS
0. INITIAL RELEASE
Z.ZAJAC 1/7/21

DIMENSIONS IN: IN [MM] (REF)	SCALE - NTS -	DRAFTER Z.ZAJAC	DATE 1/7/21	<p>MITSUBISHI ELECTRIC</p>
<p>PROPRIETARY This document is the property of Mitsubishi Electric Power Products, Inc. and contains proprietary and confidential information which must not be duplicated, used or disclosed other than as expressly authorized by Mitsubishi Electric Power Products, Inc.</p>		APPROVED A.WINTERS	DATE 1/7/21	
CORE/REFERENCE DRAWING (IF APPLICABLE)				TITLE BCL04-BB-A01 LITHIUM BATTERY CABINET
		DWG. NO. UD-101353		SHEET 2 OF 4 REV. 0



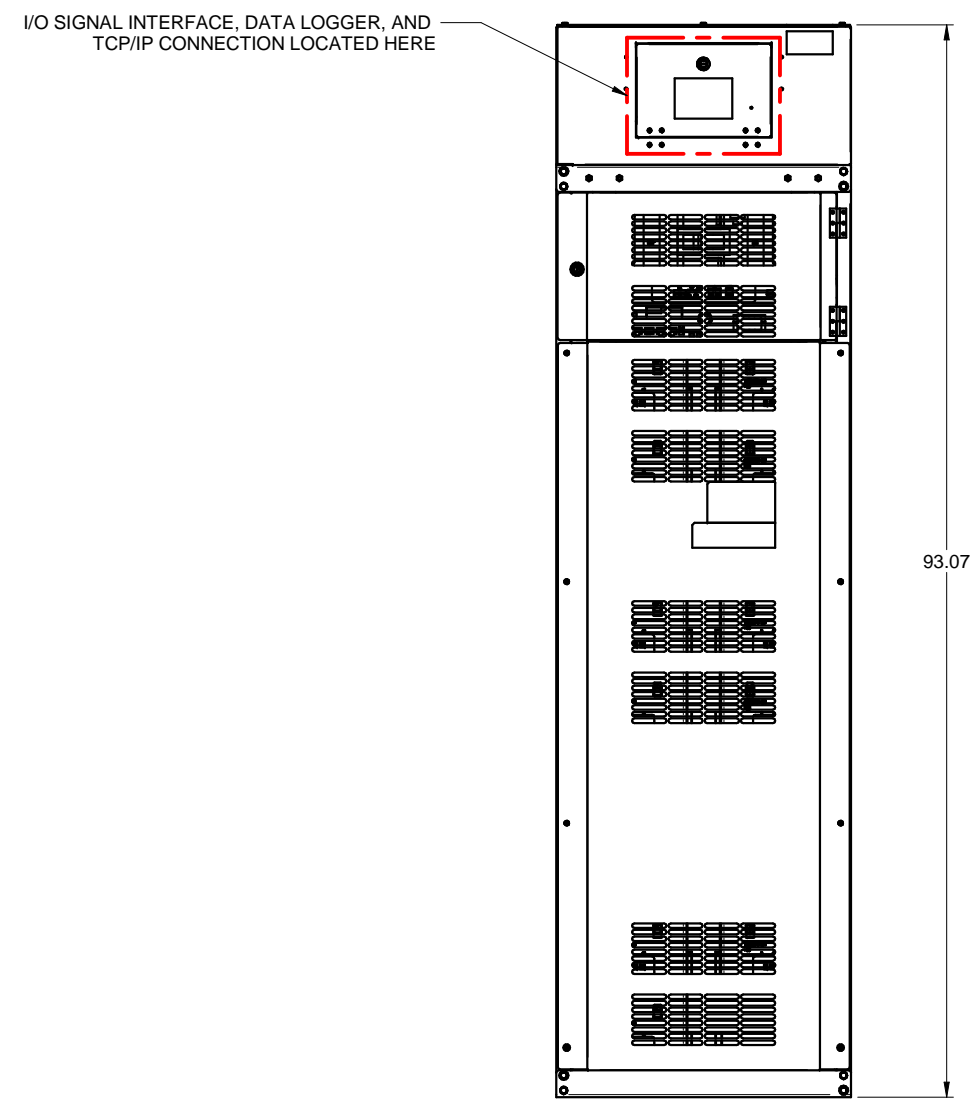
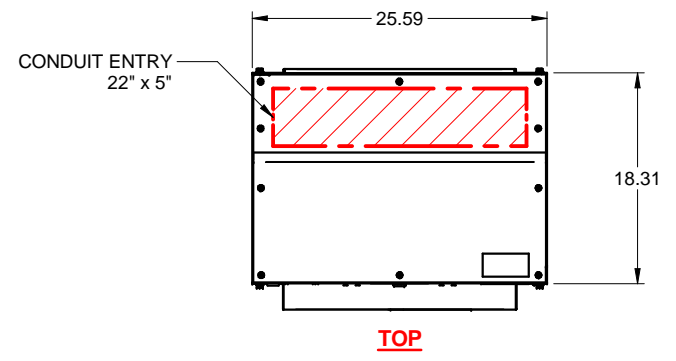
TYPICAL SIGNAL CONNECTIONS TO UPS
SEE NOTE 2



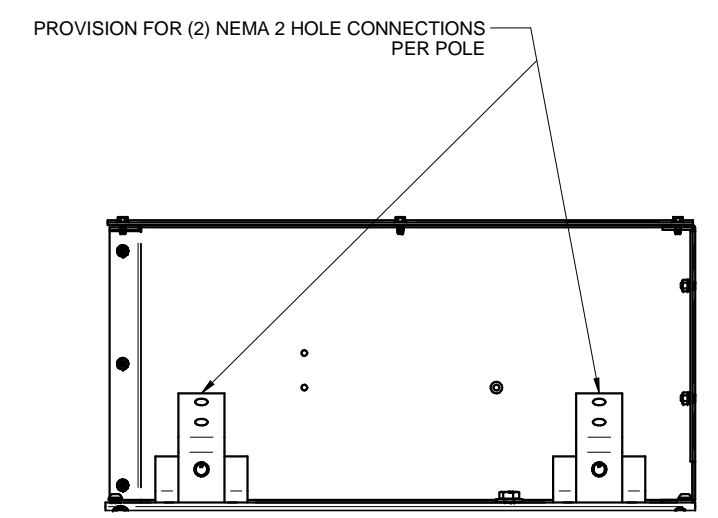
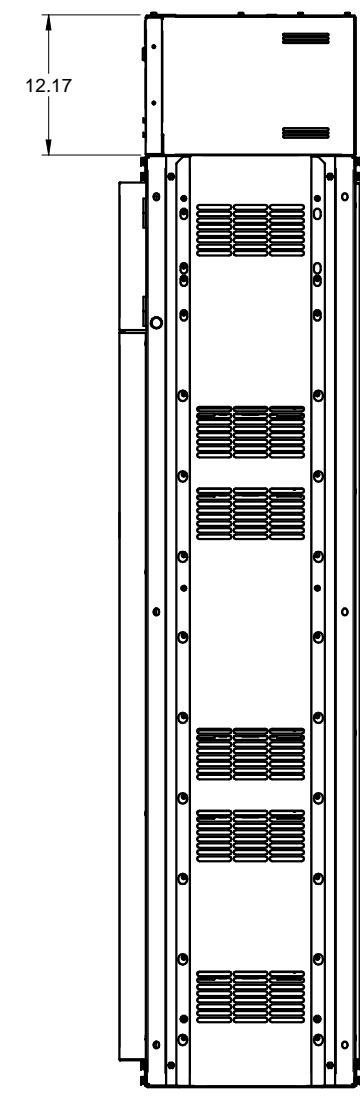
SYSTEM BMS INTERFACE

REVISIONS
0. INITIAL RELEASE
Z.ZAJAC 1/7/21

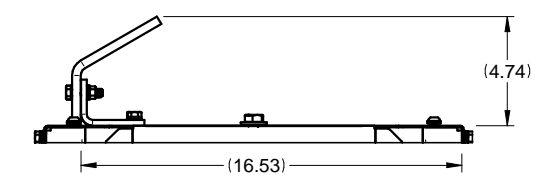
DIMENSIONS IN: IN [MM] (REF)	SCALE - NTS -	DRAFTER Z.ZAJAC	DATE 1/7/21	<p>MITSUBISHI ELECTRIC</p>
<p>PROPRIETARY This document is the property of Mitsubishi Electric Power Products, Inc. and contains proprietary and confidential information which must not be duplicated, used or disclosed other than as expressly authorized by Mitsubishi Electric Power Products, Inc.</p>		APPROVED A.WINTERS	DATE 1/7/21	
CORE/REFERENCE DRAWING (IF APPLICABLE)		DWG. NO. UD-101353		SHEET 3 OF 4 REV. 0



BCL04-BB-A01 WITH TOPHAT
-1 PER RACK
-I/O SIGNAL INTERFACE, DATA LOGGER, AND TCP/IP CONNECTION LOCATED IN MASTER RACK (1 PER SYSTEM)
-UA-100918



FRONT VIEW OF TOPHAT
FRONT PANEL HIDDEN



BUSS TABS SIDE ELEVATION
TOPHAT HIDDEN

BCL04-BB-A01 WITH TOPHAT

REVISIONS
0. INITIAL RELEASE
Z.ZAJAC 1/7/21

DIMENSIONS IN: IN [MM] (REF)	SCALE - NTS -	DRAFTER Z.ZAJAC	DATE 1/7/21	<p>MITSUBISHI ELECTRIC</p>
<p>PROPRIETARY This document is the property of Mitsubishi Electric Power Products, Inc. and contains proprietary and confidential information which must not be duplicated, used or disclosed other than as expressly authorized by Mitsubishi Electric Power Products, Inc.</p>		APPROVED A.WINTERS	DATE 1/7/21	
CORE/REFERENCE DRAWING (IF APPLICABLE)				TITLE BCL04-BB-A01 LITHIUM BATTERY CABINET
		DWG. NO. UD-101353		SHEET 4 OF 4 REV. 0