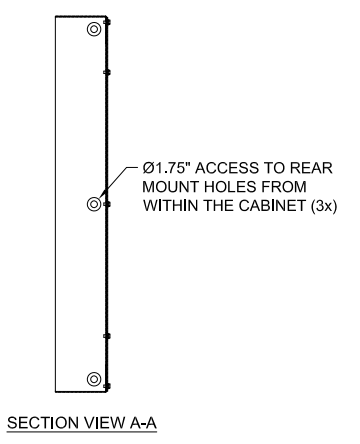
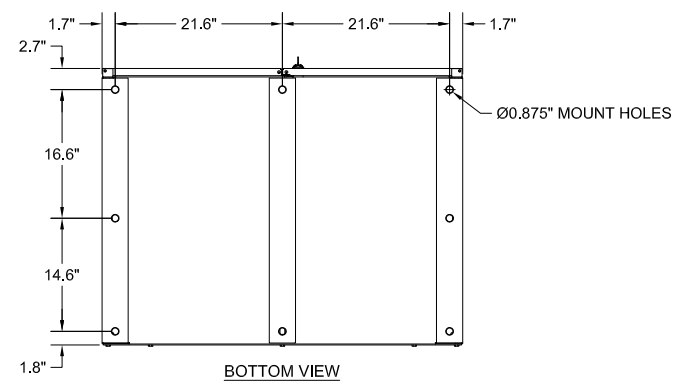
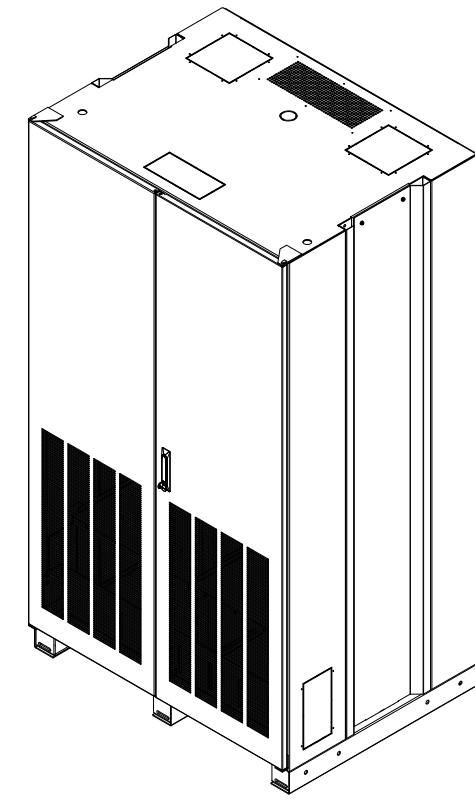
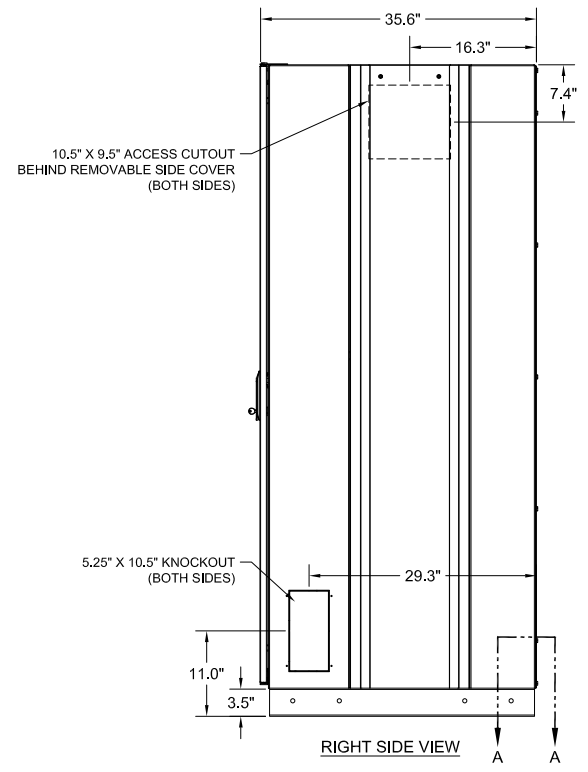
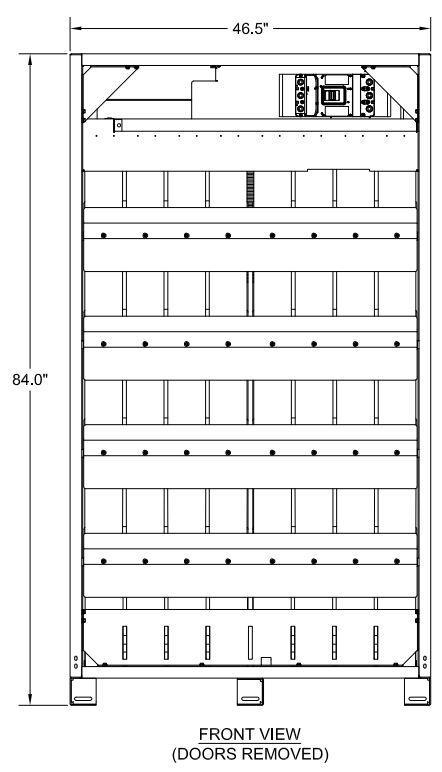


PART NUMBER BREAK DOWN
UBC80-A60040D0750ZA01

- TABLE CODE: A01 A03
- SEISMIC RATING: BLANK=NONE, H OSHPD, Z SEISMIC
- BATTERY SIZE: 0750 HR7500ET, 1150 12XE1150F-FR
- BATTERY MANUFACTURER: D=DEKA, E=ENERSYS
- BATTERY QUANTITY
- BREAKER AMPS
- COLOR: A=BEIGE, B=BLACK

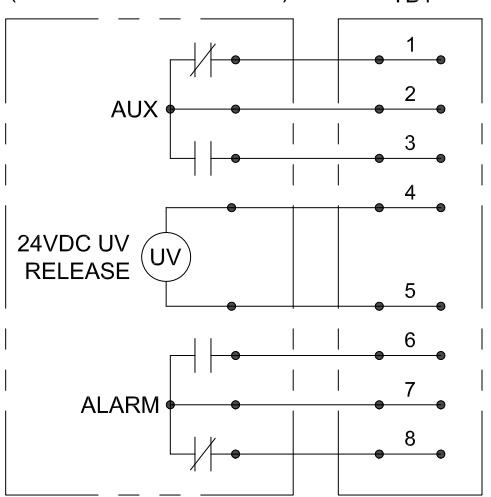


- NOTES:**
1. EMPTY CABINET WEIGHT (APPROXIMATE): 1000 LBS.
 2. WEIGHT WITH BATTERIES (APPROXIMATE): 6410-7210 LBS.
 3. FACTORY ASSEMBLED BATTERY CABINETS ARE UL AND CUL LISTED TO UL 1778 & CSA C22.2 NO. 107.3 (UL FILE NO. E212683).
 4. NEMA 1 TYPE ENCLOSURE.
 5. HEAVY GAUGE WELDED STEEL CONSTRUCTION.
 6. POWDER COAT FINISH ON EXTERIOR AND INTERIOR OF CABINET.
 7. FOR EASE OF CONDUIT INSTALLATION A 16 GAUGE CONDUIT KNOCKOUT PLATE IS PROVIDED TO COVER A KNOCKOUT IN THE CABINET.
(1) 8"x8" COVER PLATE IS PROVIDED.
 8. BATTERIES CAN BE ACCESSED FROM THE FRONT OF THE CABINET.
 9. THE CABINET CAN BE MOVED WITH A PALLET JACK OR FORKLIFT USING THE PALLET JACK ACCESS POINT LOCATED AT THE FRONT OR REAR OF THE CABINET. THE CABINET CAN BE MOVED FROM THE SIDES WITH ROL-A-LIFT TYPE EQUIPMENT MOVER. THE CABINET IS ONLY TO BE LIFTED FROM THE BOTTOM.
 10. A MINIMUM CLEARANCE OF 36" IS REQUIRED AT THE FRONT OF THE CABINET.
 11. A MINIMUM CLEARANCE OF 2" IS REQUIRED AT THE TOP AND THE REAR OF THE CABINET FOR OPTIMAL COOLING.
 12. SEISMIC CODE "Z": (OPTIONAL CONFIGURATION) IS CERTIFIED TO THE INTERNATIONAL BUILDING CODE (IBC) AND THE CALIFORNIA BUILDING CODE (CBC) TO MEET SEISMIC DESIGN VATEGORY F, SS=2.0 AND IMPORTANCE FACTOR 1.5.
 13. SEISMIC CODE "H": (OPTIONAL CONFIGURATION) IS OSHPD CERTIFIED.

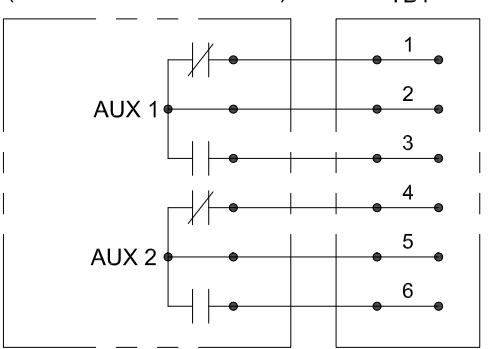
REVISIONS

REF. DWG. No.	FILE LOCATION:	DIM. IN: INCHES	SCALE: NTS	DRAFTER: JRL	CHECKED: CH	ENGINEER: JRL	APPROVED: CH	DATE: 12/14/21	DATE: 12/14/21	DATE: 12/14/21	DATE: 12/14/21	MITSUBISHI ELECTRIC POWER PRODUCTS, INC. WARRENDALE, PA.	TITLE: UBC80 BATTERY CABINET	DWG No. SHEET 1 OF 2 REV: 1
THIS DRAWING CONTAINS PROPRIETARY AND CONFIDENTIAL INFORMATION OF C&C POWER, INC. AND HAS BEEN PREPARED FOR THE USE OF MITSUBISHI ELECTRIC POWER PRODUCTS, INC. FOR USE IN CONJUNCTION WITH EQUIPMENT PROVIDED BY C&C POWER, INC. UNAUTHORIZED REPRODUCTION, IN WHOLE OR IN PART, WITHOUT WRITTEN PERMISSION OF C&C POWER, INC. IS PROHIBITED. © 2021 C&C POWER, INC.														

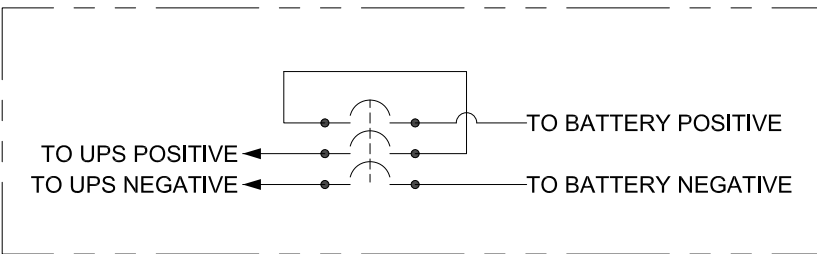
BREAKER ACCESSORIES (DISCONNECT TYPE A01)



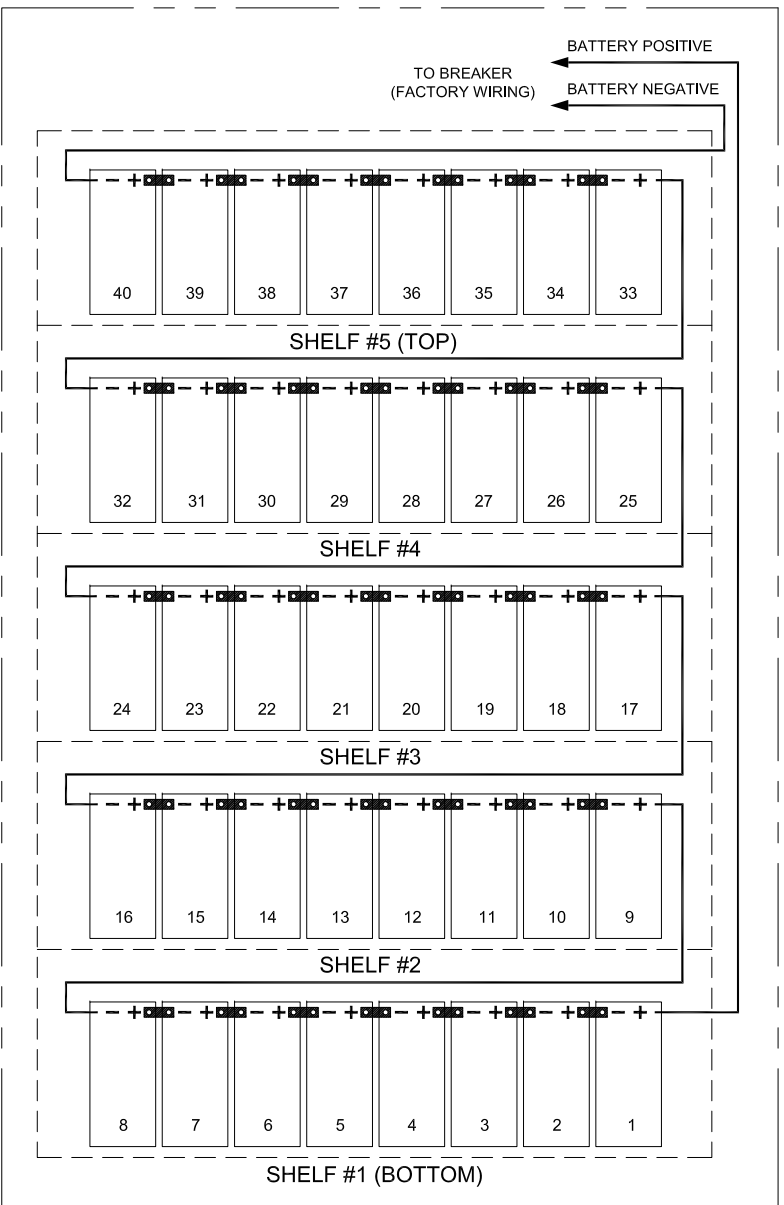
BREAKER ACCESSORIES (DISCONNECT TYPE A03)



BREAKER WIRING



TYPICAL BATTERY WIRING



BREAKER & CABLE INFO											
UPS SIZE	80 KVA	100 KVA	150 KVA	160 KVA	225 KVA	300 KVA	375 KVA	500 KVA	675 KVA	750 KVA	1050 KVA
BREAKER SIZE AMPS	200A	225A	350A	400A	500A	400A	500A	600A	600A	600A	600A
BREAKER TIE CABLE	(1) #1	(1) 1/0	(1) 4/0	(1) 4/0	(2) 1/0	(1) 4/0	(2) 1/0	(2) 2/0	(2) 2/0	(2) 2/0	(2) 2/0
INTERCELL CABLE	(1) #1	(1) 1/0	(1) 4/0	(1) 4/0	(2) 1/0	(1) 4/0	(2) 1/0	(2) 2/0	(2) 2/0	(2) 2/0	(2) 2/0
AUX, ALARM, UV	YES	YES	YES	YES	YES	YES	YES	YES	YES	YES	NO
DUAL AUX	NO	NO	NO	NO	NO	NO	NO	NO	NO	NO	YES

CABINET WEIGHTS	
BATTERY SIZE	SYSTEM WEIGHT
750W	7,210 LBS
1150W	6,410 LBS

- NOTES:**
- ALL INTERNAL WIRING IS UL LISTED MTW STYLE 600V 105C RATED CLASS K STRANDING EXTRA FLEXIBLE CABLE.
 - BREAKER IS UL LISTED.
 - BREAKER ACCESSORY TERMINAL BLOCK IS UL RECOGNIZED, 600V RATED.
 - BATTERY CABINETS WITH BREAKERS ARE SHIPPED WITH BREAKER IN THE OFF POSITION.
 - BREAKERS ARE PROVIDED WITH A POLYCARBONATE SHIELD TO COVER ACCESS TO LIVE PARTS.
 - GROUND LUG ACCEPTS (1) #14-1/0 AWG CABLE.
 - BATTERY CABINETS ARE SHIPPED WITH BATTERY JUMPER REMOVED TO BREAK STRING VOLTAGE FOR ADDED SAFETY IN SHIPPING. JUMPER MUST BE CONNECTED DURING CABINET INSTALLATION. REFER TO THE SYSTEM DRAWING INCLUDED INSIDE CABINET TO IDENTIFY THE JUMPER THAT IS REMOVED.
 - ALL CONTROL WIRING IS POWERED FROM AN OUTSIDE SOURCE.
 - FOR BATTERY TORQUE INFORMATION REFER TO THE SYSTEM DRAWING INCLUDED INSIDE CABINET OR SEE LABEL ON BATTERY CASE.
 - FOR TERMINAL BLOCK TORQUE INFORMATION REFER TO THE ACCESSORY BLOCK WIRING LABEL LOCATED INSIDE THE CABINET DOOR.
 - FOR CIRCUIT BREAKER ACCESSORY AND TORQUE INFORMATION REFER TO THE CIRCUIT BREAKER INFO LABEL LOCATED INSIDE THE CABINET DOOR.
 - CABLES FROM BATTERY CABINET TO UPS SYSTEM ARE PROVIDED BY OTHERS.

REVISIONS	DIM. IN: INCHES	SCALE: NTS	DRAFTER: JRL	DATE: 12/14/21	<p>MITSUBISHI ELECTRIC POWER PRODUCTS, INC. WARRENDALE, PA.</p>
	<small>THIS DRAWING CONTAINS PROPRIETARY AND CONFIDENTIAL INFORMATION OF C&C POWER, INC. AND HAS BEEN PREPARED FOR THE USE OF MITSUBISHI ELECTRIC POWER PRODUCTS, INC. FOR USE IN CONJUNCTION WITH EQUIPMENT PROVIDED BY C&C POWER, INC. UNAUTHORIZED REPRODUCTION, IN WHOLE OR IN PART, WITHOUT WRITTEN PERMISSION OF C&C POWER, INC. IS PROHIBITED. © 2021 C&C POWER, INC.</small>		CHECKED: CH	DATE: 12/14/21	
			ENGINEER: JRL	DATE: 12/14/21	
	REF. DWG. No.	APPROVED: CH	DATE: 12/14/21	DWG No. SHEET 2 OF 2	

FILE LOCATION: 91480-M-SD01-2 REV 1