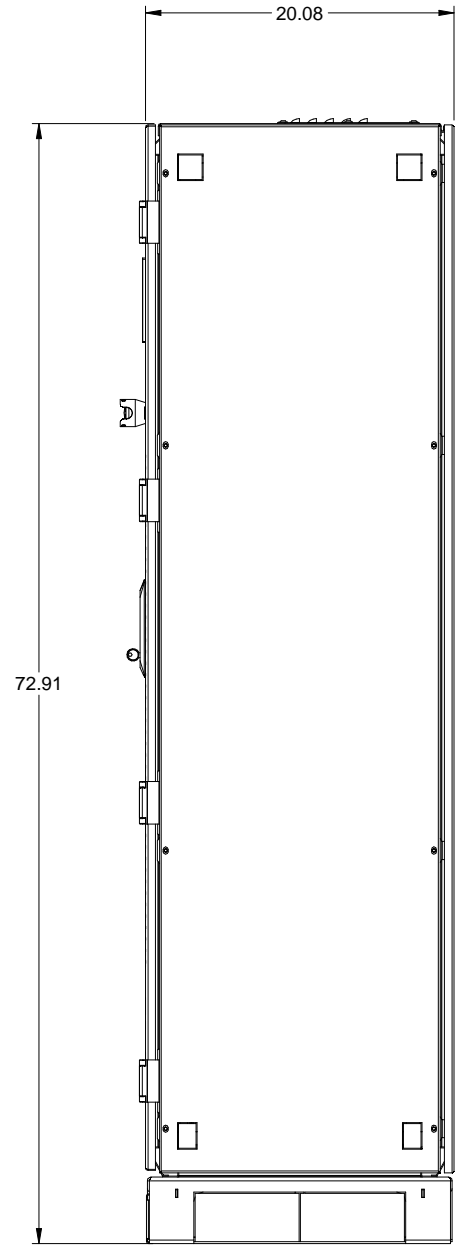
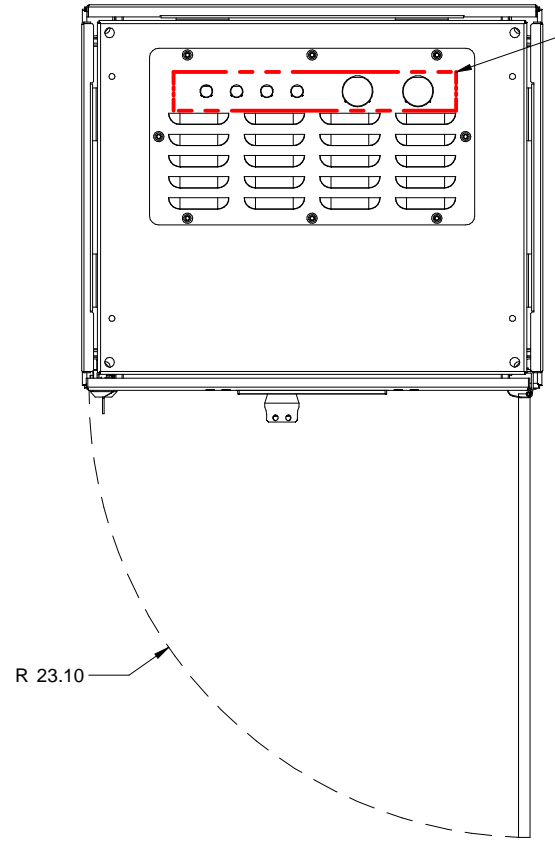


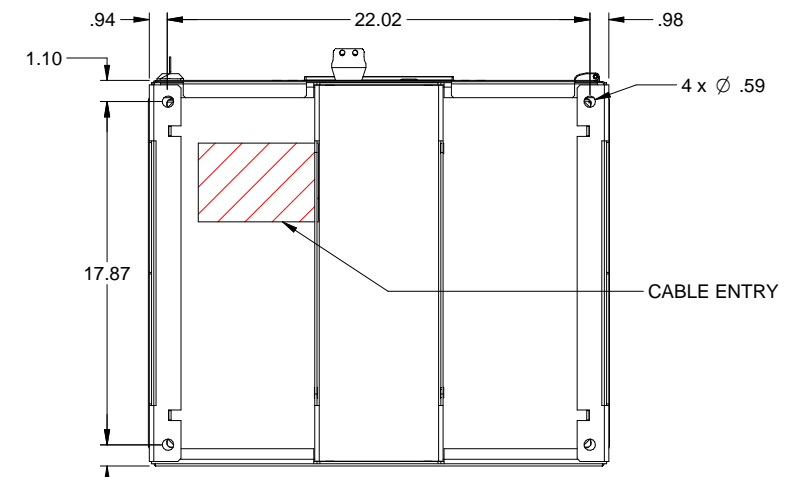
FRONT VIEW
(DOORS REMOVED)



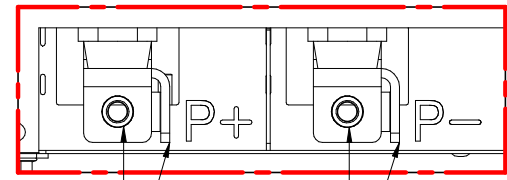
SIDE VIEW



TOP VIEW
(WITH DOOR SWING)



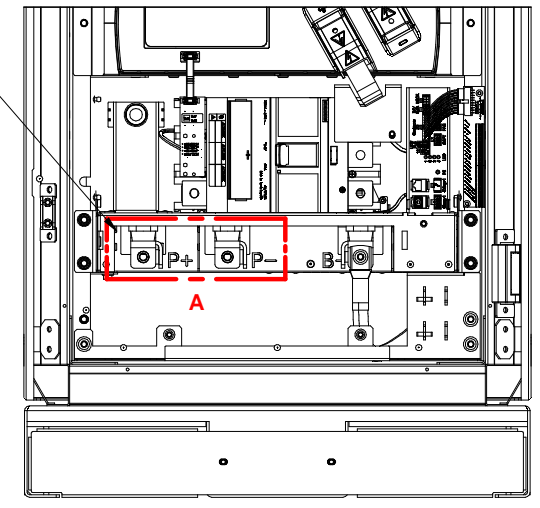
BOTTOM VIEW



DETAIL A

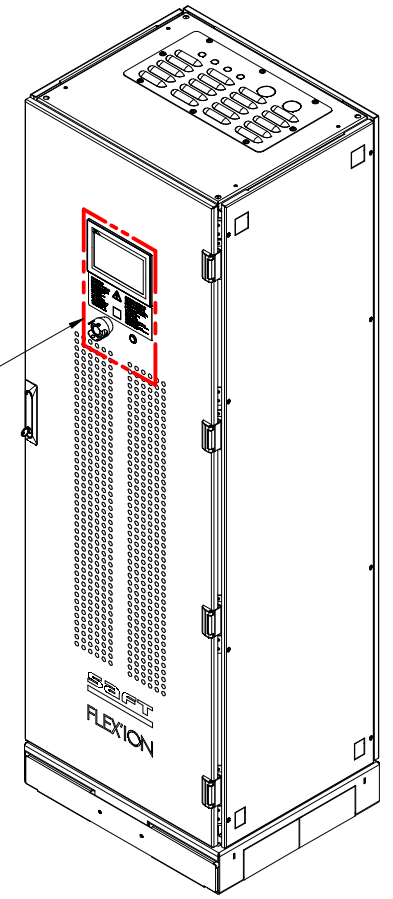
(2) M10 CUSTOMER CONNECTION
TERMINAL BUS (+) PROVISIONS
FOR TWO SINGLE LUG
CABLE TERMINATIONS

(2) M10 CUSTOMER CONNECTION
TERMINAL BUS (-) PROVISIONS
FOR TWO SINGLE LUG
CABLE TERMINATIONS



POWER CONNECTIONS
(LOCATED AT BOTTOM OF CABINET)
(PARTS HIDDEN FOR CLARITY)

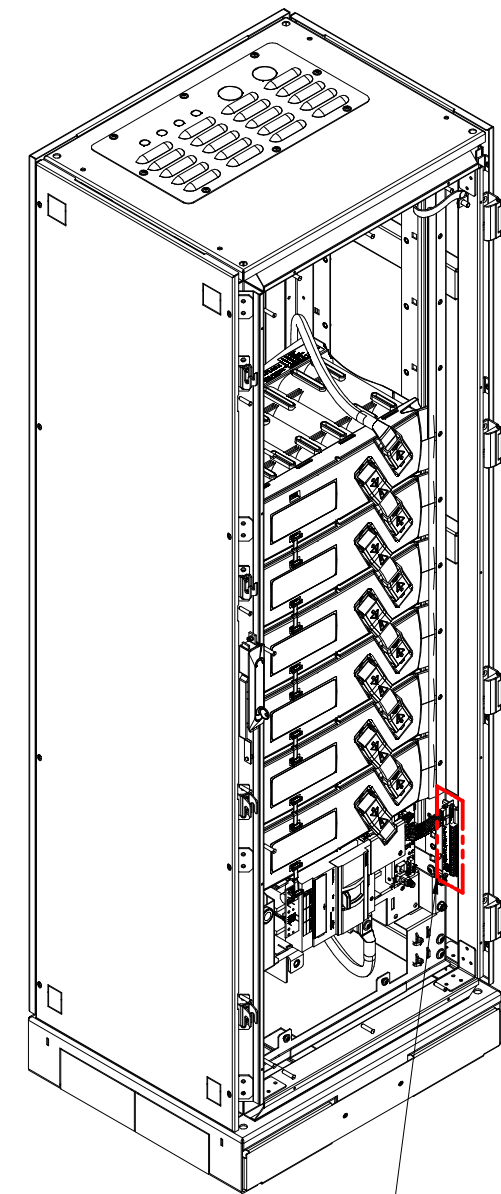
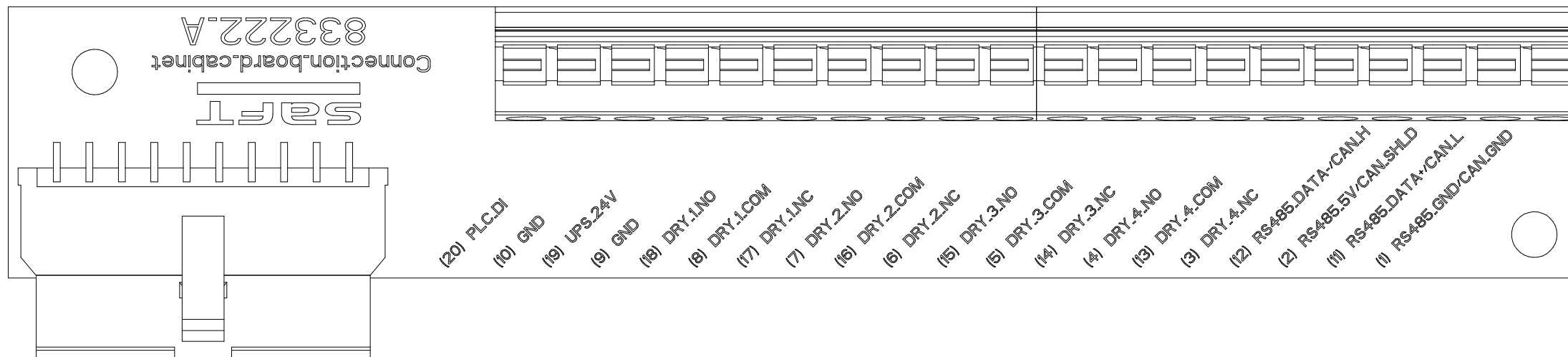
ONLY ONE HMI
REQUIRED PER SYSTEM



- NOTES:
- 4 SIGNAL WIRES REQUIRED. 16-14 AWG WIRE SIZE (SUPPLIED AND INSTALLED BY OTHERS).
 - RACK SPECIFICATIONS:
100KW MAX POWER
210-319 VDC OPERATING VOLTAGE RANGE
 - INSTALLATION AND ANCHORING TO BE IN ACCORDANCE WITH THE MANUFACTURER INSTALLATION REQUIREMENTS.

BCL07

REVISIONS 0. INITIAL RELEASE Z.ZAJAC 3/9/22	DIMENSIONS IN: IN [MM] (REF)	SCALE - NTS -	DRAFTER Z.ZAJAC	DATE 3/9/22	MITSUBISHI ELECTRIC MITSUBISHI ELECTRIC POWER PRODUCTS, INC.
	PROPRIETARY This document is the property of Mitsubishi Electric Power Products, Inc. and contains proprietary and confidential information which must not be duplicated, used or disclosed other than as expressly authorized by Mitsubishi Electric Power Products, Inc.		APPROVED A.WINTER	DATE 3/9/22	
	CORE/REFERENCE DRAWING (IF APPLICABLE)		TITLE BCL07 LITHIUM ION BATTERY CABINET		



UPS I/O SIGNALS
(TYPICAL SEE NOTE 1)

TERMINAL BLOCK CONFIGURATION

REVISIONS
0. INITIAL RELEASE
Z.ZAJAC 3/9/22

DIMENSIONS IN: IN [MM] (REF)	SCALE - NTS -	DRAFTER Z.ZAJAC	DATE 3/9/22	MITSUBISHI ELECTRIC MITSUBISHI ELECTRIC POWER PRODUCTS, INC.
<small>PROPRIETARY</small> <small>This document is the property of Mitsubishi Electric Power Products, Inc. and contains proprietary and confidential information which must not be duplicated, used or disclosed other than as expressly authorized by Mitsubishi Electric Power Products, Inc.</small>		APPROVED A.WINTER	DATE 3/9/22	
CORE/REFERENCE DRAWING (IF APPLICABLE)				TITLE BCL07 LITHIUM ION BATTERY CABINET
		DWG. NO. UD-101595	SHEET 2 OF 2	REV. 0