


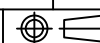
# MITSUBISHI 9900B 750kVA UPS & SIDECAR DIRECT CABLE CONFIGURATION

CUSTOMER -  
PROJECT NUMBER -  
PROJECT LOCATION -

## TABLE OF CONTENTS

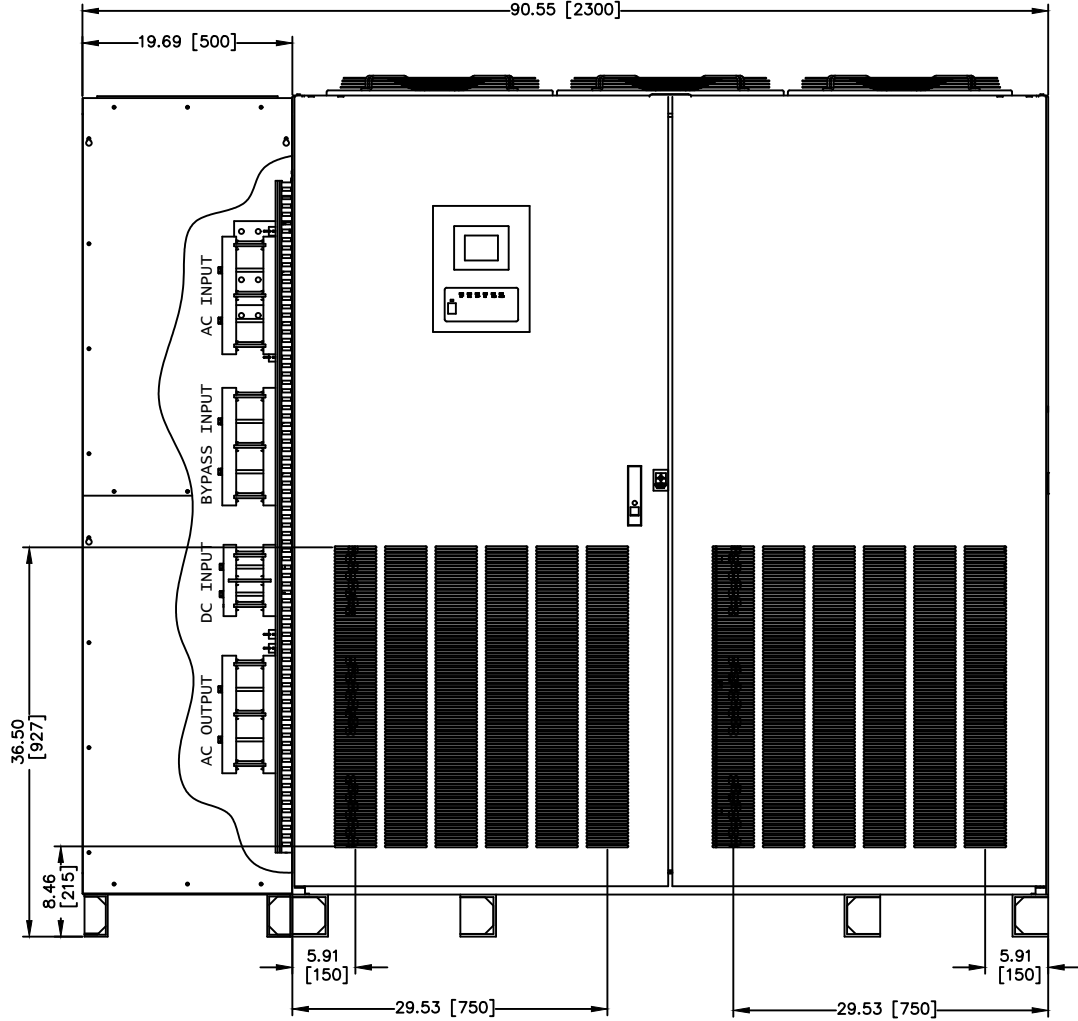
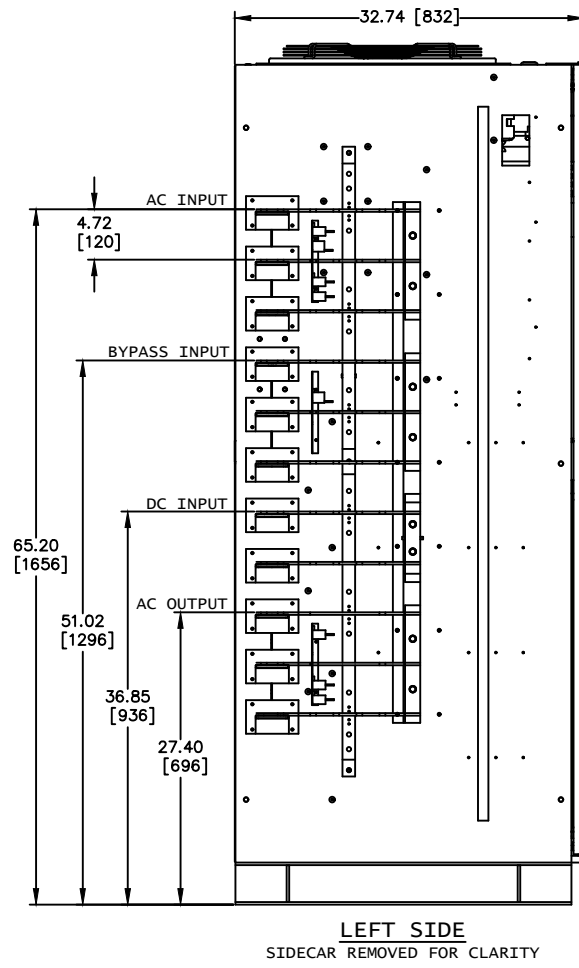
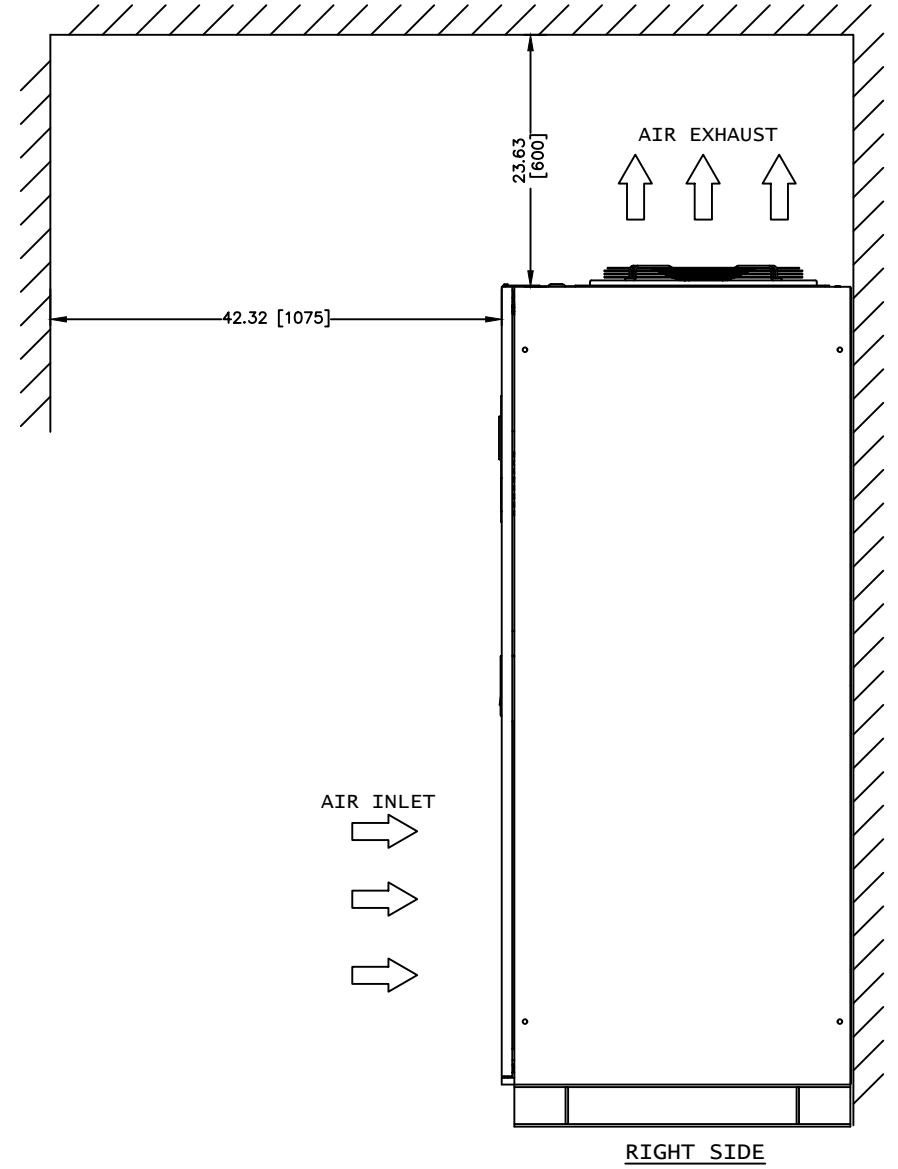
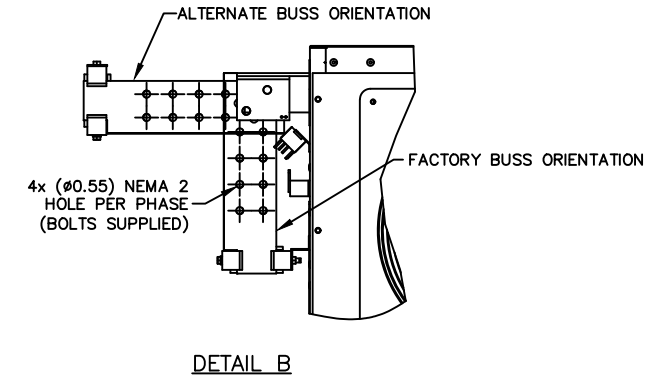
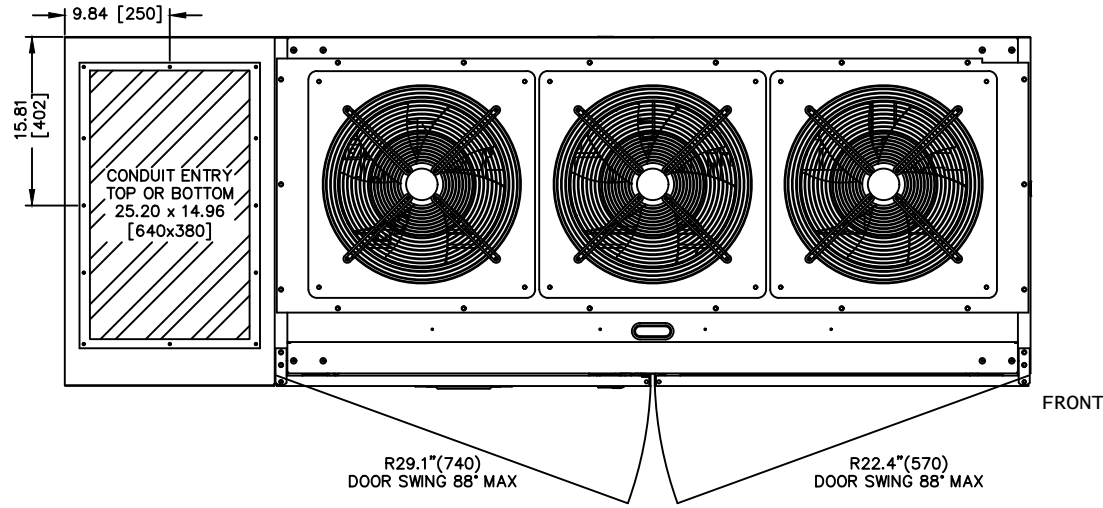
SHEET NO.	TITLE
01	COVER SHEET
02	750kVA UPS & SIDECAR DIRECT CABLE CONFIGURATION
03	750kVA UPS DETAIL
04	UPS ONE-LINE DIAGRAM
05	UPS ELECTRICAL SCHEMATIC
06	UPS CONTACT DIAGRAM
07	
08	
09	
10	
11	
12	
13	
14	
15	

REVISIONS
0 RELEASED FOR USE NRR 6/13/11
01 ELECTRICAL SCHEMATIC REVISED JMB 3/12/12
02 BUS ELEVATIONS REVISED JMB 5/04/12
03 GENERAL REVISIONS NRR 6/27/12
04 REVISED CONDUIT ENTRY RJM 7/13/12
05 REVISED DC GROUND SPS 12/10/13
06 REVISED MOUNTING HOLES RAL 5/7/14
07 GENERAL TEXT REVISION NRR 12/30/14
08 GENERAL TEXT REVISION GDJ 2/19/15
09 GENERAL TEXT REVISION GDJ 7/15/15
10 CHANGED TEXT ON SHEET 2 OF 6 AJK 8/18/17
11 GENERAL TEXT REVISION JM 3/6/18
12 UPDATED WEIGHT TO 4.5225; UPDATED PER EGN 1325 ZZAJAC 6/3/19
13 CHANGED HEIGHT FOR NEW FAN ZZAJAC 6/27/22

DIM. IN: INCHES	SCALE: NTS	DRAFTER: T.DIEBLE	DATE: 06/03/11	 <b>MITSUBISHI ELECTRIC POWER PRODUCTS, INC.</b> WARRENDALE, PA.
PROPRIETARY THIS DOCUMENT IS PROPERTY OF MITSUBISHI ELECTRIC POWER PRODUCTS INC. AND CONTAINS PROPRIETARY AND CONFIDENTIAL INFORMATION WHICH MUST NOT BE DUPLICATED, USED OR DISCLOSED OTHER THAN AS EXPRESSLY AUTHORIZED BY MITSUBISHI ELECTRIC POWER PRODUCTS INC.		CHECKED: N.RIEMER	DATE: 06/03/11	
		ENGINEER: N.RIEMER	DATE: 06/03/11	
REF. DWG. No.	APPROVED:	DATE:	TITLE: 9900B 750kVA UPS STANDARD CONFIGURATION	
FILE LOCATION:			DWG No. UD-100116 SHEET 1 OF 6 REV: 13	

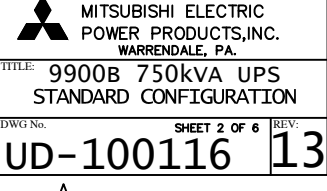
**NOTES**

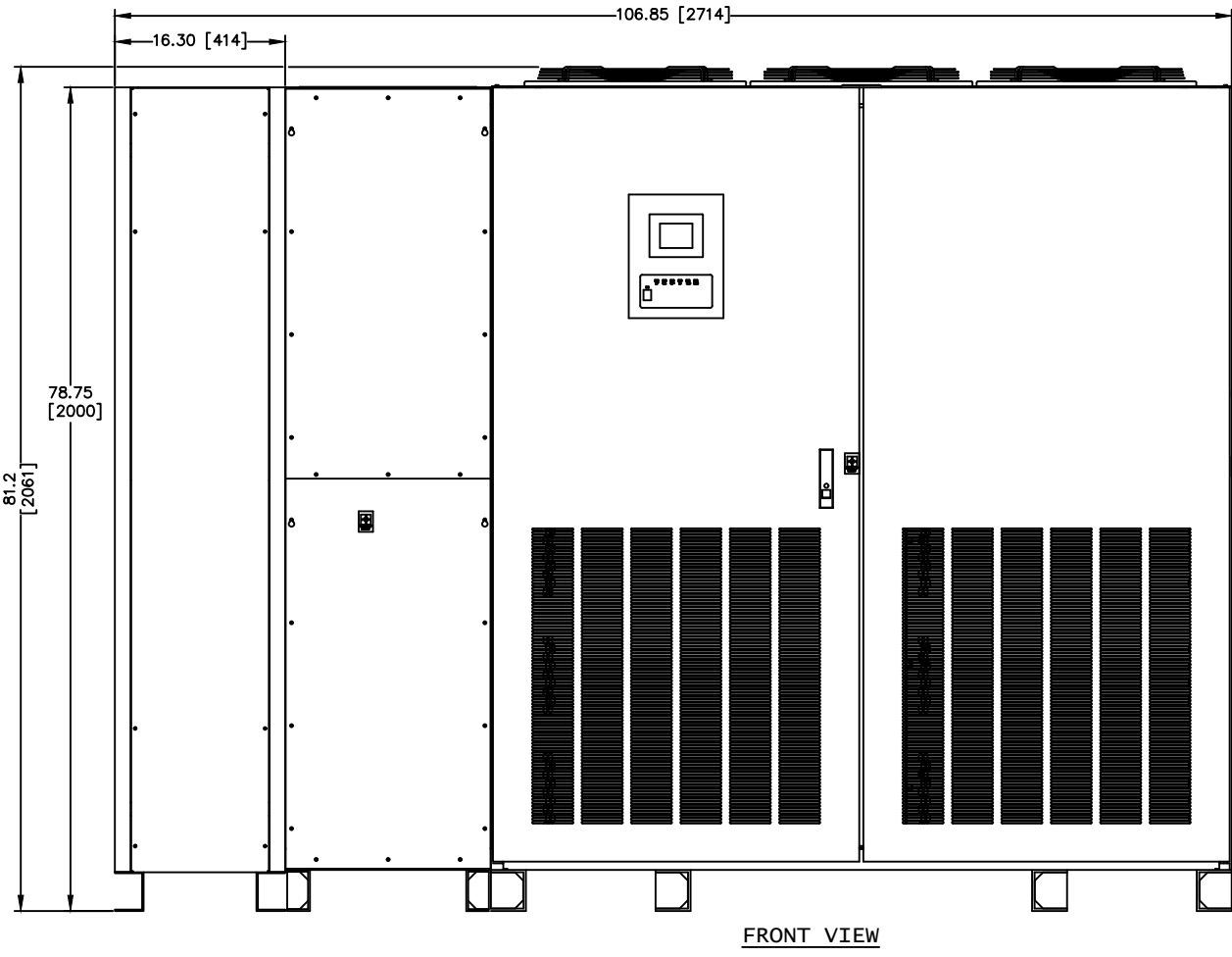
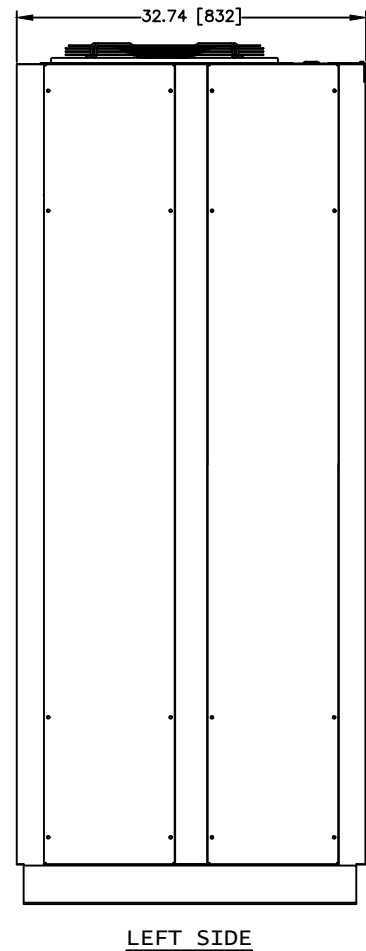
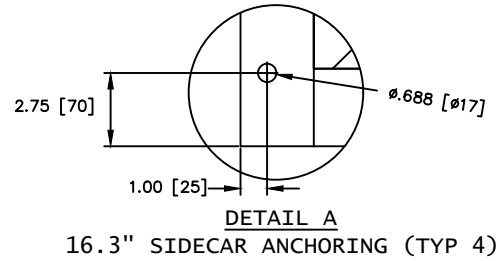
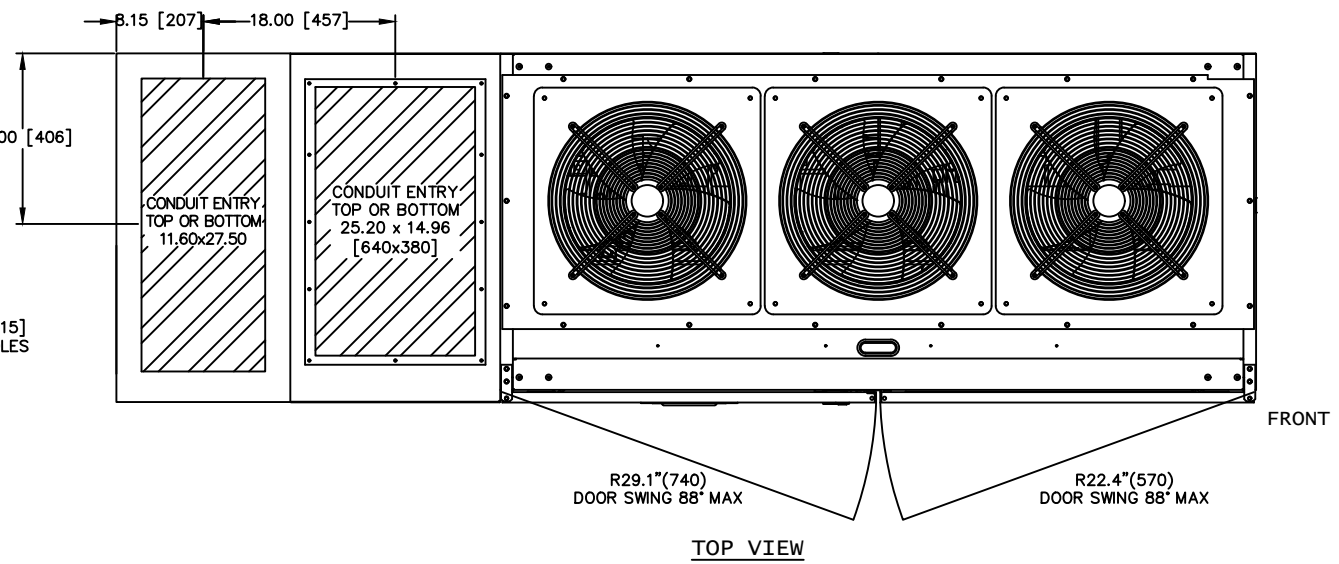
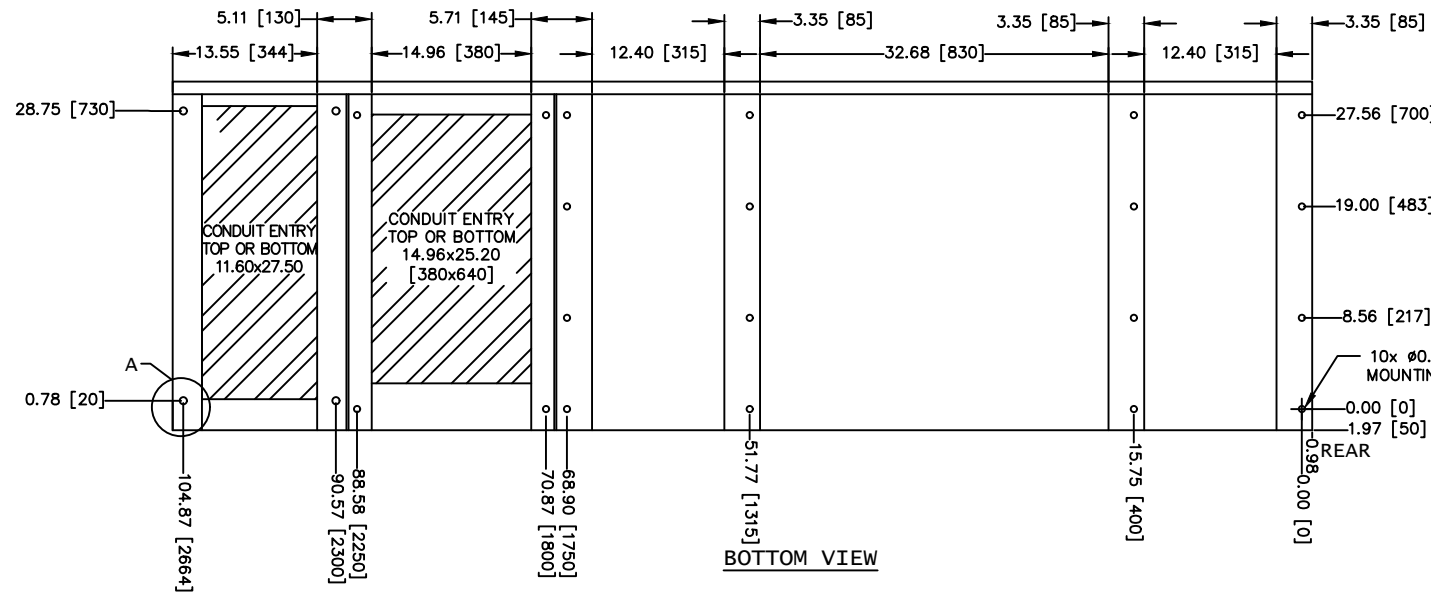
1. FIELD CABLES AND TERMINATIONS BY OTHERS. (AC INPUT, DC INPUT, BYPASS INPUT AND AC OUTPUT.)
2. PHASE ROTATION CLOCKWISE A, B, C.
3. 19.7" SIDECAR SHIPPED ATTACHED TO UPS.
4. CABINET MUST MAINTAIN ±15° UPRIGHT.
5. APPROXIMATE WEIGHT: 4,525LBS (2053KG)
6. HEAT REJECTION  
 98.39 KBTU/HR@ 100%  
 69.66 KBTU/HR@ 75%  
 46.44 KBTU/HR@ 50%



REVISIONS	DATE	BY
0 RELEASED FOR USE	NRR 6/13/11	
01 ELECTRICAL SCHEMATIC REVISED	JMB 3/12/12	
02 BUS ELEVATIONS REVISED	JMB 5/04/12	
03 GENERAL REVISIONS	NRR 6/27/12	
04 REVISED CONDUIT ENTRY	RJM 7/13/12	
05 REVISED DC GROUND SPS	12/10/13	
06 REVISED MOUNTING HOLES	5/7/14	
07 GENERAL TEXT REVISION	NRR 12/30/14	
08 GENERAL TEXT REVISION	GDJ 2/19/15	
09 GENERAL TEXT REVISION	GDJ 7/15/15	
10 CHANGED TEXT ON SHEET 2 OF 6	AJK 8/18/17	
11 GENERAL TEXT REVISION	JM 3/7/18	
12 UPDATED WEIGHT TO 4,525; UPDATED PER ECN 1325	ZZAJAC 6/3/19	
13 CHANGED HEIGHT FOR NEW FAN	ZZAJAC 6/27/22	

DIM. IN: INCHES	SCALE: NTS	DRAFTER: T.DIEBLE	DATE: 06/03/11
PROPRIETARY THIS DOCUMENT IS PROPERTY OF MITSUBISHI ELECTRIC POWER PRODUCTS INC. AND CONTAINS PROPRIETARY AND CONFIDENTIAL INFORMATION WHICH MUST NOT BE DUPLICATED, USED OR DISCLOSED OTHER THAN AS EXPRESSLY AUTHORIZED BY MITSUBISHI ELECTRIC POWER PRODUCTS INC.		CHECKED: N.RIEMER	DATE: 06/03/11
		ENGINEER: N.RIEMER	DATE: 06/03/11
		APPROVED:	DATE:
REF. DWG. No.	FILE LOCATION:	TITLE: 9900B 750kVA UPS STANDARD CONFIGURATION DWG. No. SHEET 2 OF 6	





- NOTES**
1. FIELD CABLES AND TERMINATIONS BY OTHERS.  
(AC INPUT, DC INPUT, BYPASS INPUT AND AC OUTPUT.)
  2. PHASE ROTATION CLOCKWISE A, B, C.
  3. 16.3" SIDECAR SHIPPED SEPARATE FROM UPS.
  4. CABINET MUST MAINTAIN ±15° UPRIGHT.
  5. APPROXIMATE WEIGHT WITH EXTRA SIDECAR: 4,525LBS
  6. HEAT REJECTION  
98.39 KBTU/HR@ 100%  
69.66 KBTU/HR@ 75%  
46.44 KBTU/HR@ 50%

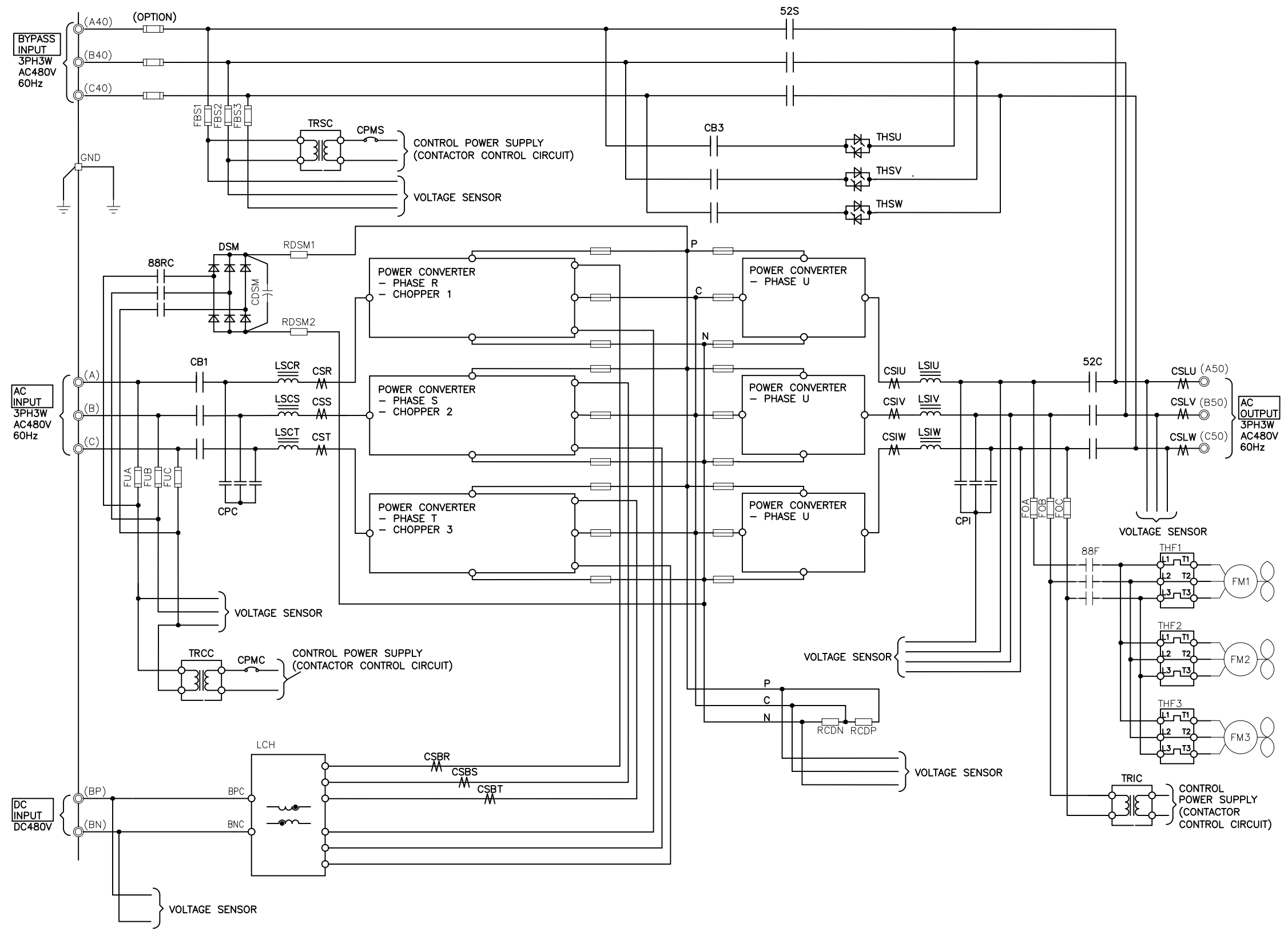
REVISIONS	DATE	DESCRIPTION
0	RELEASED FOR USE	
01	6/13/11	ELECTRICAL SCHEMATIC REVISED
02	3/12/12	BUS ELEVATIONS REVISED
03	5/04/12	GENERAL REVISIONS
04	7/13/12	REVISED CONDUIT ENTRY
05	12/10/13	REVISED DC GROUND SPS
06	5/7/14	REVISED MOUNTING HOLES
07	12/30/14	GENERAL TEXT REVISION
08	2/19/15	GENERAL TEXT REVISION
09	7/15/15	GENERAL TEXT REVISION
10	8/18/17	CHANGED TEXT ON SHEET 2 OF 6
11	3/6/18	GENERAL TEXT REVISION
12	6/3/19	UPDATED WEIGHT TO 4,525; UPDATED PER EGN 1325
13	6/27/22	CHANGED HEIGHT FOR NEW FAN

DIM. IN: INCHES	SCALE: NTS	DRAFTER: T.DIEBLE	DATE: 06/03/11
PROPRIETARY THIS DOCUMENT IS PROPERTY OF MITSUBISHI ELECTRIC POWER PRODUCTS INC. AND CONTAINS PROPRIETARY AND CONFIDENTIAL INFORMATION WHICH MUST NOT BE DUPLICATED, USED OR DISCLOSED OTHER THAN AS EXPRESSLY AUTHORIZED BY MITSUBISHI ELECTRIC POWER PRODUCTS INC.		CHECKED: N.RIEMER	DATE: 06/03/11
REF. DWG. No.		ENGINEER: N.RIEMER	DATE: 06/03/11
FILE LOCATION:		APPROVED:	DATE:

**MITSUBISHI ELECTRIC POWER PRODUCTS, INC.**  
WARRENDALE, PA.

TITLE: **9900B 750kVA UPS STANDARD CONFIGURATION**

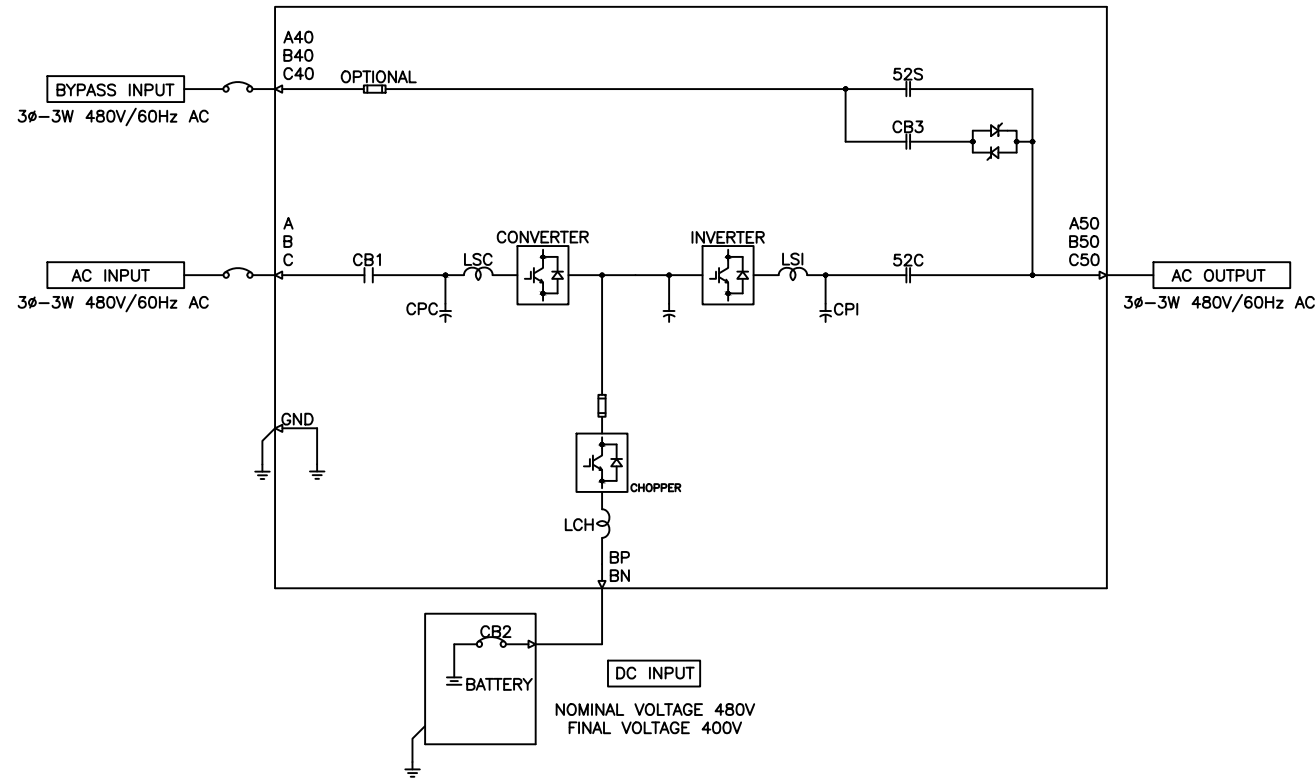
DWG. No. **UD-100116** SHEET 3 OF 6 REV: **13**



REVISIONS
0 RELEASED FOR USE NRR 6/13/11
01 ELECTRICAL SCHEMATIC REVISED JMB 3/12/12
02 BUS ELEVATIONS REVISED JMB 5/04/12
03 GENERAL REVISIONS NRR 6/27/12
04 REVISED CONDUIT ENTRY RJM 7/13/12
05 REVISED DC GROUND SPS 12/10/13
6 REVISED MOUNTING HOLES RAL 5/7/14
7 GENERAL TEXT REVISION NRR 12/30/14
8 GENERAL TEXT REVISION GDJ 2/19/15
9 GENERAL TEXT REVISION GDJ 7/15/15
10 CHANGED TEXT ON SHEET 2 OF 6 AJK 8/18/17
11 GENERAL TEXT REVISION JMI 3/6/18
12 UPDATED WEIGHT TO 4.525; UPDATED PER ECN 1325 ZZAJAC 6/3/19
13 CHANGED HEIGHT FOR NEW FAN ZZAJAC 6/27/22

DIM. IN: INCHES	SCALE: NTS	DRAFTER: T.DIEBLE	DATE: 06/03/11
<small>PROPRIETARY THIS DOCUMENT IS PROPERTY OF MITSUBISHI ELECTRIC POWER PRODUCTS INC. AND CONTAINS PROPRIETARY AND CONFIDENTIAL INFORMATION WHICH MUST NOT BE DUPLICATED, USED OR DISCLOSED OTHER THAN AS EXPRESSLY AUTHORIZED BY MITSUBISHI ELECTRIC POWER PRODUCTS INC.</small>		CHECKED: N.RIEMER	DATE: 06/03/11
REF. DWG. No.		ENGINEER: N.RIEMER	DATE: 06/03/11
FILE LOCATION:		APPROVED:	DATE:

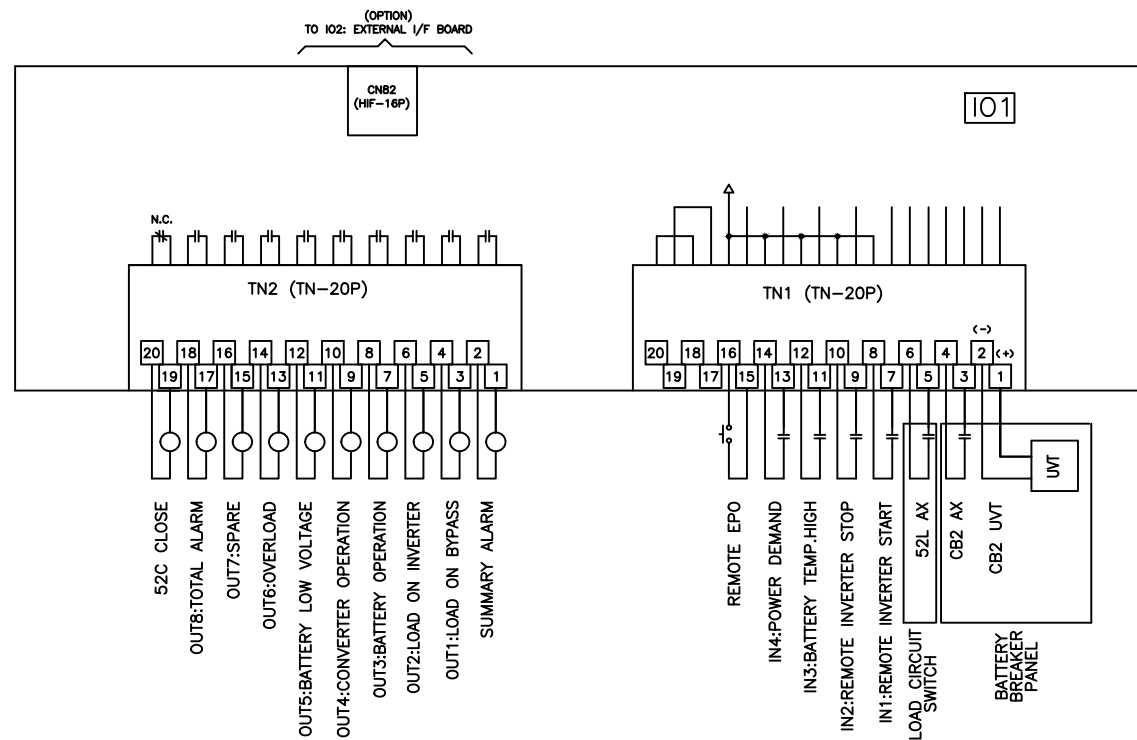
**MITSUBISHI ELECTRIC POWER PRODUCTS, INC.**  
 WARRENDALE, PA.  
 TITLE: 9900B 750kVA UPS STANDARD CONFIGURATION  
 DWG. No. UD-100116 SHEET 4 OF 6 REV: 13



750kVA 750kW UPS MODULE

REVISIONS
0 RELEASED FOR USE NRR 6/13/11
01 ELECTRICAL SCHEMATIC REVISED JMB 3/12/12
02 BUS ELEVATIONS REVISED JMB 5/04/12
03 GENERAL REVISIONS NRR 6/27/12
04 REVISED CONDUIT ENTRY RJM 7/13/12
05 REVISED DC GROUND SPS 12/10/13
6. REVISED MOUNTING HOLES RAL 5/7/14
7. GENERAL TEXT REVISION NRR 12/30/14
8. GENERAL TEXT REVISION GDJ 2/19/15
9. GENERAL TEXT REVISION GDJ 7/15/15
10 CHANGED TEXT ON SHEET 2 OF 6 AJK 8/18/17
11 GENERAL TEXT REVISION JM 3/6/18
12 UPDATED WEIGHT TO 4.525; UPDATED PER ECN 1325 ZZAJAC 6/13/19
13 CHANGED HEIGHT FOR NEW FAN ZZAJAC 6/27/22

DIM. IN: INCHES	SCALE: NTS	DRAFTER: T.DIEBLE	DATE: 06/03/11
<small>PROPRIETARY THIS DOCUMENT IS PROPERTY OF MITSUBISHI ELECTRIC POWER PRODUCTS INC. AND CONTAINS PROPRIETARY AND CONFIDENTIAL INFORMATION WHICH MUST NOT BE DUPLICATED, USED OR DISCLOSED OTHER THAN AS EXPRESSLY AUTHORIZED BY MITSUBISHI ELECTRIC POWER PRODUCTS INC.</small>		CHECKED: N.RIEMER	DATE: 06/03/11
		ENGINEER: N.RIEMER	DATE: 06/03/11
		APPROVED:	DATE:
REF. DWG. No.	FILE LOCATION:		
<b>MITSUBISHI ELECTRIC POWER PRODUCTS, INC. WARRENDALE, PA.</b>			<b>TITLE: 9900B 750kVA UPS STANDARD CONFIGURATION</b>
DWG No. UD-100116 SHEET 5 OF 6			REV: 13



UPS CONNECTION DIAGRAM

REVISIONS
0 RELEASED FOR USE NRR 6/13/11
01 ELECTRICAL SCHEMATIC REVISED JMB 3/12/12
02 BUS ELEVATIONS REVISED JMB 5/04/12
03 GENERAL REVISIONS NRR 6/27/12
04 REVISED CONDUIT ENTRY RJM 7/13/12
05 REVISED DC GROUND SPS 12/10/13
6 REVISED MOUNTING HOLES RAL 5/7/14
7 GENERAL TEXT REVISION NRR 12/30/14
8 GENERAL TEXT REVISION GDJ 2/19/15
9 GENERAL TEXT REVISION GDJ 7/15/15
10 CHANGED TEXT ON SHEET 2 OF 6 AJK 8/18/17
11 GENERAL TEXT REVISION JM 5/6/18
12 UPDATED WEIGHT TO 4.525; UPDATED PER ECR 1325 ZZAJAC 6/3/19
13 CHANGED HEIGHT FOR NEW FAN ZZAJAC 6/27/22

DIM. IN: INCHES	SCALE: NTS	DRAFTER: T.DIEBLE	DATE: 06/03/11
<small>PROPRIETARY THIS DOCUMENT IS PROPERTY OF MITSUBISHI ELECTRIC POWER PRODUCTS INC. AND CONTAINS PROPRIETARY AND CONFIDENTIAL INFORMATION WHICH MUST NOT BE DUPLICATED, USED OR DISCLOSED OTHER THAN AS EXPRESSLY AUTHORIZED BY MITSUBISHI ELECTRIC POWER PRODUCTS INC.</small>		CHECKED: N.RIEMER	DATE: 06/03/11
		ENGINEER: N.RIEMER	DATE: 06/03/11
		APPROVED:	DATE:
REF. DWG. No.	FILE LOCATION:		

**MITSUBISHI ELECTRIC POWER PRODUCTS, INC.**  
 WARRENDALE, PA.  
 TITLE: **9900B 750kVA UPS STANDARD CONFIGURATION**  
 DWG No. **UD-100116** SHEET 6 OF 6 REV: **13**